

**SERVICE MANUAL - MANUALE DI SERVIZIO  
MANUEL DE SERVICE - BEDIENUNGSANLEITUNG**



# **SDE 18**

**R 134a**

Ice cubers

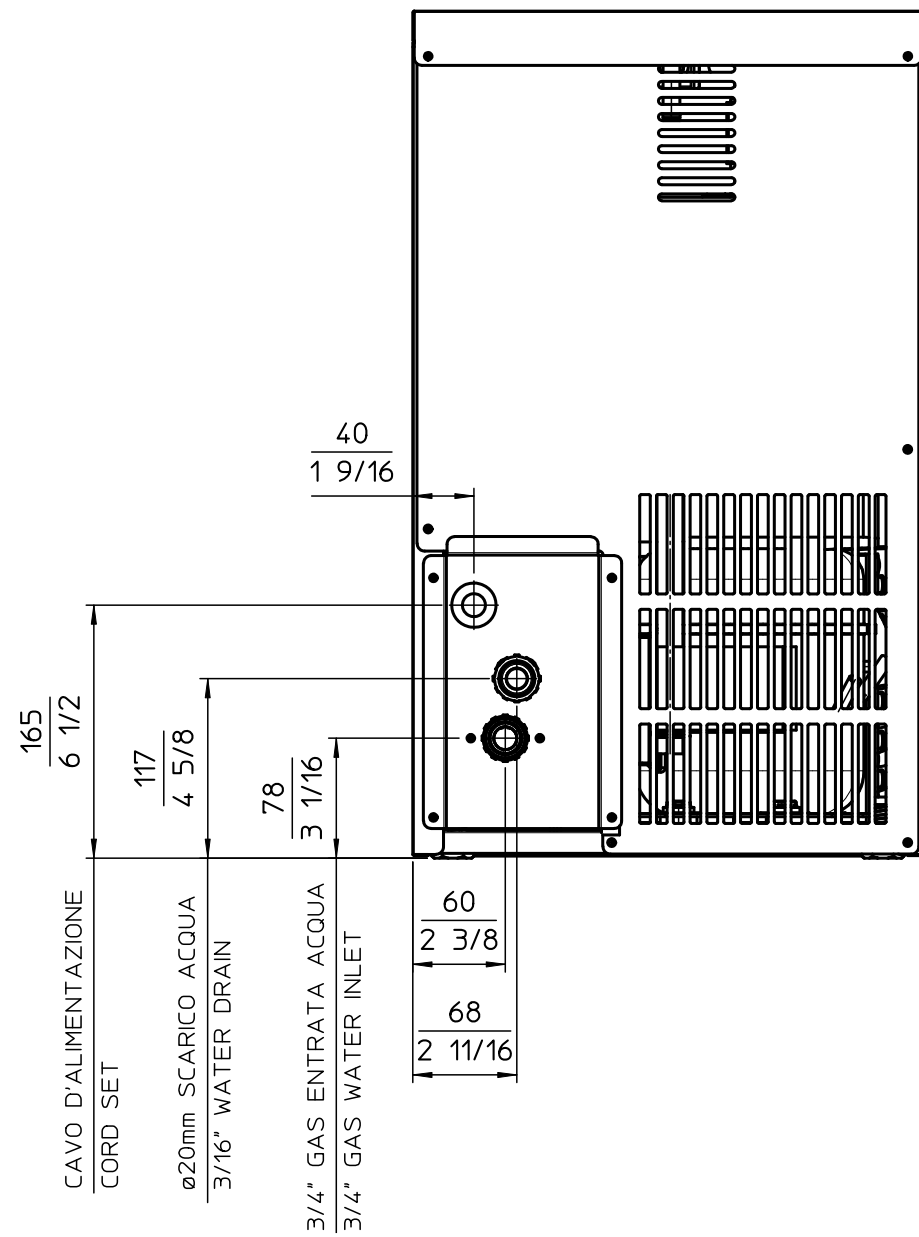
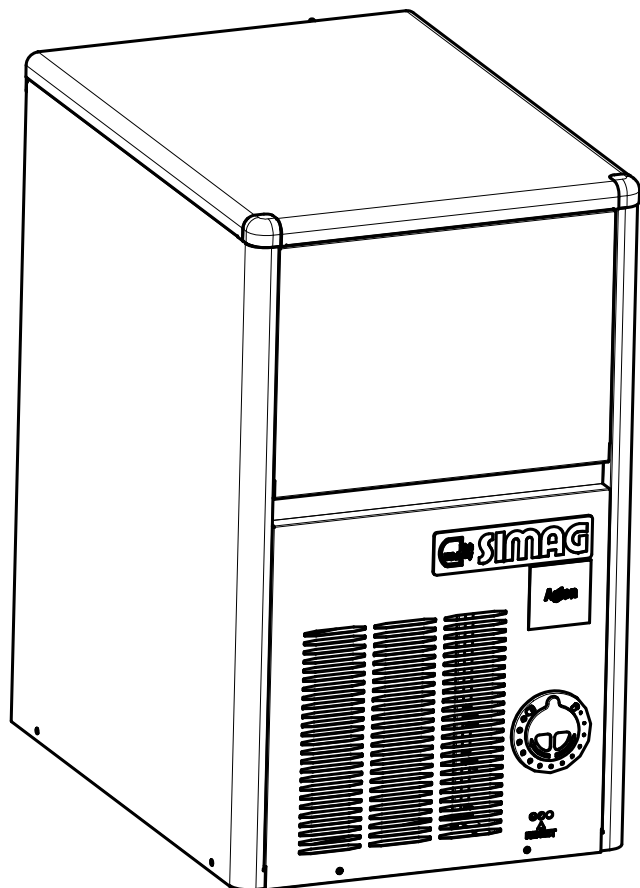
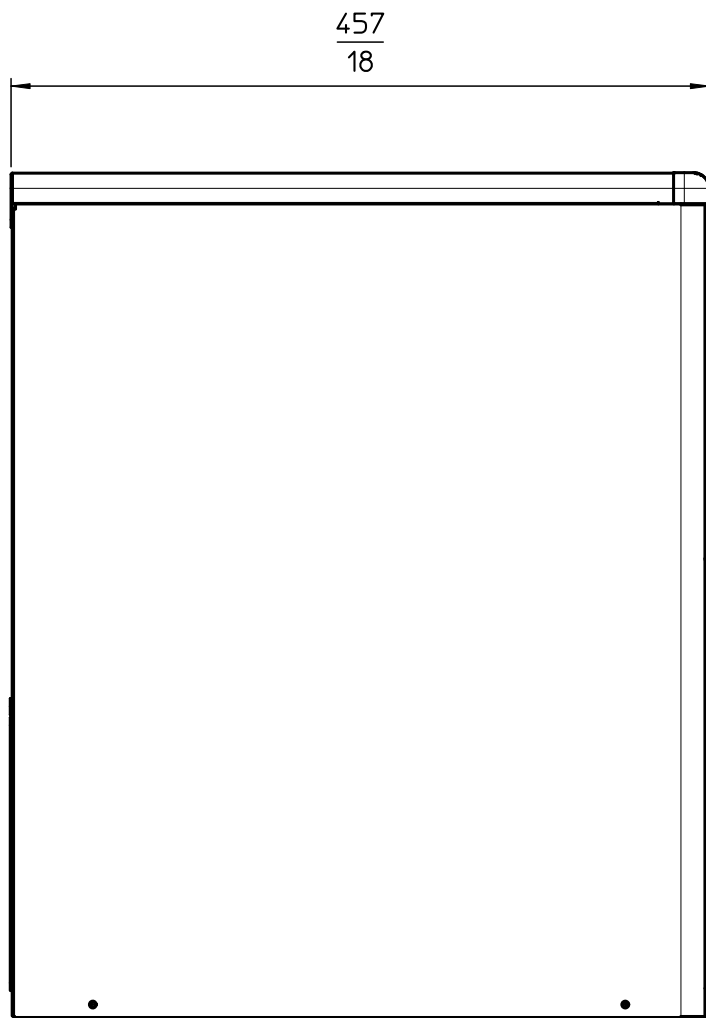
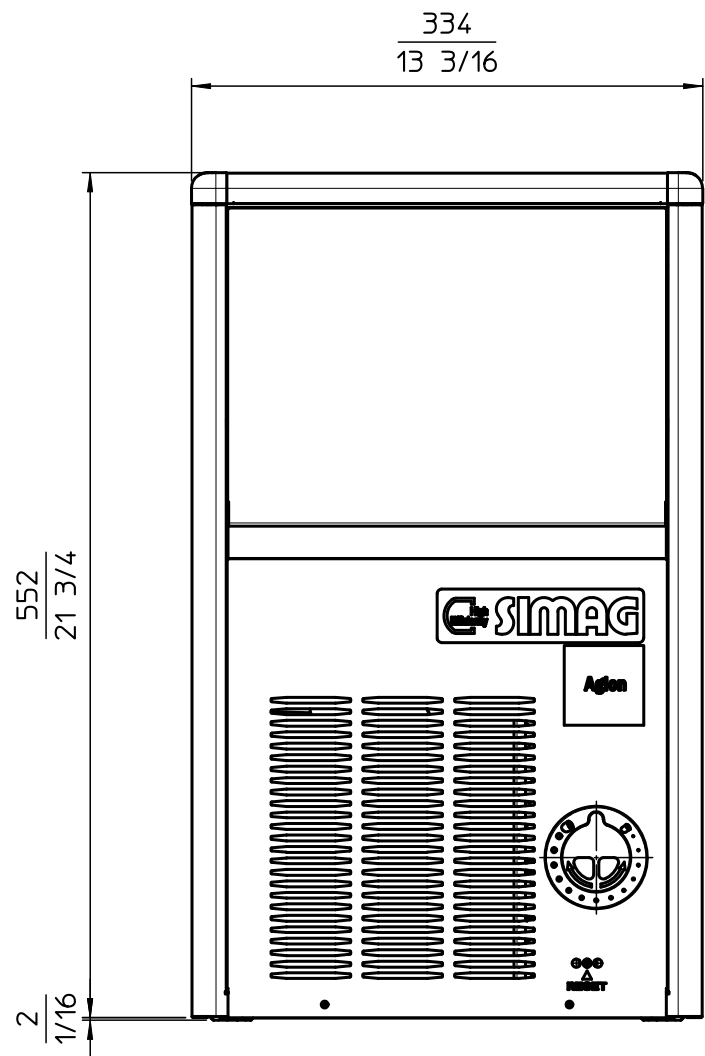
Fabbricatori  
di ghiaccio a cubetti

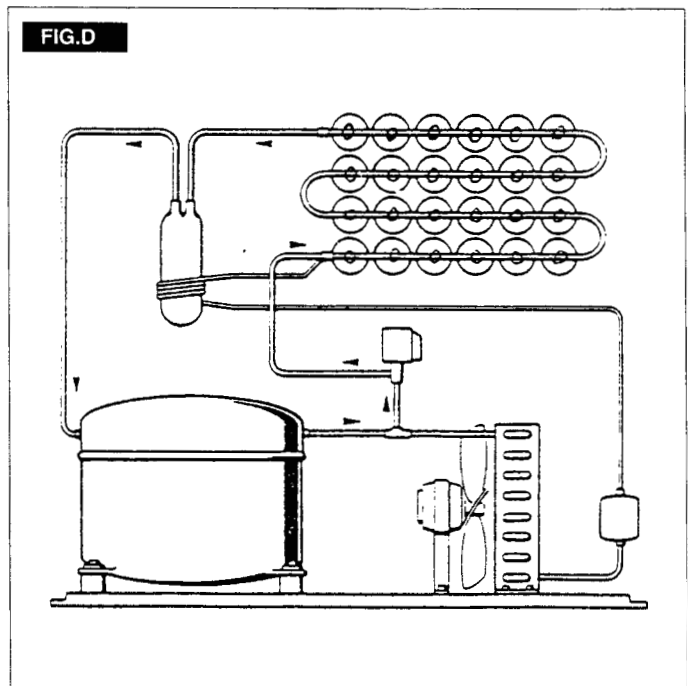
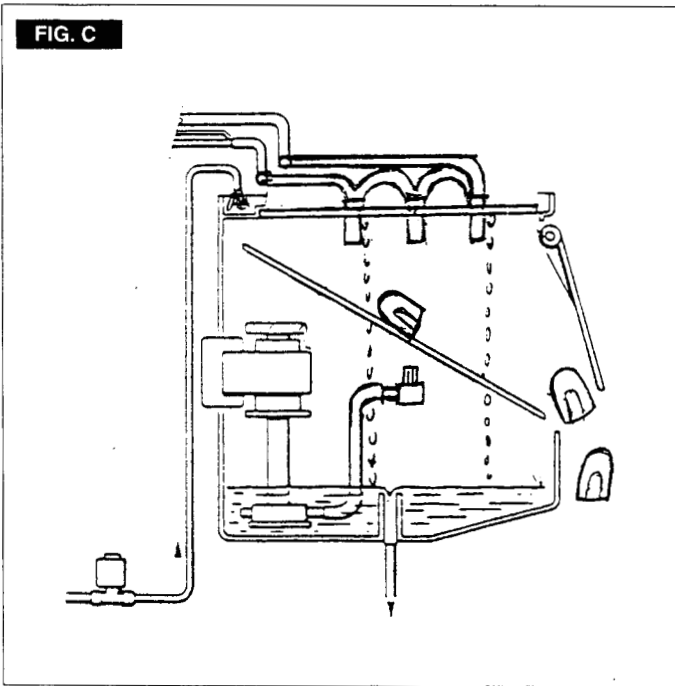
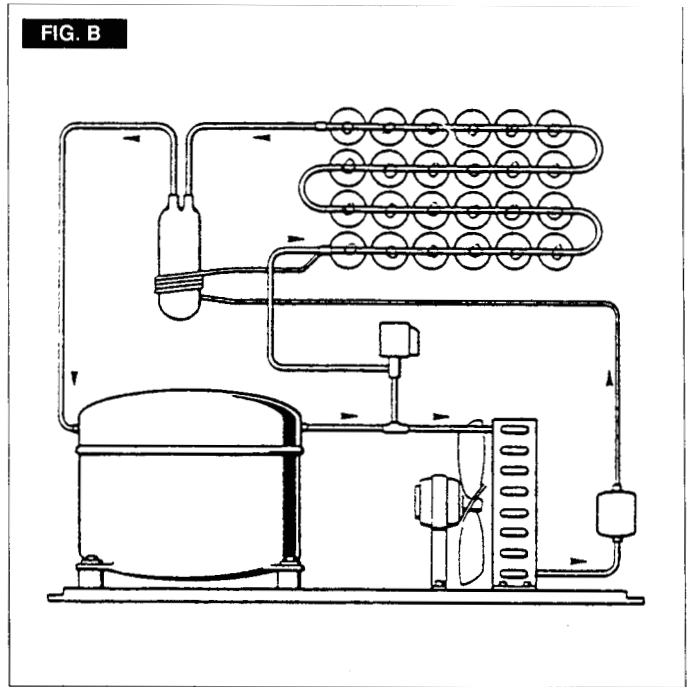
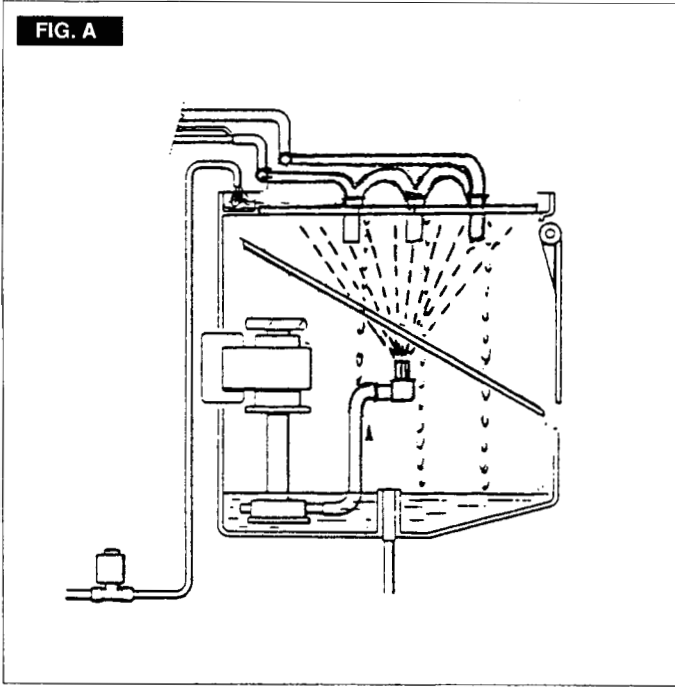
Machines á glaçons

Kegeleisbereiter

TABLE OF CONTENTS	PAGE	INDICE	PAG	TABLE DES MATIERES	PAGE	INHALT	SEITE
GENERAL INFORMATION AND INSTALLATION	1	INFORMAZIONI GENERALI ED INSTALLAZIONE	8	INFORMATIONS GENERALES ET INSTALLATION	15	ALLGEMEINES UND INSTALLATION	22
Introduction	1	Introduzione	8	Introduction	15	Einleitung	22
Unpacking and inspection	1	Disimballaggio ed ispezione	8	Déballage et examen	15	Auspacken und Inspektion	22
Location and levelling	1	Posizionamento e livellamento	10	Logement et mise de niveau	15	Maschinenplatz und lotgerechte Aufstellung	28
Electrical connection	1	Collegamenti elettrici	9	Branchement électrique	15	Elektrische Anschlüsse	23
Water supply and drain connection	2	Alimentazione idraulica e scarico	9	Branchement d'arrivée et d'évacuation eau	16	Wasserversorgung und Abflußleitungen	23
Final check list	3	Controllo finale	10	Liste de contrôle final	16	Schlußkontrollen	24
Installation practice	3	Schema di installazione	12	Schema d'installation	17	Installation	24
OPERATING INSTRUCTION	4	ISTRUZIONI DI FUNZIONAMENTO	11	MISE EN SERVICE	18	BETRIEBSANLEITUNG	25
Start up	4	Avviamento	11	Démarrage	18	Inbetriebnahme	25
Operational checks	4	Controlli durante il funzion.	11	Contrôle pendant le fonctionn.	18	Kontrolle bei Betrieb	25
OPERATING PRINCIPLES	5	PRINCIPIO DI FUNZIONAMENTO	12	PRINCIPE DE FONCTIONNEMENT	19	FUNKTIONSSYSTEME	26
Freezing cycle	5	Ciclo di congelamento	12	Cycle de congélation	19	Gefrierprozess	26
Harvest cycle	6	Ciclo di scongelamento	12	Cycle de démoulage	19	Abtauprozess	26
CLEANING INSTRUCTIONS OF WATER SYSTEM	7	ISTRUZIONI PER LA PULIZIA DEL CIRCUITO IDRAULICO	14	INSTRUCTION DE NETTOYAGE DU CIRCUIT HYDRAULIQUE	22	WARTUNGS UND REINIGUNGSANLEITUNGEN	28

b)





d)

**TECHNICAL SPECIFICATIONS - SPECIFICHE TECNICHE - DONNÉES TECHNIQUE - TECHNISCHE ANGABEN**

	<b>SDE 18 A</b>	<b>SDE 18 W</b>
Electric voltage Alimentazione elettrica Alimentation électrique Normale Netzspannung	230/50/1 -10 ÷ +10%	230/50/1 -10 ÷ +10%
Condensation Condensazione Condensation Kühlung	Air Aria Air Luft	Water Acqua Eau Wasser
Bin capacity (kg) Capacità contenitore (kg) Capacité bac glaçons (kg) Speicher Kapazität (kg)	4	4
Net weight (kg) Peso netto (kg) Poids net (kg) Netto Gewicht (kg)	28	28
Cubes per cycle Cubetti per ciclo Glaçons par cycle Würfel per Fase	10	10
Compressor power HP Potenza compressore CV Puissance compresseur CV Kompressorleistung PS	1/6	1/6
Running amps Amperaggio di marcia Ampérage en marche Ampere	1,2	1,2
Start amps Amperaggio d'avv. Ampérage de démarr. Start Ampere	6,5	6,5
Power (Watts) Potenza (Watt) Puissance (Watts) Leistung (Watt)	280	280
Power cons. in 24 hrs (Kwh) Consumo elettr. in 24 ore (Kwh) Cons. electr. en 24 hrs (Kwh) Stromverbrauch in 24 Std. (kWh)	5,3	4,4
Wire size (mm <sup>2</sup> ) Sezione cavi (mm <sup>2</sup> ) Section fils (mm <sup>2</sup> ) Kabelanzahl (mm <sup>2</sup> )	3 x 1	3 x 1
Water consumption (lt/hr) Consumo acqua (lt/ora) Consumation eau (lt/hr) Wasserverbrauch (lt/std)	1,9	15,8
Refrig. charge R 134 A (gr) Carica refrig. R 134 A (gr) Charge refrig. R 134 A (gr) Kühlmittel - Füll. R 134 A (gr)	170	195
Refrigerant metering device Disp. espansione refrigerante Défente du Réfrigérant Kältemittel - Expansionssystem	Capillary tube Tubo capillare Tube Capillaire Kapillarrohr	Capillary tube Tubo capillare Tube Capillaire Kapillarrohr

Water - Acqua - Eau - Wasser: 15°C (60°F)

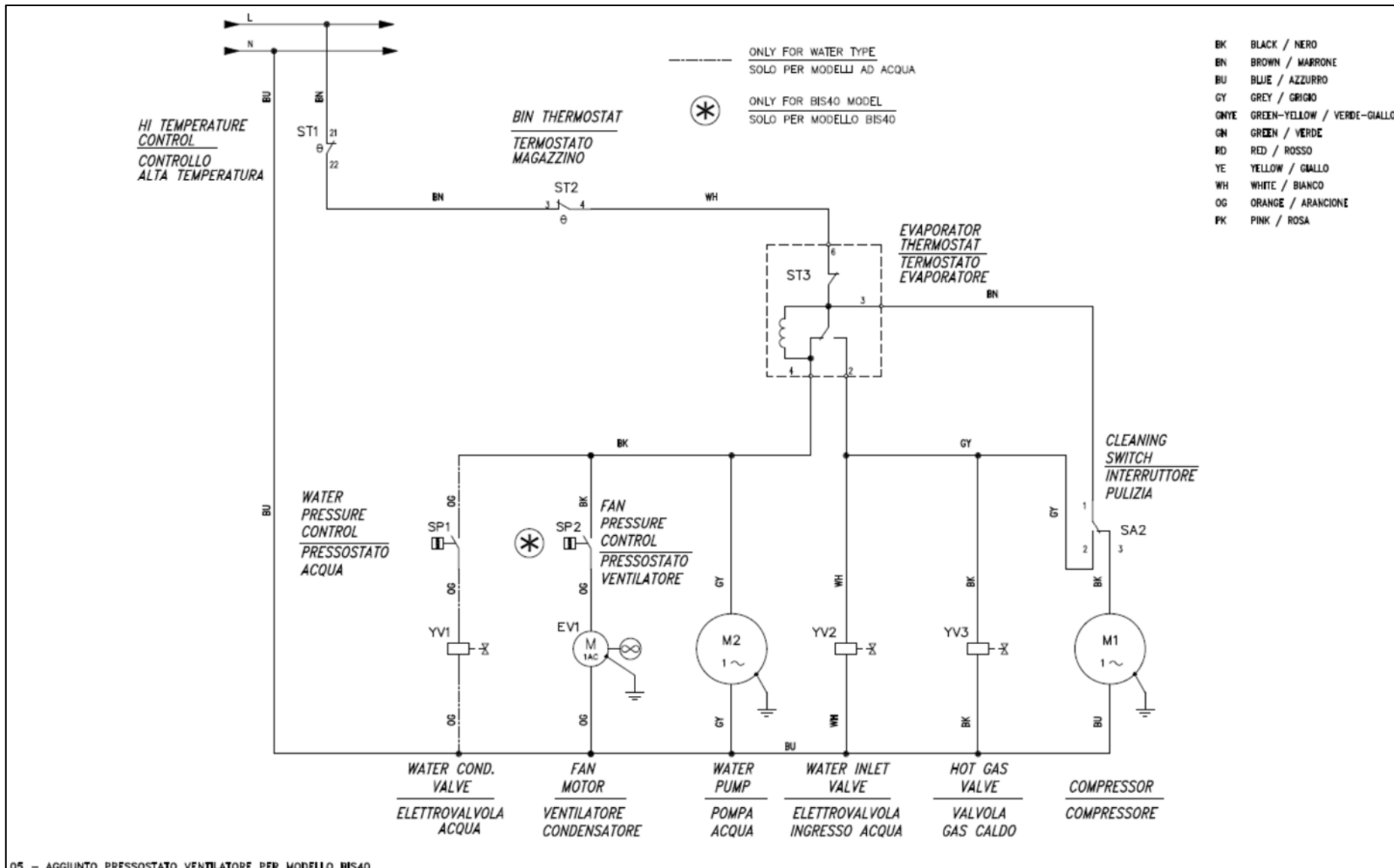
Envir. - Amb. - Amb. - Raum: 21°C (84°F)

**OPERATING PRESSURES - PRESSIONI DI FUNZIONAMENTO - PRESSIONES DE FONCTIONNEMENT - BETRIEBSDRÜCKE**

	Discharge pressure - Pressione di mandata Haute pression - Hochdruckbereich	Suction pressure - Pressione di aspirazione Basse pression - Niederdruck
	Freezing cycle - Ciclo di congelamento Cycle de Congélation - Gefrierfase	End of freezing cycle - Fine ciclo di congelamento Fin du cycle de congélation - Ende der Gefrierfase
Air cooled - Raffr. ad aria Refrroid. à air - Luftgekühlt	<b>SDE 18 A</b> 7.5 ÷ 10.5 bar	0,2 bar
Water cooled - Raffr. ad acqua Refrroid. à eau - Wassergekühlt	<b>SDE 18 W</b> 6 ÷ 11 bar	0.1 bar

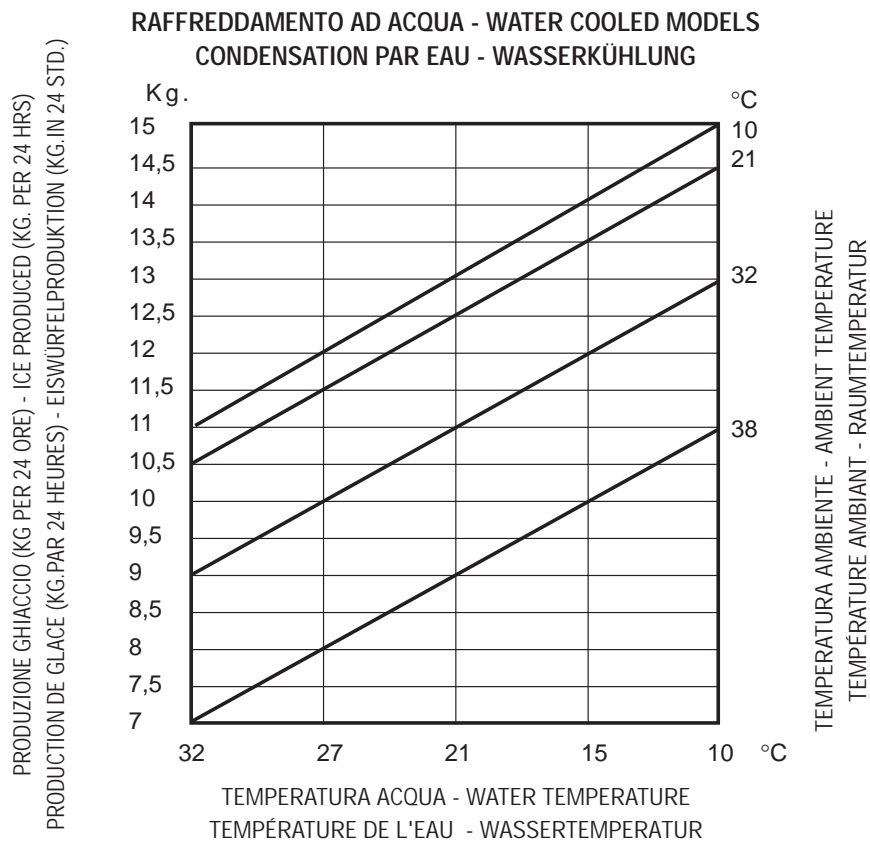
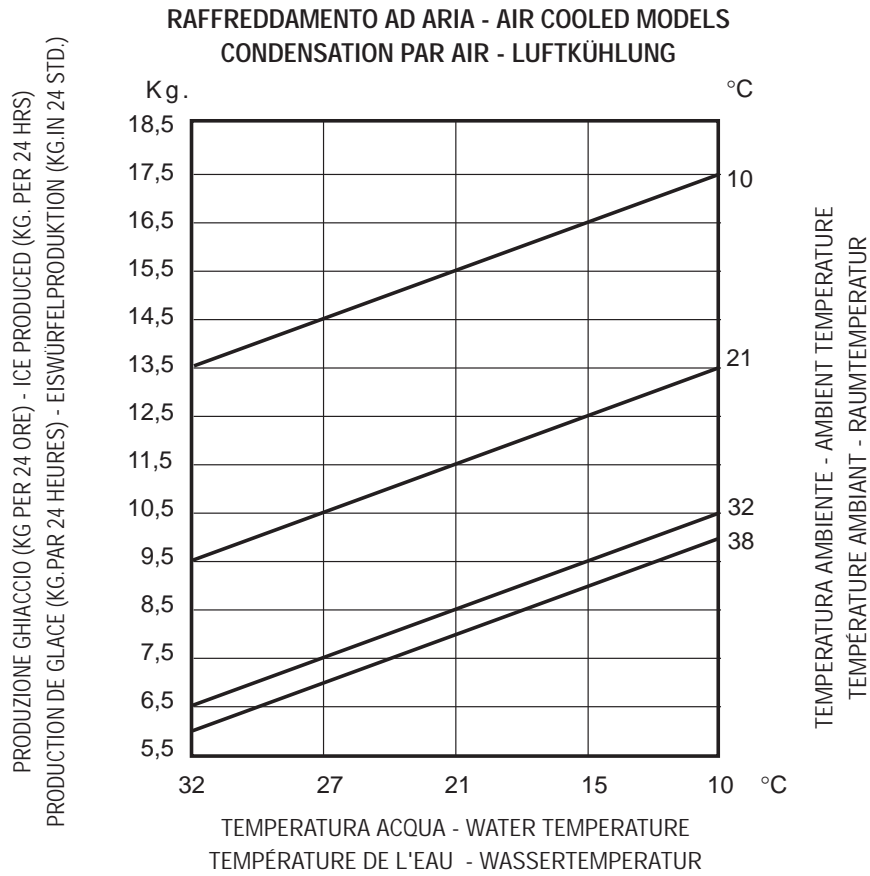
WIRING DIAGRAM - SCHEMA ELETTRICO - SCHÉMA ÉLECTRIQUE – SCHALTUNGSSCHEMA

AIR & WATER COOLED - RAFFREDDAMENTO AD ARIA ED AD ACQUA  
 REFRIGERISSEMENT PAR AIR ET PAR EAU - LUFT UND WASSERGEKÜHLT



f)

Capacità di produzione - Ice making capacity - Capacité de production - Eisproduktionskapazität



# GENERAL INFORMATION AND INSTALLATION

## A. INTRODUCTION

These Cubers are quality designed, engineered and manufactured.

Their ice making systems are thoroughly tested providing the utmost in flexibility to fit the needs of a particular user.

These icemakers have been engineered to our own rigid safety and performance standards.

**NOTE.** *To retain the safety and performance built into this icemaker, it is important that installation and maintenance be conducted in the manner outlined in this manual.*

## B. UNPACKING AND INSPECTION

1. Visually inspect the exterior of the packing and skid. Any severe damage noted should be reported to the delivering carrier and a concealed damage claim form filled in subject to inspection of the contents with the carrier's representative present.
2.
  - a) Cut and remove the plastic strip securing the carton box to the skid.
  - b) Cut open the top of the carton and remove the polystyrene protection sheet.
  - c) Pull out the polystyrene posts from the corners and then remove the carton.
3. Remove the front and the rear panels of the unit and inspect for any concealed damage. Notify carrier of your claim for the concealed damage as stated in step 1 above.
4. Remove all internal support packing and masking tape.
5. Check that refrigerant lines do not rub against or touch other lines or surfaces, and that the fan blade moves freely.
6. Use clean damp cloth to wipe the surfaces inside the storage bin and the outside of the cabinet.
7. See data plate on the rear side of the unit and check that local main voltage corresponds with the voltage specified on it.

**CAUTION.** *Incorrect voltage supplied to the icemaker will void your parts replacement program.*

8. Remove the manufacturer's registration card from the inside of the User Manual and fill in all parts including: Model and Serial Number taken from the data plate. Forward the completed self-addressed registration card to the factory.

## C. LOCATION AND LEVELLING

**WARNING.** *This Ice Cuber is designed for indoor installation only. Extended periods of operation at temperatures exceeding the following limitations will constitute misuse under the terms of the Manufacturer's Limited Warranty resulting in LOSS of warranty coverage.*

1. Position the unit in the selected permanent location. Criteria for selection of location include:
  - a) Minimum room temperature 10 °C and maximum room temperature 43°C.
  - b) Water inlet temperatures: minimum 5C and maximum 35°C.
  - c) Well ventilated location for air cooled models. Clean the air cooled condenser at frequent intervals.
  - d) Service access: adequate space must be left for all service connections through the rear of the ice maker. A minimum clearance of 15 cm (6") must be left at the sides of the unit for routing cooling air drawn into and exhausted out of the compartment to maintain proper condensing operation of air cooled models.

**NOTE.** *With the unit in "built-in" conditions, the ice production is gradually reduced in respect to the levels shown in the graph. The daily ice-making capacity is directly related to the condenser air inlet temperature, water temperature and age of the machine. To keep your **CUBER** at peak performance levels, periodic maintenance checks must be carried out as indicated on Cleaning Section of this manual.*

2. Level the unit in both the left to right and front to rear directions.

## D. ELECTRICAL CONNECTIONS

See data plate for current requirements to determine wire size to be used on electrical connections. All icemakers require a solid earth wire.



The ice machines are supplied from the factory completely pre-wired and require only electrical power connections to wire cord provided on the back of the unit.

Make sure that the ice machine is connected to its own circuit and individually fused (see data plate for fuse size).

The maximum allowable voltage variation should not exceed -10% and +10% of the data plate rating. Low voltage can cause faulty functioning and may be responsible for serious damage to the overload switch and motor windings.

**NOTE.** *All external wiring should conform to national, state and local standards and regulations. Check voltage on the line and the ice maker's data plate before connecting the unit.*

## E. WATER SUPPLY AND DRAIN CONNECTIONS

### General

When choosing the water supply for the ice cuber consideration should be given to:

- a) Length of run
- b) Water clarity and purity
- c) Adequate water supply pressure

Since water is the most important single ingredient in producing ice you cannot emphasize too much the three items listed above.

Low water pressure, below 1 bar may cause malfunction of the ice maker unit.

Water containing excessive minerals will tend to produce cloudy coloured ice cubes, plus scale built-up on parts of the water system.

### Water supply

Connect the 3/4" male fitting of the solenoid water inlet valve, using the flexible tubing supplied, to the cold water supply line with regular plumbing fitting and a shut-off valve installed in an accessible position between the water supply line and the unit.

### Water drain

The recommended drain tube is a plastic or flexible tube with 18 mm (3/4") I.D. runs to an open trapped and vented drain. When the drain is a long run, allow 3 cm pitch per meter (1/4" pitch per foot).

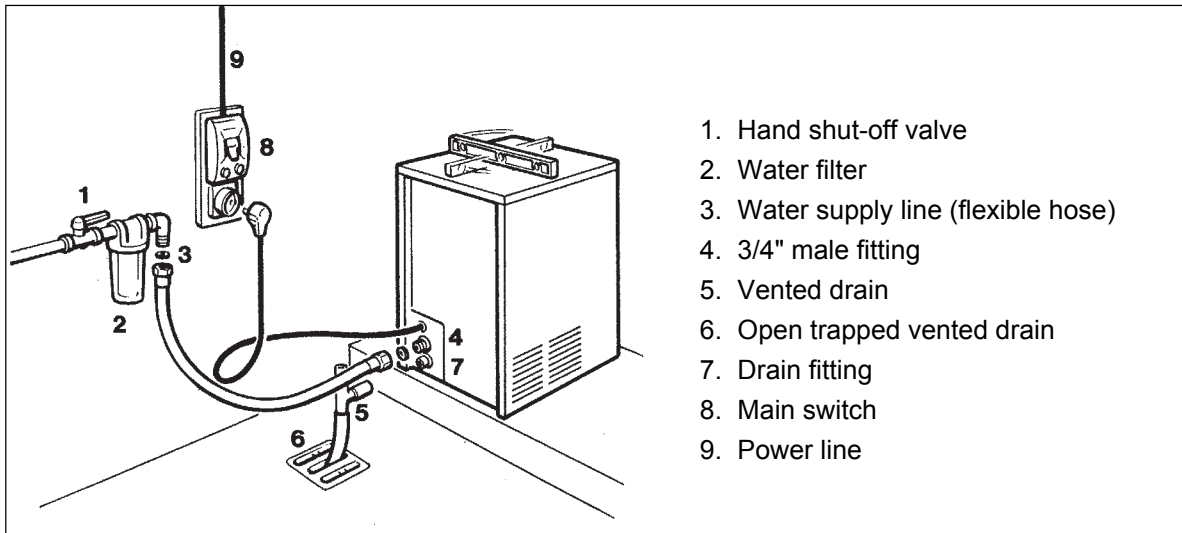
On water cooled versions, the water drain line from the condenser is internally connected with the drain fitting of the unit.

A vertical open vent, at the unit drain connection, is also required for proper sump drainage.

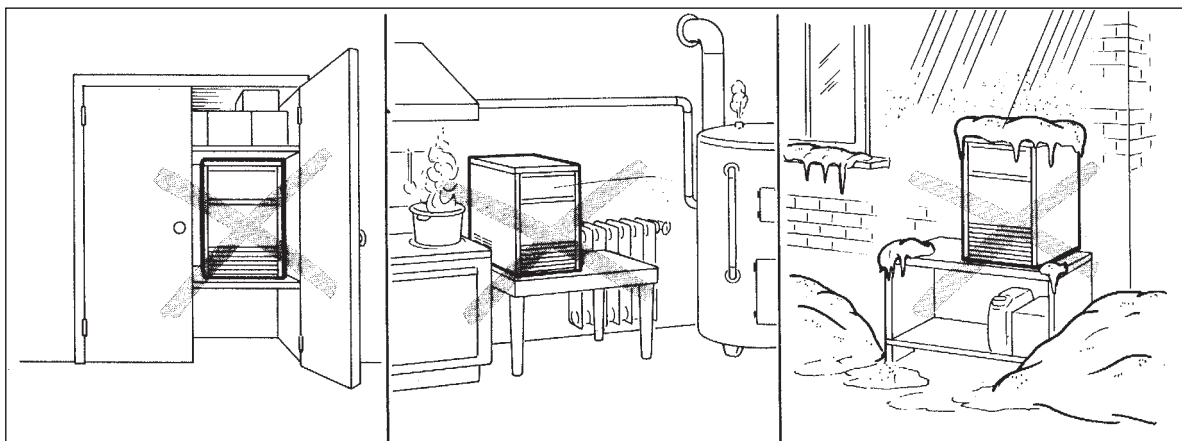
**NOTE.** *The water supply and the water drain must be installed to conform with the local code. In some case a licensed plumber and/ or a plumbing permit is required.*

**F. FINAL CHECK LIST**

1. Is the unit in a room where ambient temperatures are within a minimum of 10°C even in winter months?
2. Is there at least a 15 cm (6") clearance around the unit for proper air circulation?
3. Is the unit level? (IMPORTANT)
4. Have all the electrical and plumbing connections been made, and is the water supply shut-off valve open?
5. Has the voltage been tested and checked against the data plate rating?
6. Has the water supply pressure been checked to ensure a water pressure of at least 1 bar (14 psi).
7. Check all refrigerant lines and conduit lines to guard against vibrations and possible failure.
8. Have the bin liner and cabinet been wiped clean?
9. Has the owner/user been given the User Manual and been instructed on the importance of periodic maintenance checks?
10. Has the Manufacturer's registration card been filled in properly? Check for correct model and serial number against the serial plate and mail the registration card to the factory.
11. Has the owner been given the name and the phone number of the authorized Service Agency serving him?

**G. INSTALLATION PRACTICE**

**WARNING.** This icemaker is not designed for outdoor installation and will not function in ambient temperatures below 10°C or above 43°C. This icemaker will malfunction with water temperatures below 5°C or above 35°C.



## OPERATING INSTRUCTIONS

### START UP

After having correctly installed the ice maker and completed the plumbing and electrical connections, perform the following "Start-up" procedure.

- A. Remove the unit front panel and locate the cleaning switch on the control box.
- B. Set the cleaning switch in the cleaning position. This will close the electrical circuit to the water inlet valve and to the hot gas valve
- C. Switch ON the power line disconnect switch. Unit will start up in defrost cycle mode. During this cycle the components energized are:

#### WATER INLET SOLENOID VALVE

#### HOT GAS SOLENOID VALVE

The **Water pump** and the **Fan motor** are also in operation.

- D. Let unit stay in defrost cycle for about three/four minutes till water is coming out from the drain hose, then move the cleaning switch to the operation position.

**NOTE.** During the defrost cycle, the water inlet solenoid valve is energized. The water flows through the valve to the back side of the evaporator platen and then down to fill up the icemaker sump tank for the next freezing cycle.

### OPERATIONAL CHECKS

- E. The unit now starts its first freezing cycle with the following components in operation:

#### COMPRESSOR

#### WATER PUMP

#### FAN MOTOR in air cooled version

- F. Check to see through the ice discharge opening that the spray system is correctly seated and that the water jets uniformly reach the inverted molds; also make sure that the plastic curtain is hanging freely and there is not excessive water spilling through it.

- G. The ice making process takes place thereby, with the water sprayed on the inverted molds that gets gradually refrigerated by the heat exchanged with the refrigerant flowing into the evaporator serpentine.

- H. When the evaporator temperature reaches a preset value the evaporator thermostat or cube size control changes its contacts; the freezing cycle ends and starts the defrost or harvest cycle.

- I. Check, during the first defrost/harvest cycle, that the incoming water flows correctly into the sump reservoir in order to re-fill it and the surplus overflows through the overflow drain tube.

- J. Check the texture, the right weight and dimension of ice cubes just released. If not, wait for the second defrost/harvest cycle before performing any adjustment.

- K. If required, the length of the freezing cycle can be modified by turning with very little movements (6 degree or 1 minute each time) the knob of the cube size control evaporator thermostat located in front of the control box until the desired size is achieved. If the ice cubes are shallow and cloudy, it is possible that the ice maker runs short of water during the end of the freezing cycle or, the quality of the supplied water requires the use of an appropriate water filter or conditioner.

- L. During the defrost or harvest cycle hold a handful of ice cubes against the bulb of the storage bin thermostat; the icemaker switch OFF in about one-two minutes. Take out the ice from the storage bin thermostat. The ice maker should restart automatically in three-four minutes.

**NOTE.** The bin thermostat is factory set at 1°C OUT and 4°C IN.

- M. Re-fit the unit front panel then instruct the owner/user on the general operation of the ice machine and about the cleaning and care it requires.

## PRINCIPLE OF OPERATION

### How it works

In the ice makers the water used to make the ice is kept constantly in circulation by a water pump which primes it to the spray system nozzles from where it is diverted on the inverted molds of the evaporator (Fig. A).

A small quantity of the sprayed water freezes into ice; the rest of it cascades by gravity into the sump assembly below for recirculation.

### FREEZING CYCLE (Fig. B)

The hot gas refrigerant discharged out from the compressor reaches the condenser where, being cooled down, condenses into liquid. Flowing into the liquid line it passes through the drier/filter, then it goes all the way through the capillary tube where it loses its pressure.

Next the refrigerant enters into the evaporator serpentine (which has a larger diameter than the capillary tube) and starts to boil off; this reaction is emphasized by the heat transferred by the sprayed water.

The refrigerant then increases in volume and changes entirely into vapor.

The vapor refrigerant then passes through the suction accumulator (used to prevent that any small amount of liquid refrigerant may reach the compressor) and through the suction line. In both the accumulator and the suction line it exchanges heat with the refrigerant flowing into the capillary tube (warmer), before to be sucked in the compressor and to be recirculated as hot compressed refrigerant gas.

The freezing cycle is controlled by the evaporator thermostat which has its bulb in contact with the evaporator serpentine.

The electrical components in operation during the freezing cycle are:

#### COMPRESSOR

#### WATER PUMP

#### FAN MOTOR (in air cooled version)

The refrigerant head pressure is gradually reduced from a value of approx. **10,5 bars** at the beginning of the freezing cycle with the unit at 21°C ambient temperature, to a minimum value of approx. **6 bars** just at the end of the freezing cycle few seconds before the starting of the defrost cycle.

The declining of the pressure is related to the reduction of the evaporating pressure, caused by the progressive growth of the ice thickness on the inverted molds and to the flow of air drawn through the air cooled condenser by the fan motor.

The above values are in relation as well to the ambient temperature of the ice maker site and they are subject to rise with the increase of this temperature.

At the start of the freezing cycle the refrigerant suction or low-pressure lowers rapidly to **1.0 bar** then it declines gradually - in relation with the growing of the ice thickness - to reach, at the end of the cycle, approx. **0 ÷ 0.1 bar** with the cubes fully formed on the molds. On the models water cooled version the high-pressure controls is used to intermittently energize a water solenoid valve located on the water supply line to the condenser.

### DEFROST OR HARVEST CYCLE (Fig. D)

When the temperature of the evaporator thermostat, in contact with the evaporator serpentine, drops to a pre-set value it changes its electrical contacts energizing the following components:

#### COMPRESSOR

#### WATER INLET SOLENOID VALVE

#### HOT GAS SOLENOID VALVE

The incoming water, passing through the water inlet valve and the flow control, runs over the evaporator platen and then flows by gravity through the interstices down into the sump/reservoir (Fig. C).

The water filling the sump/reservoir forces part of the surplus water from the previous freezing cycle to go out to the waste through the overflow pipe. This overflow limits the level of the sump water which will be used to produce the next batch of ice cubes.

Meanwhile the refrigerant, as hot gas discharged from the compressor, flows through the hot gas valve directly into the evaporator serpentine by-passing the condenser.

The hot gas circulating into the serpentine of the evaporator warms up the copper molds causing the harvest of the ice cubes. The ice cubes, released from the inverted molds, drop by gravity onto a slanted cube chute, then through a curtained opening they fall into the storage bin. When the temperature of the evaporator thermostat bulb reaches the value of  $+3 \div +4^{\circ}\text{C}$  their electrical contacts move back to the previous position activating a new freezing cycle and deenergizing both the hot gas and the water inlet valves (closed).

**NOTE.** *The length of the defrost/harvest cycle (not adjustable) changes according to the ambient temperature (shorter for high ambient temperature and longer for low one).*

## COMPONENTS DESCRIPTION

### A. WATER PUMP

The water pump operates continually throughout the freezing cycle.

The pump primes the water from the sump to the spray system and through the spray nozzles sprays it into the inverted cup molds to be frozen into crystal clear ice cubes.

It is recommended that the pump motor bearings be checked at least every six months.

### B. WATER INLET SOLENOID VALVE - 3/4 MALE FITTING

The water inlet solenoid valve is energized only during the defrost cycle.

When energized it allows a metered amount of incoming water to flow over the evaporator cavity to assist the hot gas in defrosting the ice cubes.

The water running over the evaporator cavity drops by gravity, through the dribbler interstices of the platen, into the sump reservoir.

### C. HOT GAS SOLENOID VALVE

The hot gas solenoid valve consists basically in two parts: the valve body and the valve coil.

Located on the hot gas line, this valve is energized by the contacts 3-2 of the evaporator thermostat during the defrost cycle.

During the defrost cycle the hot gas valve coil is activated so to attract the hot gas valve piston in order to give way to the hot gas discharged from compressor to flow directly into the evaporator serpentine to defrost the formed ice cubes.

### D. BIN THERMOSTAT

The bin thermostat control body is located in the front of control box behind the front louvered panel.

The thermostat sensing tube is located into a bulb holder on the side wall of the ice storage bin where it automatically shuts the icemaker OFF when in contact with the ice and re-starts the icemaker when the ice is removed. Factory settings are 1°C OUT and 4°C IN.

### E. CUBE SIZE CONTROL (EVAPORATOR THERMOSTAT)

The cube size control (evaporator thermostat) body is located in the front of control box behind the front louvered panel; it's basically a reverse acting temperature control which closes the contacts 3-2 when its temperature decreases and closes the opposite contacts 3-4 when the temperature rises.

The thermostat sensing bulb is located into a plastic tube (bulb holder) secured by two clips directly to the evaporator serpentine.

This control determines the length of the freezing cycle and correspondingly the size of the cubes. A lower setting will produce a larger cube (oversize) while a higher setting a smaller cuber (shallow size).

When closed on contacts 3-2 it activates the defrost or harvest cycle components.

The cube size control is set up in the factory (knob in the black dot position) and doesn't require any adjustment when the ambient temperature remains between 10 and 35 °C.

**NOTE.** *The thermostat is very sensitive! By a little movement of the knob correspond a big size change of the ice cubes. If necessary only, it's recommended to make max 1/20 of turn regulation each time.*

### F. FAN MOTOR

The fan motor is electrically connected in parallel to the water pump and it operates continuously only during the freezing cycle keeping the proper head pressure by circulating air through the condenser fins.

### G. COMPRESSOR

The hermetic compressor is the heart of the refrigerant system and it is used to circulate and retrieve the refrigerant throughout the entire system. It compresses the low pressure refrigerant vapor causing its temperature to rise and become high pressure hot vapor (hot gas) which is then released through the discharge valve.

### H. WATER SPRAY SYSTEM

Through its nozzles it sprays the water on each individual inverted mold to be frozen into ice.

### I. SAFETY HI TEMPERATURE THERMOSTAT

Located on the bottom part of the control box it is a manual reset switch that trips OFF the operation of the machine when its bulb (located on the liquid line just before the drier) reaches the temperature of 80°C.

### J. CLEANING SWITCH

Located on the bottom left side of the control box is used to energize the water inlet and the hot gas valves so to charge the water into the sump tank of the machine.

### K. HI PRESSURE CONTROL

Used on water cooled ice makers it functions to maintain the head pressure within the preset values of 7,5 ÷ 10,5 bars, by intermittently activating the water inlet valve to the condenser.

### L. WATER INLET SOLENOID VALVE - 3/4 MALE FITTING

A second water inlet solenoid valve, operating through an automatic hi-pressure control, is used on water cooled versions to supply water to the condenser.

When activated it supplies a metered amount of water to the condenser in order to limit its temperature and the refrigerant operating high pressure.

## MAINTENANCE AND CLEANING INSTRUCTIONS

### **CLEANING INSTRUCTIONS OF WATER SYSTEM**

1. Remove the front and top panels to gain access either to the control box and to the evaporator.
2. Make sure that all ice cubes have been released from their molds, then switch off the unit.
3. Prepare the cleaning solution by diluting in a plastic container one or two liters of warm water (45°-50°C) with a 0,1-0,2 liters of Ice Machine Cleaner.

**WARNING. The Ice Machine Cleaner contains Phosphoric and Hydroxyacetic acids. These compounds are corrosive and may cause burns if swallowed, DO NOT induce vomiting. Give large amounts of water or milk. Call Physician immediately. In case of external contact flush with water. KEEP OUT OF THE REACH OF CHILDREN.**

4. Scoop out all the ice cubes stored into the bin in order to prevent them from being contaminated with the cleaning solution then flush out the water from the sump reservoir by removing the overflow stand-pipe.
5. Remove the plastic cup located on the bottom of sump/freezing chamber to drain out all water and scale deposits.



6. Remove the evaporator cover then slowly pour onto the evaporator platen the cleaning solution. With the help of a brush dissolve the most resistant and remote scale deposits in the platen.
7. Turn the CLEANING switch on "II-CLEAN", close the water tap and switch on the machine.
8. Allow the ice maker to operate for about 20 minutes.

**NOTE.** *The amount Cleaner and the time needed for the cleaning of water system depends of the water conditions.*

9. Switch OFF then flush out the cleaning solution from the sump reservoir then pour onto the evaporator cavity two or three liters of clean potable water to rinse the molds and the platen.
10. Switch ON the machine. The water pump is again in operation to circulate the water in order to rinse the entire water system.
11. Do the operation as per steps 8 and 9 twice so to be sure no more traces of descaling solution remains into the sump.
12. Pour on the upper side of the evaporator platen fresh water with a capfull of disinfectant solution then turn again the machine in normal operating mode so to sanitize all the water system for approx. 10 minutes.

**NOTE.** *Do not mix descaling with disinfectant solution to avoid the generation of a very aggressive acid.*

13. Flush out the disinfectant solution from the sump reservoir, open the water tap then switch on the machine.
14. When water starts overflowing through the drain line, set the switch to "operation" position "I-ON". The unit is now ready to resume normal operation.
15. Place again the evaporator cover and the unit service panels.
16. At completion of the freezing and harvest cycle make sure of proper texture and clearness of the ice cubes and that, they do not have any acid taste.

**ATTENTION.** *In case the ice cubes are cloudy-white and have an acid taste, melt them immediately by pouring on them some warm water. This to prevent that somebody could use them.*

17. Wipe clean and rinse the inner surfaces of the storage bin.

**REMEMBER.** *To prevent the accumulation of undesirable bacteria it is necessary to sanitize the interior of the storage bin with an anti-algae disinfectant solution every week.*

## INFORMAZIONI GENERALI ED INSTALLAZIONE

### A. INTRODUZIONE

I fabbricatori di ghiaccio in cubetti sono stati progettati e costruiti con un elevato standard qualitativo.

Essi vengono collaudati interamente per diverse ore e sono in grado di assicurare il massimo rendimento relativamente ad ogni particolare uso e situazione.

**NOTA.** *Per non compromettere o ridurre le caratteristiche di qualità e sicurezza di questo fabbricatore di ghiaccio si raccomanda, nell'effettuare l'installazione e le operazioni periodiche di manutenzione, di attenersi scrupolosamente a quanto prescritto in questo manuale.*

### B. DISIMBALLAGGIO ED ISPEZIONE

1. Ispezionare visivamente l'imballo esterno in cartone e il basamento in legno usati per la spedizione. Qualsiasi danno evidente sull'imballo esterno deve essere riferito allo spedizioniere; in questo caso, procedere ad ispezionare l'apparecchio con il rappresentante dello spedizioniere presente.

2. a) Tagliare e rimuovere i nastri in plastica che mantengono sigillato l'imballo di cartone.

b) Aprire la parte superiore dell'imballo e togliere i fogli e gli angolari protettivi di polistirolo.

c) Sollevare l'intero cartone sfilandolo dall'apparecchio.

3. Togliere il pannello frontale ed il pannello posteriore dell'apparecchio ed ispezionare lo stesso onde accertare se abbia subito danni. Notificare allo spedizioniere eventuali danni subiti come riportato al punto 1.

4. Togliere tutti i supporti interni usati per la spedizione e i nastri adesivi di protezione.

5. Controllare che le tubazioni del circuito refrigerante non tocchino altre tubazioni o superfici, e che il ventilatore giri liberamente.

6. Usando un panno pulito e umido, pulire le pareti interne del contenitore del ghiaccio e le superfici esterne dell'apparecchio.

7. Osservare i dati riportati sulla targhetta fissata alla parte posteriore del telaio vicino ai raccordi idraulici ed elettrici, e verificare che il voltaggio della rete elettrica disponibile corri-

sponda a quello riportato sulla targhetta dell'apparecchio.

**ATTENZIONE.** **Un errato voltaggio dell'alimentazione elettrica annullerà automaticamente il vostro diritto alla garanzia.**

8. Compilare la cartolina di garanzia posta all'interno del Manuale d'Uso, segnando sia il modello che il numero di serie dell'apparecchio rilevandolo dalla targhetta fissata al telaio. Spedire la cartolina debitamente compilata al costruttore.

### C. POSIZIONAMENTO E LIVELLAMENTO

**ATTENZIONE.** **Questo fabbricatore di ghiaccio è stato progettato per essere installato all'interno di locali in cui la temperatura ambiente non scenda mai al di sotto di 10°C né superi i 43°C. Periodi prolungati di funzionamento a temperature al di fuori dei seguenti limiti costituiscono cattivo uso secondo i termini di garanzia e fanno decadere automaticamente il vostro diritto alla garanzia.**

1. Posizionare l'apparecchio nel luogo di installazione definitivo.

I criteri per la sua scelta sono:

a) Minima temperatura ambiente 10 °C e massima temperatura ambiente 43°C.

b) Temperature dell'acqua di alimentazione: minima 5°C massima 35°C.

c) Luogo ben aerato per assicurare un efficace ventilazione all'apparecchio e quindi un corretto funzionamento del condensatore.

d) Spazio adeguato per i collegamenti di servizio previsti nella parte posteriore dell'apparecchio. Lasciare almeno 15 cm di spazio attorno all'unità così da permettere una corretta ed efficace circolazione d'aria soprattutto nei modelli raffreddati ad aria.

**NOTA.** *Con l'apparecchio incassato la produzione di ghiaccio diminuisce rispetto a quanto indica il diagramma. La capacità di produzione giornaliera varia con il variare della temperatura ambiente, dell'acqua di alimentazione e dello spazio intorno all'apparecchio. Per mantenere la produzione del vostro **fabbricatore di ghiaccio** a cubetti al massimo della sua condizione è necessario eseguire la manutenzione periodica come prescritto nel relativo capitolo di questo manuale.*

2. Livellare l'apparecchio in entrambe le direzioni, dall'anteriore alla posteriore e da sinistra a destra mediante i piedini.

**NOTA.** *Questo fabbricatore di ghiaccio incorpora dei componenti delicati e di massima precisione pertanto bisogna evitarli urti e scossoni violenti.*

#### D. COLLEGAMENTI ELETTRICI

Osservare la targhetta dell'apparecchio così da determinare, in funzione dell'ampereaggio indicato, tipo e sezione del cavo elettrico da usarsi. Tutti gli apparecchi sono muniti di un cavo di alimentazione elettrica per cui si richiede un collegamento dello stesso ad una linea elettrica provvista di cavo di messa a terra e che faccia capo ad un proprio interruttore magneto-termico munito di fusibili adeguati, come indicato nella targhetta di ogni singolo apparecchio. La variazione massima di voltaggio consentita non deve eccedere il 10% del valore di targa o essere inferiore al 10% dello stesso. Un basso voltaggio può causare un funzionamento anormale e può essere la causa di seri danni alle protezioni ed agli avvolgimenti elettrici.

**NOTA.** *Tutti i collegamenti esterni devono essere fatti a regola d'arte in conformità con quanto stabilito dalle norme locali da parte di personale qualificato.*

Prima di collegare il fabbricatore di ghiaccio alla linea elettrica accertarsi ancora una volta che il voltaggio dell'apparecchio, specificato sulla targhetta, corrisponda al voltaggio misurato.

#### E. ALIMENTAZIONE IDRAULICA E SCARICO

##### Premessa

Nella scelta dell'alimentazione idraulica al

fabbricatore di ghiaccio a cubetti si deve tenere presente:

- a) Lunghezza della tubazione
- b) Limpidezza e purezza dell'acqua
- c) Adeguata pressione dell'acqua di alimentazione

Una bassa pressione dell'acqua di alimentazione, inferiore ad 1 bar, può causare dei disturbi di funzionamento dell'apparecchio. L'uso di acque contenenti una quantità eccessiva di minerali darà luogo ad una produzione di cubetti di ghiaccio opachi e ad una notevole incrostazione delle parti interne del circuito idraulico.

##### Alimentazione idraulica

Collegare il raccordo da 3/4 di pollice maschio della valvola solenoide di ingresso acqua alla linea di alimentazione idrica utilizzando il tubo in plastica rinforzato del tipo **alimentare atossico** fornito.

La linea di alimentazione idraulica deve essere munita di un rubinetto di intercettazione posto in un luogo accessibile nei pressi dell'apparecchio.

##### Scarico acqua

Si consiglia di usare, come tubo di scarico, un tubo in plastica rigida avente diametro interno di 18 mm.

Lo scarico dal condensatore, nei modelli raffreddati ad acqua, è raccordato internamente allo scarico dell'apparecchio.

Lo scarico dell'acqua in eccesso avviene per gravità; per avere un regolare deflusso è indispensabile che lo scarico disponga di una presa d'aria e vada in un sifone aperto.

**NOTA.** *Tutti i collegamenti idraulici devono essere eseguiti a regola d'arte in conformità con le norme locali. In alcuni casi è richiesto l'intervento di un idraulico patentato.*



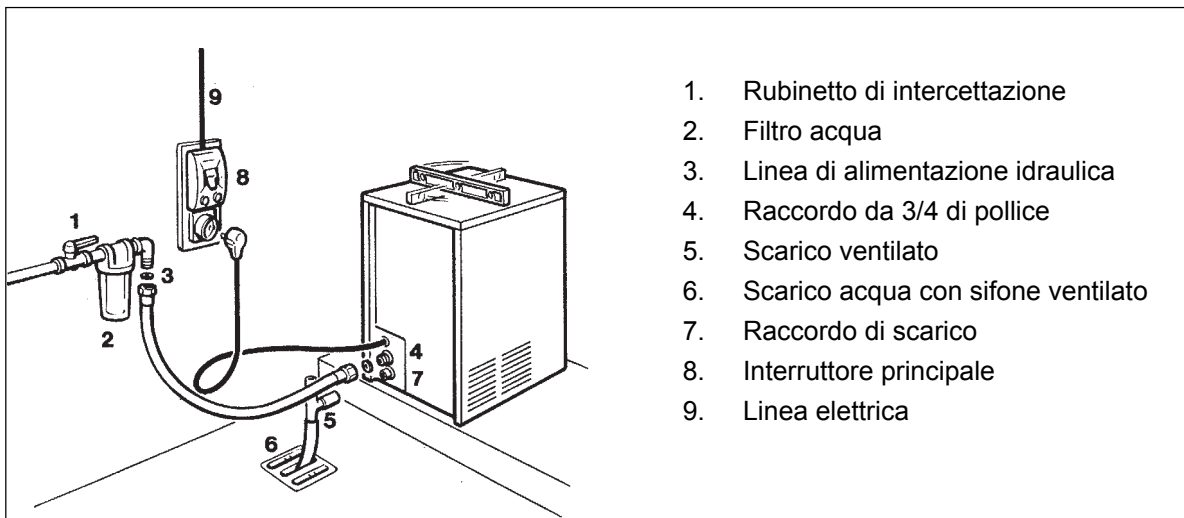
## F. CONTROLLO FINALE

1. L'apparecchio è stato installato in un locale dove la temperatura ambiente è di almeno 10°C anche durante i mesi invernali?
2. Ci sono almeno 15 cm di spazio dietro ed ai lati dell'apparecchio onde avere una efficace ventilazione del condensatore?
3. L'apparecchio è ben livellato? (IMPORTANTE)
4. L'apparecchio è stato collegato alla linea di alimentazione elettrica? È stato eseguito il collegamento alle tubazioni dell'acqua di alimentazione e di scarico?
5. È stato controllato il voltaggio della linea di alimentazione elettrica? Corrisponde al voltaggio specificato sulla targhetta dell'apparecchio?
6. È stata controllata la pressione dell'acqua di alimentazione in modo da assicurare all'apparecchio una pressione di ingresso di almeno 1 bar?
7. Controllare tutte le tubazioni del circuito

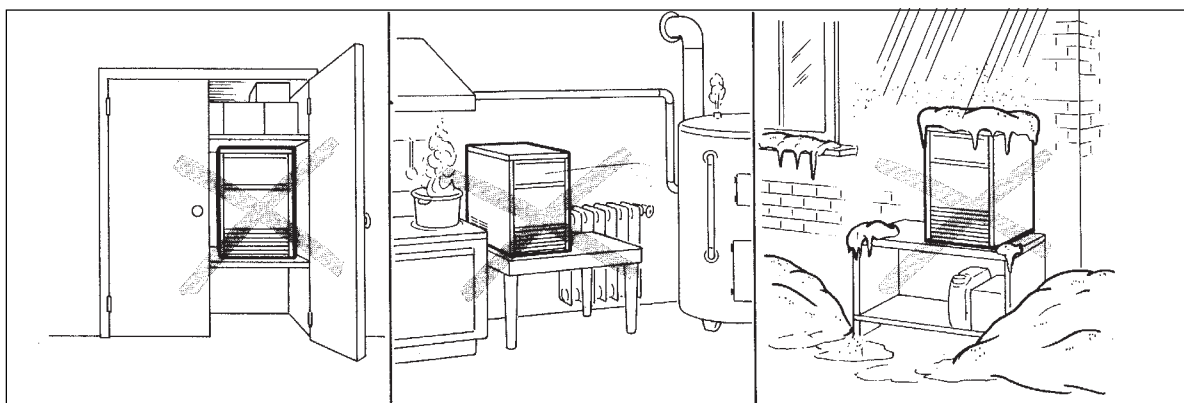
refrigerante e del circuito idraulico verificando se esistono vibrazioni o sfregamenti. Controllare inoltre che le fascette stringitubo siano ben serrate e che i cavetti elettrici siano fermamente collegati.

8. Sono stati controllati i bulloni di ancoraggio del compressore? Permettono a questi di oscillare sui propri supporti?
9. Le pareti interne del contenitore del ghiaccio e le pareti esterne dell'apparecchio sono state pulite?
10. È stato consegnato il libretto di istruzioni e sono state date al proprietario le istruzioni necessarie per il funzionamento e la manutenzione periodica dell'apparecchio?
11. La cartolina di garanzia è stata compilata? Controllare il numero di serie ed il modello sulla targhetta dell'apparecchio, quindi spedirla al costruttore.
12. È stato dato al proprietario il nome ed il numero telefonico del servizio di assistenza tecnica autorizzato della zona?

## G. SCHEMA DI INSTALLAZIONE



**ATTENZIONE.** Questo fabbricatore di ghiaccio non è stato progettato per essere installato all'aperto o per funzionare a delle temperature ambiente inferiori a 10°C o superiori a 43°C. Lo stesso vale per la temperatura dell'acqua di alimentazione che non deve essere inferiore a 5°C o superiore a 35°C.



## ISTRUZIONI DI FUNZIONAMENTO

### AVVIAMENTO

Dopo aver correttamente installato l'apparecchio ed averlo collegato alla rete elettrica ed idraulica, seguire la seguente procedura per l'avviamento.

**A.** Togliere dal fabbricatore di ghiaccio il pannello frontale e localizzare l'interruttore di lavaggio.

**B.** Spostare l'interruttore di lavaggio sulla posizione "Il CLEAN". Questo chiude il circuito elettrico della valvola di ingresso dell'acqua e della valvola gas caldo.

**C.** Spostare, a questo punto sia l'interruttore posto sulla linea di alimentazione elettrica che l'interruttore generale dell'apparecchio sulla posizione ON (acceso). L'apparecchio partirà nella fase di sbrinamento con i seguenti componenti in funzione:

#### VALVOLA INGRESSO ACQUA

#### VALVOLA GAS CALDO

Sono in funzione anche la Pompa ed il Motoventilatore (nel caso di apparecchi raffreddati ad aria).

**D.** Lasciare funzionare la macchina nella fase di sbrinamento per circa tre - quattro minuti fino ad avere dell'acqua allo scarico dell'apparecchio. Quindi spostare l'interruttore di lavaggio sulla posizione "I ON".

**NOTA.** Durante la fase di sbrinamento l'acqua entra nell'apparecchio, attraverso la valvola solenoide di ingresso dell'acqua, eccitata durante questa parte del ciclo, e attraverso l'apposita tubazione è indirizzata sulla parte superiore dell'evaporatore. Dopo aver coperto l'intera superficie di plastica dell'evaporatore, l'acqua viene scaricata, attraverso le fessure di drenaggio, nella vaschetta di raccolta, riempiendola.

**E.** L'apparecchio inizia così il suo primo ciclo di congelamento con i seguenti componenti in funzione:

#### COMPRESSORE

#### POMPA

**MOTOVENTILATORE** (solo nei modelli raffreddati ad aria)

**F.** Osservare attraverso l'apertura di scarico dei cubetti che la barra spruzzante sia correttamente posizionata e che l'acqua venga uniformemente spruzzata sugli stampini rovesciati dell'evaporatore.

Verificare che la tendina di plastica sia posizionata correttamente impedendo la fuoriuscita dell'acqua attraverso le proprie lamelle.

**G.** Il processo di fabbricazione del ghiaccio ha così inizio con l'acqua che viene continuamente spruzzata sugli stampini rovesciati e con la temperatura dell'evaporatore che gradualmente si abbassa.

**H.** Quando la temperatura dell'evaporatore raggiunge un valore predeterminato il termostato evaporatore commuta i suoi contatti dando luogo alla fine del ciclo di congelamento ed all'inizio del ciclo di scongelamento.

**I.** Verificare che durante la fase di scongelamento l'acqua di alimentazione vada a reintegrare quella precedentemente usata per la produzione dei cubetti e che quella eccedente trabocchi nel tubo di troppo pieno e fluisca nella tubazione di scarico dell'apparecchio.

**J.** Osservare i cubetti di ghiaccio prodotti. Questi devono essere della giusta dimensione. Nel caso contrario, attendere il secondo ciclo di produzione del ghiaccio, prima di effettuare qualsiasi regolazione.

**K.** Se necessario la durata del ciclo di congelamento può essere modificata ruotando con piccolissimi spostamenti (spostare di 1/20 di giro per volta) la manopola del termostato evaporatore posta nella parte frontale della scatola elettrica fino al raggiungimento della dimensione ottimale.

Controllare l'aspetto dei cubetti di ghiaccio prodotti: cubetti aventi delle corrette dimensioni esterne ma particolarmente opachi, indicano che il fabbricatore di ghiaccio ha avuto una mancanza d'acqua durante la fase finale del ciclo di congelamento o che, l'acqua usata per la produzione del ghiaccio è di pessima qualità e quindi si rende necessario l'uso di filtri adeguati o di un condizionatore d'acqua.

**L.** Durante il ciclo di sbrinamento, coprire con una manciata di cubetti il bulbo sensibile del termostato contenitore e verificare lo spegnimento dell'apparecchio dopo circa due o tre minuti.

Togliere la manciata di cubetti dal bulbo sensibile e controllare che l'apparecchio si rimetta in moto in circa tre o quattro minuti.

**M.** Rimontare i pannelli precedentemente rimossi quindi istruire il proprietario sul funzionamento del fabbricatore di ghiaccio così come sulle operazioni di pulizia ed igienizzazione del medesimo.

## PRINCIPIO DI FUNZIONAMENTO

Nei fabbricatori di ghiaccio l'acqua usata per la produzione del ghiaccio è tenuta costantemente in movimento da una pompa elettrica che attraverso un sistema spruzzante dirige l'acqua a pressione moderata sugli stampini rovesciati dell'evaporatore. Qui una parte dell'acqua spruzzata ghiaccia all'istante; il rimanente di essa ricade nel sottostante serbatoio di recupero per essere ricircolata.

### CICLO DI CONGELAMENTO

Il refrigerante allo stato gassoso ed ad alta temperatura viene pompato dal compressore e, passando poi attraverso il condensatore, si trasforma in refrigerante allo stato liquido.

La linea del liquido permette al refrigerante di fluire dal condensatore al tubo capillare attraverso il filtro deumidificatore. Durante il passaggio attraverso il tubo capillare il refrigerante allo stato liquido perde gradualmente parte della sua pressione e conseguentemente parte della sua temperatura. Successivamente raggiunge ed entra nella serpentina dell'evaporatore.

L'acqua spruzzata sugli stampini rovesciati dell'evaporatore cede calore al refrigerante circolante all'interno della serpentina, causandone l'evaporazione, ed il conseguente cambiamento del suo stato fisico, cioè da liquido diviene vapore. Il refrigerante allo stato vaporoso dopo essere passato attraverso l'accumulatore viene aspirato nuovamente nel compressore tramite la linea di aspirazione.

Il ciclo di congelamento è regolato da un controllo della temperatura (termostato evaporatore) che determina la durata del ciclo e di conseguenza la dimensione dei cubetti.

I componenti in funzione durante il ciclo di congelamento sono:

### IL COMPRESSORE

#### LA POMPA

#### IL VENTILATORE (nei modelli raffreddati ad aria)

Nei modelli raffreddati ad aria la pressione di mandata del sistema refrigerante (alta pressione) cala progressivamente da un valore di circa **10,5 bar** (con temperatura ambiente di 21°C), che si riscontra all'inizio del ciclo di congelamento, fino ad un valore minimo di **7 bar** proprio alla fine del ciclo di congelamento. Questi valori sono influenzati della temperatura dell'ambiente in cui è installato l'apparecchio e aumentano proporzionalmente con l'aumentare di quest'ultima.

Con apparecchi installati in condizioni normali (21°C ambiente) la pressione di aspirazione o bassa pressione scende rapidamente a **1 bar** all'inizio del ciclo di congelamento, cioè quando il cubetto di ghiaccio inizia a formarsi, declinando lentamente a circa a **0÷0.1 bar** allorché il cubetto di ghiaccio è completamente formato.

Nei modelli raffreddati ad acqua è utilizzato un pressostato per alimentare elettricamente, in modo intermittente, una valvola a solenoide situata sulla linea idraulica di alimentazione al condensatore.

### CICLO DI SCONGELAMENTO O SBRINAMENTO

Al momento in cui il termostato evaporatore sente la temperatura corrispondente ai cubetti di ghiaccio di dimensione piena, i contatti dello stesso cambiano posizione alimentando i seguenti componenti:

#### COMPRESSORE

#### VALVOLA DI INGRESSO ACQUA

#### VALVOLA DEL GAS CALDO

L'acqua in immissione passa attraverso la valvola solenoide di ingresso ed il controllo di flusso che è posto all'interno della medesima, arriva sulla parte superiore dell'evaporatore da dove cola, attraverso le fessure di drenaggio, nel sottostante serbatoio di pescaggio della pompa. Il livello massimo dell'acqua nel serbatoio è limitato da un tubo di troppo pieno che ha la funzione di indirizzare verso lo scarico l'acqua in eccesso. Il refrigerante allo stato gassoso, pompato dal compressore, viene ora dirottato dalla valvola del gas caldo aperta direttamente alla serpentina dell'evaporatore, seguendo il percorso più diretto cioè, non passando attraverso il condensatore. Il gas caldo circolante all'interno della serpentina dell'evaporatore, fa aumentare la temperatura degli stampini causando quindi lo stacco dai medesimi dei cubetti di ghiaccio.

I cubetti che si staccano cadono sopra una griglia inclinata da dove scivolano attraverso l'apertura con tendina a lamelle, per cadere all'interno del contenitore del ghiaccio.

Grazie al fluire del gas caldo nella serpentina dell'evaporatore, la temperatura dello stesso sale e conseguentemente sale anche la temperatura del bulbo sensibile del termostato evaporatore il quale cambia i suoi contatti disattivando la bobina della valvola gas caldo e della valvola di ingresso acqua ed attivando la pompa di circolazione dell'acqua e il ventilatore iniziando così un nuovo ciclo di congelamento.

### DESCRIZIONE DEI COMPONENTI

#### A. POMPA

La pompa opera in continuazione soltanto durante il ciclo di congelamento dirigendo l'acqua verso la piastra spruzzante.

Dalla barra spruzzante l'acqua, attraverso gli spruzzatori viene diretta sugli stampini rovesciati subendo, in questa fase, una certa aerazione permettendo così di ottenere un cubetto di ghiaccio solido e cristallino.

Si consiglia di controllare lo stato dei cuscinetti almeno ogni sei mesi.

#### B. VALVOLA SOLENOIDE DI INGRESSO DELL'ACQUA - RACCORDO DA 3/4 GAS MASCHIO

La valvola solenoide di ingresso dell'acqua posta nella parte posteriore dell'apparecchio, è eccitata solamente durante il ciclo di sbrinamento. Quando è eccitata permette, ad una limitata quantità d'acqua, di fluire verso la parte superiore della piastra evaporatore assistendo così il gas caldo

durante la fase di distacco dei cubetti. Quest'acqua viene quindi scaricata dalla piastra dell'evaporatore, attraverso le fessure di scarico, nel serbatoio di raccolta sottostante da dove viene aspirata dalla pompa e diretta alla barra spruzzante.

### C. VALVOLA SOLENOIDE DEL GAS CALDO

La valvola solenoide del gas caldo è composta essenzialmente da due parti, rispettivamente il corpo e la bobina. Situata sulla linea di mandata del compressore è attivata dai contatti 3-2 (seconda posizione), del termostato evaporatore durante il ciclo di sbrinamento.

Durante il ciclo di sbrinamento la bobina, collocata sulla parte superiore della valvola gas caldo è attivata attraendo pertanto il pistoncino posto all'interno del corpo valvola.

Questo apre il passaggio al gas caldo pompato dal compressore, consentendogli di fluire direttamente nella serpentina dell'evaporatore distaccando così i cubetti di ghiaccio dai bicchierini.

### D. TERMOSTATO CONTENITORE

Il tubo sensibile del termostato contenitore (tubo capillare) è inserito nel tubo portabulbo fissato sulla parete della cabina di deposito del ghiaccio ed ha il compito di interrompere il funzionamento dell'apparecchio quando il tubo sensibile è coperto dal ghiaccio e di farlo ripartire non appena il ghiaccio sia stato rimosso. Il termostato contenitore è tarato direttamente in fabbrica per fermare l'apparecchio a 1°C e riattaccarlo a 4°C.

### E. TERMOSTATO EVAPORATORE (CONTROLLO DELLA DIMENSIONE DEI CUBETTI)

Il termostato evaporatore posto nella parte frontale della scatola elettrica, è essenzialmente un controllo della temperatura che chiude i suoi contatti 3-2 quando la temperatura scende (fine ciclo di congelamento) e li apre chiudendo i contatti 3-4 quando la temperatura sale (fine ciclo di sbrinamento).

Questo controllo determina la durata del ciclo di congelamento e di conseguenza la dimensione dei cubetti di ghiaccio. Una bassa regolazione produrrà cubetti di ghiaccio troppo grandi mentre al contrario un'alta regolazione produrrà cubetti di ghiaccio (troppo piccoli). I contatti del termostato evaporatore sulla seconda posizione (contatti 3-2) chiudono il circuito elettrico ai componenti del ciclo di sbrinamento controllandone la sua durata.

Il termostato evaporatore è regolato in fabbrica (manopola su puntino nero) e non richiede aggiustamenti quando la temperatura ambiente rimane tra 10 e 35°C.

**NOTA.** *Il termostato è molto sensibile. Ad un piccolo spostamento della maniglia di regolazione corrisponde un grande cambiamento dimensionale del cubetto. Nel caso sia strettamente necessario, si raccomanda di fare regolazione di 1/20 di giro per volta.*

### F. VENTILATORE

Il ventilatore, collegato al circuito elettrico attraverso i contatti 3-4 del termostato evaporatore, opera soltanto durante il ciclo di congelamento, facendo circolare l'aria attraverso il condensatore e mantenendo così, entro valori prestabiliti l'alta pressione.

### G. COMPRESSORE ERMETICO

Il compressore ermetico ha il compito di far circolare il refrigerante attraverso l'intero sistema. Esso aspira il refrigerante sotto forma di vapore a bassa pressione e temperatura, lo comprime, facendone aumentare di conseguenza sia la pressione che la temperatura, e lo trasforma in vapore ad alta pressione e temperatura che lascia il compressore attraverso la valvola di scarico.

### H. BARRA SPRUZZANTE

L'acqua, forzata dalla pompa all'interno della barra spruzzante, fuoriesce attraverso gli spruzzatori i quali hanno il compito di dirigere il getto d'acqua verso gli stampini raffreddati dell'evaporatore.

### I. TERMOSTATO DI SICUREZZA

Posto nella parte inferiore della scatola elettrica è del tipo a reinserimento manuale ed arresta il funzionamento dell'apparecchio quando il suo bulbo (ancorato alla linea dal liquido poco prima del filtro deumidificatore) raggiunge la temperatura di 80°C.

### J. INTERRUOTTORE DI LAVAGGIO

Interruttore manuale, posto nella parte sinistra della scatola elettrica eccita la bobina della valvola del gas caldo e della valvola di ingresso dell'acqua per il caricamento manuale dell'acqua e per risciacquare il circuito idraulico dell'apparecchio durante le operazioni di pulizia.

### K. VALVOLA SOLENOIDE DI INGRESSO ACQUA

Una seconda valvola solenoide di ingresso acqua, comandata da un pressostato di alta automatico, è prevista per alimentare il condensatore. Quando è attivata permette ad un flusso calibrato di acqua di entrare nella serpentina di raffreddamento in modo da asportare il calore ed abbassare la temperatura nonché la pressione del refrigerante in circolazione.

### L. PRESSOSTATO DI ALTA

Impiegato sia nei modelli raffreddati ad aria che ad acqua mantiene entro valori prestabiliti la pressione di mandata del circuito frigorifero alimentando ad intermittenza la bobina della valvola solenoide di ingresso acqua al condensatore.

## ISTRUZIONI PER LA PULIZIA DEL CIRCUITO IDRAULICO

1. Togliere il pannello frontale e superiore per accedere sia alla scatola elettrica che all'evaporatore.

2. Attendere la fine del ciclo di sbrinamento quindi spegnere l'apparecchio tramite l'interruttore principale.

3. In un secchio pulito preparare la soluzione disincrostante diluendo in 1-2 litri di acqua potabile calda (45-50°C) 0,2 litri di disincrostante.

**ATTENZIONE. I disincrostanti per produttori di ghiaccio contengono una soluzione di acido fosforico e idrossiacetico. Questa soluzione è corrosiva e, se ingerita, può causare disturbi intestinali. Non provocare il vomito. In questo caso bisogna bere una abbondante quantità di acqua o di latte e chiamare subito il medico. Nel caso di contatto esterno è sufficiente lavare la parte con acqua. TENERLO LONTANO DALLA PORTATA DEI BAMBINI.**

4. Prelevare tutto il ghiaccio stivato nel contenitore in modo che questi non venga contaminato con la soluzione disincrostante.

5. Rimuovere il tappo in plastica posizionato sotto il serbatoio acqua/involucro evaporatore per scaricare tutta l'acqua ed i depositi di calcare e scorie.



6. Rimuovere il coperchio dell'evaporatore e versare lentamente la soluzione disincrostante tra le formine di rame. Impiegare un pennello per sciogliere le incrostazioni presenti negli angoli più remoti.

7. Posizionare l'interruttore di lavaggio su "Il CLEAN", chiudere il rubinetto di alimentazione dell'acqua e dare tensione all'apparecchio tramite l'interruttore principale.

8. Lasciare l'apparecchio in funzione per circa 20 minuti.

**NOTA.** *La quantità di disincrostante così come il tempo necessario per la disincrostazione dipendono dalle condizioni del circuito idraulico (incrostazioni).*

9. Spegner l'apparecchio, scaricare la soluzione disincrostante dal serbatoio quindi versare nella parte superiore dell'evaporatore 2 o 3 litri di acqua potabile per risciacquare sia gli stampini che la piastra in plastica.

10. Accendere l'apparecchio. La pompa è di nuovo in funzionamento per ricircolare l'acqua così da risciacquare l'intero circuito idraulico.

11. Ripetere quanto esposto ai punti 8 e 9 almeno 2 volte.

12. Versare sulla parte superiore dell'evaporatore una caraffa d'acqua contenente della sostanza battericida, quindi rimettere in funzione l'apparecchio allo scopo di igienizzare tutto il circuito idraulico per circa 10 minuti.

**ATTENZIONE. Non miscelare la sostanza battericida con il disincrostante al fine di evitare la generazione di acidi molto aggressivi.**

13. Scaricare la soluzione disinfettante dal serbatoio quindi aprire il rubinetto di alimentazione dell'acqua e dare tensione all'apparecchio.

14. Quando dallo scarico si nota la fuoriuscita dell'acqua posizionare l'interruttore di lavaggio su "I ON" al fine di rimettere l'apparecchio nelle condizioni di funzionamento normale.

15. Rimontare il coperchio dell'evaporatore ed i pannelli precedentemente rimossi.

16. Controllare che i cubetti di ghiaccio prodotti dopo il primo ciclo di congelamento siano trasparenti e che non abbiano sapore acidulo.

**ATTENZIONE. Non utilizzare i cubetti opachi-bianchi e di sapore acidulo prodotti dopo il procedimento di pulizia del sistema idraulico con il disincrostante. Per ogni evenienza è bene versare dell'acqua tiepida all'interno del contenitore così da sciogliere i cubetti di ghiaccio appena prodotti.**

17. Sciacquare ed asciugare le pareti interne del contenitore del ghiaccio.

**NOTA.** *Ricordarsi che per evitare l'accumulo di batteri indesiderati è necessario pulire ed igienizzare le pareti interne del contenitore ogni settimana con una soluzione di acqua mista ad una sostanza battericida.*

# INFORMATIONS GÉNÉRALES ET INSTALLATION

## A. INTRODUCTION

Dans ce manuel vous trouverez les indications nécessaires et la marche à suivre pour réaliser: l'installation, le démarrage, le fonctionnement, l'entretien et le nettoyage de la machine à glace **SIMAG**.

Ces machines ont été étudiées, conçues, construites et vérifiées avec le maximum de soin pour satisfaire la clientèle la plus exigeante.

**NOTA.** Pour préserver les caractéristiques de qualité et de sécurité des fabriques de glace, il est fondamentale d'effectuer les opérations d'installation et de maintenance strictement selon les instructions indiquées dans ce manuel de service.

## B. DÉBALLAGE ET VÉRIFICATION

1. Appeler le distributeur ou le vendeur SIMAG concerné de votre secteur.
2. Examiner l'extérieur du carton d'emballage et s'assurer qu'il n'y a pas d'avarie imputable au transport.  
Celle-ci pouvant entraîner un dommage caché sur la machine, exiger un examen intérieur en présence du transporteur.
3. a) Couper et enlever les sangles maintenant le cartonnage sur son socle.  
b) Ouvrir le dessus du carton et enlever la plaque et les plots d'angle de polystyrène de protection.  
c) Enlever entièrement la boîte en carton.
4. Démontez les panneaux de la machine et s'assurer qu'il n'y a pas de dégats à l'intérieur. Faire une déclaration auprès du transporteur dans le cas d'un dommage caché, comme indiqué au paragraphe 2 ci-dessus.
5. Enlever tous les supports intérieurs d'emballage et les rubans adhésifs de protection.
6. S'assurer que les tuyauteries frigorifiques ne frottent, ni ne touchent, ni entre elles ni à d'autres surfaces et que l'hélice du ventilateur du condenseur tourne librement.
7. S'assurer que le compresseur repose bien sur ses "silenblocs".
8. Utiliser un chiffon propre et humide et nettoyer les parois de la cabine de stockage et aussi les surfaces extérieures de la machine.
9. S'assurer que la tension d'alimentation correspond bien aux indications mentionnées sur la plaque signalétique fixée à l'arrière du châssis.

**ATTENTION.** Tout incident occasionné par l'utilisation d'une mauvaise tension d'alimentation annulera vos droits à la **GARANTIE**.

10. Retirer du Mode d'Emploi la fiche de garantie et la remplir avec soin en y indiquant le type et le numéro de série relevés sur la plaque signalétique. Envoyer un exemplaire à l'Usine SIMAG.

## C. LOGEMENT ET MISE DE NIVEAU

**ATTENTION.** Cette machine n'est pas faite pour fonctionner à l'extérieur lorsque les températures de l'air ambiante sont en dessous de +10°C ou au dessus de +40°C. Le fonctionnement prolongé hors de ces limites est considéré annule les clauses du contrat de garantie SIMAG.

1. Mettre en place la machine dans l'emplacement qui lui est réservé.  
Ou nécessaire visser les quatre pieds de mise à niveau dans les socles correspondants situés sous la base du meuble de la machine.  
Pour le choix de l'emplacement tenir compte:
  - a) température ambiante du local compris entre +10°C et +43°C.
  - b) température de l'eau d'alimentation compris entre +5°C et +35°C.
  - c) endroit bien ventilé pour assurer un refroidissement correct du condenseur. Nettoyer souvent le condenseur placé dans la machine.
  - d) espace suffisant pour accéder aux branchements à l'arrière. Un espace libre de 15 cm minimum est nécessaire autour de l'unité pour le passage de l'air frais sur le condenseur des groupes à air et son évacuation.
2. Mettre de niveau la machine en utilisant les pieds réglables.

## D. BRANCHEMENTS ÉLECTRIQUES

Déterminer en fonction des indications mentionnées sur la plaque signalétique (puissance, intensité) la dimension du câble nécessaire pour l'alimentation électrique de la machine.  
Tous les machines SIMAG sont expédiées complètement câblées avec leur cordon d'alimentation électrique. S'assurer que la machine a bien sa ligne d'alimentation qui est branchée à un interrupteur bipolaire murale pourvu des fusibles et d'un conducteur de terre. Voir la plaque signalétique pour déterminer le calibre du fusible.  
Tout le câblage extérieur devra être conforme aux normes électriques en vigueur. Vérifier la conformité du voltage de la ligne d'alimentation avec la plaque d'immatriculation avant de brancher la machine.  
La tension admissible maximum ne doit pas

dépasser 10% de la valeur indiquée sur la plaque, même lors du démarrage. Le sous-voltage admissible ne doit pas dépasser 10%.

Un sous-voltage peut occasionner un mauvais fonctionnement et détériorer les contacts et les enroulements du moteur.

Avant de brancher la machine vérifiez encore une fois la tension disponible contre les indications de la plaque signalétique.

**NOTA.** *Le branchements électriques doivent être faites par un professionnel dans le respect des normes locales.*

## E. BRANCHEMENTS D'ARRIVÉE ET D'ÉVACUATION D'EAU

### Généralités

Pour le choix du mode d'alimentation d'eau sur la machine à glaçons il faudra tenir compte:

- a) du temps de fonctionnement
- b) de la clarté et de la pureté de l'eau
- c) de sa pression

La glace est obtenue à partir de l'eau. Les points ci-dessus sont donc importantes pour le bon fonctionnement de la machine.

L'eau contenant, en quantité, des sels minéraux aura tendance à produire des cubes d'autant plus opaques qu'elle contiendra plus de sels.

Une pression trop basse, inférieure à 1 bar, peut être une cause de mauvaise fabrication de la glace.

Une eau trop fortement chlorée peut être améliorée en utilisant des filtres au charbon de bois ou au charbon actif.

### Alimentation d'eau

Raccorder, avec le tuyau flexible en plastique alimentaire en dotation, l'alimentation d'eau générale au raccord 3/4" mâle situé sur la vanne électromagnétique d'arrivée d'eau.

Installer, à un endroit accessible, entre l'arrivée et la machine, une vanne d'arrêt.

Si l'eau est très dure ou avec des impuretés en excès, il faudra mieux considérer l'application d'un filtre efficace, positionné avec sa flèche dans le sens de circulation de l'eau.

### Évacuation d'eau

Raccorder, avec le tuyau spiralé fourni avec la machine, le raccord en plastique d'évacuation à un siphon de sol ouvert avec une pente de 3 cm par mètre.

L'évacuation du condenseur, sur les machines à eau, est raccordée au écoulement commun, à l'intérieur de la machine.

Pour cela, il faut bien prévoir l'installation d'une prise d'air verticale sur le point plus haut de la tuyauterie d'évacuation, en manière d'avoir un

bon écoulement d'eau et il faut aussi s'assurer que l'eau s'écoule bien dans un siphon de sol ouverte.

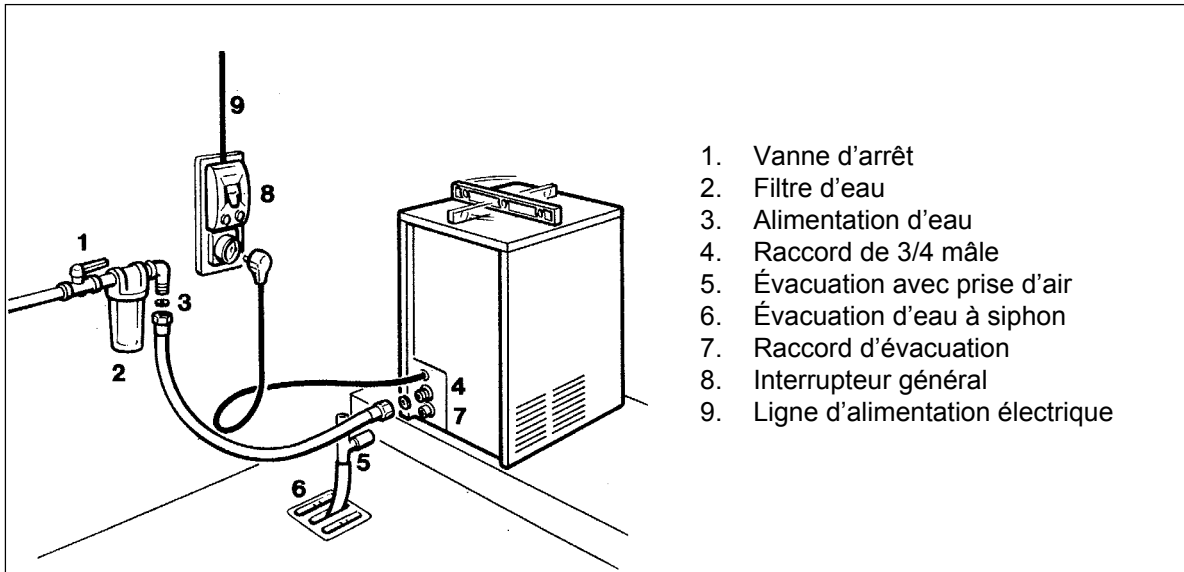
Cela afin d'éviter, en cas de mauvaise vidange, que l'eau d'évacuation du condenseur puisse dégorger dans la cabine de stockage ou dans le réservoir d'eau.

**NOTA.** *L'alimentation et l'évacuation d'eau doivent être installées par un professionnel dans le respect des normes locales.*

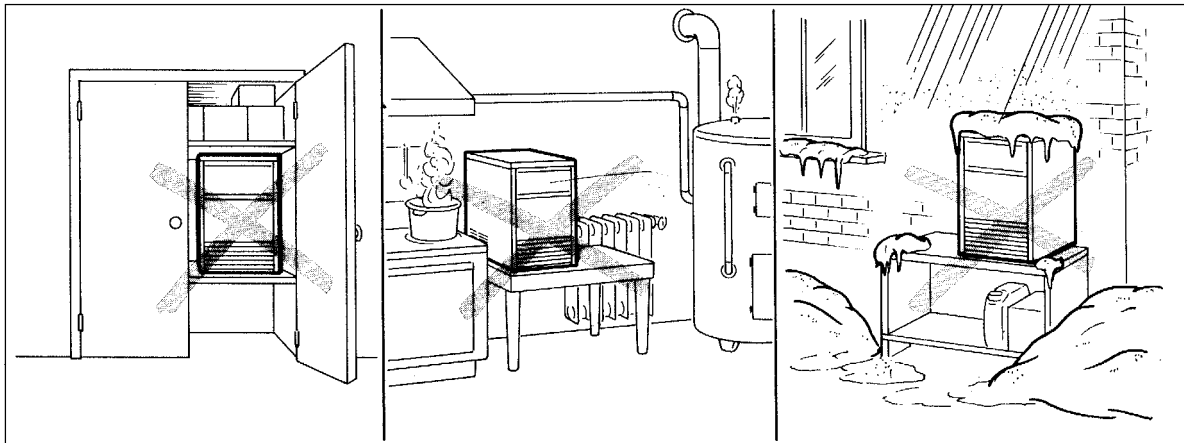
## F. LISTE DE CONTRÔLE FINAL

1. Est-ce que la machine a été placée dans une pièce où la température ambiante ne descend jamais au dessous de +10 °C durant les mois d'hiver?
2. Y-a t-il au moins 15 cm d'espace libre à l'arrière et autour de la machine pour une bonne aération?
3. La machine a t-elle été mise de niveau?
4. Tous les raccordements électriques et d'eau y compris la vanne d'arrêt ont-ils été effectués? La vanne de alimentation d'eau a été ouvert?
5. La tension électrique d'alimentation correspond t-elle bien aux indications de la plaque signalétique?
6. S'est-on assuré que la pression minimum de l'eau fournie ne sera jamais inférieure à 1 bar? Ouvrir la vanne de alimentation d'eau et vérifier que par les branchements d'eau il ny a aucun fuite.
7. Avez-vous vérifié que toutes les tuyauteries frigorifiques et autres sont à l'abri des vibrations, de l'usure et d'un éventuel défaut?
8. Les boulons de blocage du compresseur ont-ils été retirés? S'assurer que le compresseur est bien calé sur ses silenblocs.
9. La cabine et l'extérieur de la machine a t-elle été essuyés proprement?
10. Avez-vous bien remis le manuel contenant les instructions d'utilisation au client? Avez-vous attiré son attention sur l'importance de l'entretien périodique de la machine?
11. Avez-vous rempli correctement la fiche de garantie? Avez-vous bien vérifié le type et le numéro de série sur la plaque avant de l'envoyer?
12. Avez-vous donné le nom du client et son numéro de téléphone au représentant local SIMAG de son secteur?

## G. INSTALLATION PRATIQUE



**ATTENTION.** Cette machine à glace n'est pas prévue pour fonctionner à l'extérieur. L'utiliser pour des températures ambiante comprises entre +10 et +43°C et d'eau comprises entre +5°C et +35°C.





# INSTRUCTIONS DE FONCTIONNEMENT

## DÉMARRAGE

Après avoir installé correctement la fabrique de glace et avoir complété le branchements hydrauliques et électriques, effectuez les opérations de démarrage ci-dessous:

- A.** Enlever le panneau frontal et localiser le boîtier de contrôle.
- B.** Positionner l'interrupteur de nettoyage sur la position II pour alimenter les bobines de la vanne d'arrivée d'eau et de gaz chauds.
- C.** Mettre l'interrupteur principale en position ON (Marche) pour mettre la machine sous tension. L'appareil démarre donc sur le cycle de "démoulage" avec les suivants composants en fonctionnement.

## VANNE D'ARRIVEE D'EAU

### VANNE DE GAZ CHAUDS

**VENTILATEUR** (pour les machines refroidis par air)

### COMPRESSEUR

- D.** Laissez la machine dans la phase de remplissage d'eau par trois/quatre minutes jusqu'à ce que l'eau arrive en correspondance au trop plein (eau écoule par la vidange) puis repositionner l'interrupteur de nettoyage sur la position FONCTIONNEMENT (I). Pendant la phase de remplissage d'eau/degivrage, vérifiez que l'eau, qui arrive sur la platine évaporateur, s'écoule et tombe bien dans le réservoir d'eau. Dans le réservoir le niveau d'eau monte graduellement jusqu'à ce qu'il arrive en correspondance du trop plein, l'eau en excès qui continue à arriver dans le réservoir s'écoule, par le trop plein, dans la vidange. La machine est maintenant prête pour son premier cycle de congélation.

- E.** À la fin de la phase de remplissage d'eau/degivrage la machine passe automatiquement en cycle de congélation avec le démarrage des éléments suivants (Fig. 1):

### COMPRESSEUR

### POMPE A EAU

**VENTILATEUR** (pour les machines refroidis par air)

- F.** Vérifiez, à travers l'ouverture de passage de glaçons, que le système d'arrosage d'eau soit bien positionné et que l'eau vienne à bien être aspergé vers les moules de l'évaporateur et que

les lamelles en plastique du rideau sont bien libre de basculer et qu'il n'y a pas de l'eau qui passe au travers celles ci.

- G.** Le processus de fabrication de glace commence lorsque l'eau est aspergé sur les moules. Ceux-ci viennent à être graduellement réfrigérés par l'évaporation du réfrigérant qui circule dans le serpentin d'évaporateur.

- H.** Lorsque le bulbe du thermostat évaporateur, logé sur la serpentine d'évaporateur, atteint la température d'enclenchement changez de position pour faire démarrer le cycle de dégivrage.

- I.** Contrôlez, pendant le cycle de démoulage, que l'eau qui arrive dans la machine, coule bien sur la platine évaporateur, pour tomber dans le réservoir, de manière de rétablir le niveau d'eau jusqu'au bord du trop plein. Vérifiez aussi que le surplus d'eau s'écoule bien à la vidange.

- J.** Contrôlez l'apparence et la forme des glaçons qui viennent de tomber dans la cabine. Les glaçons corrects doivent avoir un épaisseur de environ 7-8 mm. Lorsqu'ils ne sont pas conformes, attendre la fin du second cycle avant de faire un réglage à l'aide du thermostat évaporateur en tournant sa vis de réglage. Cette vis doit être tournée dans le sens des aiguilles d'une montre pour avoir un épaisseur supérieur et à l'inverse pour réduire l'épaisseur. Si les glaçons se présentent opaques et avec un creux trop profond dans leur centre, cela peut provenir d'une manque partielle d'eau qui s'est vérifiée pendant la phase finale du cycle de congélation ou, il peut bien provenir d'une mauvaise qualité de l'eau. Pour ce dernier cas, il sera nécessaire d'avoir un filtre ou un équipement de traitement d'eau.

- K.** Durant le démoulage, maintenir une poignée des glaçons contre le bulbe du thermostat cabine pour vérifier le correct fonctionnement de ce dispositif. La fabrique à glace doit s'arrêter dans environs 30 seconds 1 minute, exactement quand la température du bulbe a atteint +1°C, chose qui provoque l'ouverture des contacts du thermostat. Retirez la poignée de cubes du contact avec le bulbe, la machine se remet automatiquement en route - lorsque la température du bulbe monte à +4°C - en démarrant par la phase de démoulage. Remontez des panneaux enlevés avant.

- L.** Expliquez avec soin au client/utilisateur les spécifications importantes de la machine, la mise en route et l'entretien, en parcourant toutes les procédures dans le MODE D'EMPLOI.

## PRINCIPE DE FONCTIONNEMENT

Dans les machines à glaçons SIMAG l'eau pour la fabrication de la glace est continuellement en mouvement.

Une pompe électrique de circulation la pulvérise sous une pression adéquate à travers les jets dans les moules de l'évaporateur.

Une partie de cette eau se cristallise au contact des moules réfrigérés. La glace obtenue en forme de cloche sur les parois remplit petit à petit les moules donnant les glaçons finals.

### CYCLE DE CONGELATION

Le gaz réfrigérant est refoulé par le compresseur dans le condenseur, où il est refroidi et condensé en liquide par l'air ou par l'eau de refroidissement. Le réfrigérant liquide traverse le filtre déshydrateur et passe en suite par le tube capillaire où, l'échange de chaleur lui fait perdre un peu de sa pression et de sa température.

Le réfrigérant liquide pénètre dans le serpentín évaporateur (qui est un tube de diamètre supérieur à celui du capillaire) où il se détend et commence à partiellement s'évaporer.

Ce changement d'état est aussi provoqué par l'eau aspergé dans les moules qui fournit la chaleur nécessaire pour l'évaporation complète du réfrigérant.

Le réfrigérant en vapeur passe en suite au travers de l'accumulateur, où toute trace de liquide est vaporisé, puis retourne au compresseur totalement en vapeur - via tuyauterie d'aspiration où il échange de la chaleur avec le capillaire - pour être refoulé de nouveau.

Le cycle de congélation est contrôlé par le thermostat évaporateur qui a son bulbe en contact avec la serpentine évaporateur.

Les composants électriques en fonctionnement pendant le cycle de congélation sont:

#### COMPRESSEUR

**VENTILATEUR** (Pour les machines refroidis par air)

#### POMPE A EAU

Pour les modèles refroidis par air pendant le cycle de congélation, la haute pression du réfrigérant varie entre 7,5 ÷ 10,5 bars.

**NOTA.** Dans le cas où la température (ou pression correspondant) du condenseur monte à un valeur supérieur à 70/75 °C a cause d'une manque partielle ou totale d'eau de refroidissement, or du condenseur bloqué par la saleté pour le versions refroidis par air, **un dispositif de sécurité par activation manuel** arrête le fonctionnement de la machine.

Après avoir examiné la raison de l'arrêt et avoir remédié la situation **il faut the presser be bouton de rearmement** en passant par les trous sur le panneau avant or remuer le même.

Au départ du cycle de congélation la pression d'aspiration descend assez rapidement sur la valeur de **1 bars** puis elle s'abaisse graduellement en relation avec l'augmentation graduelle d'épaisseur glaçons pour atteindre à la fin du cycle à **0,1 bars** quand les glaçons sont formés.

### CYCLE DE DEMOULAGE

Lorsque la température correspondante à la dimension requise pour les cubes de glace, est atteinte dans l'évaporateur, le contact du thermostat ferme le circuit sur les composants suivants:

#### COMPRESSEUR

#### VENTILATEUR

#### VANNE D'ARRIVEE D'EAU

#### VANNE GAZ CHAUDS

L'eau qui arrive dans la machine, en passant par la vanne d'arrivée et par le limiteur de débit, s'écoule sur la platine évaporateur, dont l'eau travers les fissures d'écoulement et tombe dans le réservoir. Cette eau se mélange avec celle qui est restée du cycle précédent, pour faire monter le niveau jusqu'au bord du trop plein.

L'excès d'eau du réservoir s'évacue par le trop plein de la vidange, de ce fait limite la concentration des sels minéraux dans le réservoir.

Entre temps les gaz chauds déchargé par le compresseur sont déviés par la vanne de gaz chauds ouverte, directement dans le serpentín évaporateur. Le gaz chauds qui circulent dans le serpentine évaporateur chauffent suffisamment les moules pour faire décoller les glaçons formés. Les glaçons libérés tombent sur le plan de chute et ils sont canalisés, au travers de l'ouverture de sortie glace, dans la cabine de stockage. A la fin du cycle de dégivrage les deux vannes, celle de gaz chauds et celle d'arrivée d'eau, viennent à être désactivées, permettant ainsi à la machine de commencer un nouveau cycle de congélation.

### DESCRIPTION DES COMPOSANTS

#### A. POMPE A EAU

La pompe à eau fonctionne en permanence pendant la phase de congélation et refoule l'eau en direction du système d'arrosage pour l'asperger à l'intérieur des moules; en ce faisant, l'eau vient à être aérée, chose qui permet la formation de glaçons transparents et solides. Il est recommandé de vérifier les roulements du moteur de la pompe tous les six mois.

#### B. ÉLECTROVANNE D'ADMISSION D'EAU

L'électrovanne d'admission d'eau est activé pendant la phase de démoulage et de remplissage d'eau. Quand elle est activée une quantité d'eau suffisante circule entre les moules de la platine évaporateur, aidant ainsi le gaz chauds à démouler les glaçons.

L'eau s'écoule à travers les trous de la platine pour tomber dans le réservoir, situé sous l'évaporateur, d'où elle est recyclée par la pompe à eau en direction du système d'arrosage.

### **C. ÉLECTROVANNE DE GAZ CHAUD**

L'électrovanne de gaz chauds comprend deux parties: le corps avec son noyau plongeur et la bobine.

Elle est montée sur la ligne de refoulement du compresseur et est alimentée par les contacts du thermostat évaporateur pendant le cycle de démoulage et pendant le cycle de remplissage d'eau.

Pendant le démoulage, la bobine, placée au dessous du corps de la vanne, est excitée attirant ainsi le noyau plongeur à l'intérieur du corps de la vanne pour dévier le gaz chauds, provenant du compresseur, directement dans la serpentine évaporateur pour dégivrer les glaçons formés.

### **D. THERMOSTAT CABINE**

Le thermostat cabine a son bulbe fixé sur une des parois intérieures de la cabine des dépôt de la glace et il arrête le fonctionnement de la machine quand son bulbe vient à se trouver en contact avec les glaçons.

Il est réglé à l'usine pour couper à + 1 °C et enclencher à + 4°C.

Vérifier, avant remplacement, son bon fonctionnement en plaçant de la glace sur le bulbe avant de le monter sur la machine.

Un déclit audible indiquera la coupure.

### **E. THERMOSTAT CONTROLANT LA DIMENSION DES CUBES OU THERMOSTAT D'ÉVAPORATEUR**

Le thermostat est logé dans la boîtier électrique, à l'intérieur de la machine. Son fonctionnement est lié à la température de l'évaporateur par intermédiaire de son bulbe placé sur un de ses tubes.

Cet appareil fixe la durée du cycle de congélation et, parallèlement, la dimension des cubes.

Une coupure plus basse produira un plus gros cube, alors qu'une coupure plus haute donnera un cube plus petit.

En tournant dans le sens des aiguilles d'une montre, la coupure se fait sur + froid, inversement sur - froid avec en butée, une position "STOP".

Réglé en usine, il est recommandé d'agir progressivement et peu à la fois à chaque réglage. Si le premier contact est lié à la température, le second est inverseur. Il commande et contrôle les composants du cycle de démoulage.

### **F. MOTOVENTILATEUR**

Le motoventilateur est branché à les contacts 3-4 du thermostat évaporateur, en parallèle avec la pompe à eau, et il est en fonctionnement continu pendant le cycle de congélation pour maintenir la haute pression entre les valeurs préétablis.

### **G. COMPRESSEUR**

Le compresseur, du type hermétique, est le cœur du circuit réfrigérant, il véhicule et récupère le réfrigérant à travers l'ensemble du système.

Il comprime le réfrigérant vapeur, à basse pression, augmentant ainsi sa température et le transforme en gaz chauds à haute pression qui vient déchargé par le clapet de refoulement.

### **H. SYSTÈME D'ARROSSAGE D'EAU**

À travers ses gicleurs, le système d'arrosage asperge d'eau les moules réfrigérées de l'évaporateur et ce grâce à la pompe à eau qui met le circuit hydraulique sous pression.

### **I. THERMOSTAT DE SECURITÉ (par activation manuel)**

Fixé sur le tuyau du liquide sortant du condenseur ce appareil est électriquement branché en amont de tous autres dispositifs de contrôle et il arrête le fonctionnement de la machine quand a senti que la température de la ligne liquide a montée à 75°C or pression correspondant.

### **J. INTERRUPTEUR DE NETTOYAGE (I-II)**

Interrupteur manuel "Cleaning-Opérations" logé sur la boîtier électrique, alimentant les vannes électromagnétiques d'eau et de "gaz chauds" pour assurer le dégivrage manuel et le rinçage du circuit d'eau lors des opérations de nettoyage.

### **K. ÉLECTROVANNE D'ADMISSION D'EAU (Modeles refroidi par eau)**

Une électrovanne d'arrivée d'eau spécial est utilisée sur les machines refroidis par eau avec une entre et deux sorties pour alimenter d'eau le condenseur et le réservoir (cuve). Cette deuxième sortie de l'électrovanne est commandée par un pressostat H.P. et elle fait arriver au condenseur un débit d'eau adéquate pour maintenir la valeur de pression de condensation entre la plage voulue.

### **L. PRESSOSTAT H.P. (Modeles refroidi par eau)**

Utilisée seulement sur les machines refroidis par eau le pressostat H.P. contrôle le fonctionnement de la vanne d'alimentation d'eau au condenseur pour limiter les variations de la pression de la condensation selon la température de l'eau (7,5÷10,5 bar).

## INSTRUCTIONS D'ENTRETIEN ET DE NETTOYAGE

### A. GÉNÉRALITES

La fréquence et le mode d'emploi pour l'entretien et le nettoyage sont donnés à titre indicatif et ne constituent pas une règle absolue d'utilisation. La fréquence de nettoyage variera en fonction des conditions de température ambiante du local et de l'eau et aussi de la quantité de glace produite. Chaque machine doit être entretenu individuellement en conformité avec son utilisation propre.

### B. ENTRETIEN

#### NETTOYAGE DU CIRCUIT D'EAU

1. Enlevez les panneaux devant et supérieur de manière à avoir accès à la boîte de contrôle et à l'évaporateur.
2. Attendez que la machine complète le cycle en cours et termine aussi le démoulage puis positionner l'interrupteur général sur la position "OFF" et fermer la vanne d'arrêt d'eau.
3. Enlevez toute la glace déposée dans la cabine de stockage pour éviter qu'elle soit contaminée par la solution de nettoyage puis.
4. Enlevez toute la glace déposée dans la cabine de stockage pour éviter qu'elle soit contaminée par la solution de nettoyage.



5. Préparez la solution de nettoyage suivante: mélangez environ 200 ÷ 300 gr de Détartrante pour machine à glaçons dans 3 lt. environ d'eau chaude (45 ÷ 50 °C) contenue dans un bac en plastique (code 001009 01).

**AVERTISSEMENT.** Le produit de nettoyage Ice Machine Cleaner contient de l'acide phosphorique et de l'acide hydroxyacétique.

Ces constituants sont corrosif et peuvent provoquer des brûlures en cas d'absorption. **NE PAS PROVOQUER DE VOMISSEMENT.**

Administrez de grandes quantités d'eau ou de lait. Appeler immédiatement le médecin. En cas de contact externe, rincer abondamment avec de l'eau. **GARDER HORS DE PORTEE DES ENFANTS.**

6. Démontez le couvercle d'évaporateur puis verser lentement sur l'évaporateur la solution préparée avant.

A l'aide d'un pinceau nettoyez les points cachés où les dépôts calcaires sont plus résistants.

7. Positionnez l'interrupteur de lavage sur la position **II CLEAN** et alimenter la machine à travers l'interrupteur général.

**NOTA.** Quand la machine est en LAVAGE, le seul composant en fonctionnement est la pompe à eau qui doit faire circuler la solution de nettoyage à l'intérieur du circuit d'eau.

8. Laissez la machine à glace fonctionner dans cette position pendant environ 20-25 minutes puis arrêter la machine avec l'interrupteur général.

9. Vidangez le réservoir d'eau pour le libérer de la solution de nettoyage utilisée puis, à plusieurs reprises, versez sur l'évaporateur deux ou trois carafes d'eau potable avec le produit bactéricide code 264000 02 afin de faire un bon rinçage et stériliser le système hydraulique de la machine. Si nécessaire enlevez le système d'arrosage pour le nettoyer soigneusement à la main.

10. Positionner l'interrupteur général sur "ON" pour alimenter de nouveau la machine. La pompe à eau cette fois refoule simplement l'eau versée avant, avec le liquide bactéricide, sur l'évaporateur pour rincer les parties intérieures de la machine et pour le stériliser dans le même temps. Attendre 10 minutes environ, puis arrêter la machine et vidanger l'eau contenue dans la cuve

11. Ouvrir la vanne d'arrêt d'eau et mettre la machine en marche. Si faisant, on vient d'activer la vanne d'arrivée d'eau pour permettre un correct remplissage et la pompe à eau.

12. Une fois que le niveau d'eau déborde par le trop plein (eau qui coule par le tuyau de vidange) il faut mettre l'interrupteur sur **I ON** au but de faire marcher la machine en fonctionnement automatique.

13. Réinstallez le couvercle de l'évaporateur et remontez les panneaux enlevés avant.

14. Quand le cycle est complété et les glaçons sont démoulés examinez chaque cube de glace pour s'assurer qu'ils sont bien transparent et que tout le goût acide a été éliminé.

**ATTENTION.** Si les glaçons sont opaques et ils ont un goût acide il faut les faire fondre en versant sur eux de l'eau chaude.

15. Nettoyez avec un chiffon propre les parois intérieures de la cabine de stockage.

**RAPPELEZ.** que pour prévenir l'accumulation des bactéries ou micro-organismes indésirables il est bien nécessaire de stériliser toutes les semaines l'intérieur de la cabine de stockage à l'aide du produit désinfectant/anti algues.

# ALLGEMEINES INFORMATIONEN UND INSTALLATION

## A. EINLEITUNG

Die Eiswürfelbereiter wurden für hohen Qualitätsstandard entwickelt und hergestellt. Jede Maschine wird mehrere Stunden lang geprüft und ist in der Lage, maximale Leistung in jeder Situation und bei jeder spezifischen Nutzung zu garantieren.

**ANMERKUNG.** *Um die Qualitäts- und Sicherheitseigenschaften dieses Eiswürfelbereiters nicht zu beeinträchtigen oder zu vermindern, wird geraten, sich während der Installation und der Wartungsarbeiten genau an dieses Handbuch zu halten.*

## B. AUSPACKEN UND KONTROLLE

1. Führen Sie eine Sichtkontrolle der Kartonverpackung und der Holzbasis, welche für den Versand benutzt wurden, durch. Jeder Schaden an der Verpackung muß an den Transporteur weitergeleitet werden; in diesem Fall setzt man die Kontrolle im Beisein des Vertreters des Transporteurs fort.

2. a) Entfernen Sie die Plastikbänder, die die Kartonverpackung geschlossen halten  
b) Öffnen Sie den oberen Teil der Verpackung und entfernen Sie die Polystyrolblätter und -Ecken  
c) Heben Sie den ganzen Karton an und ziehen Sie ihn vom Gerät ab

3. Nehmen Sie jetzt den vorderen und hinteren Schutz vom Gerät ab und untersuchen Sie das Gerät auf eventuelle Schäden. Teilen Sie dem Transporteur sofort eventuelle Schäden mit und gehen Sie wie bei Punkt 1 vor.

4. Nehmen Sie alle internen Stützen für den Transport und die Klebebänder ab

5. Kontrollieren Sie, daß die Leitungen des Kühlkreislaufes nicht mit anderen Leitungen oder Oberflächen in Berührung kommen und daß der Ventilator sich frei drehen kann.

6. Mit einem sauberen feuchten Tuch säubert man die Innenwände des Eisbehälters und die äußeren Oberflächen des Gerätes.

7. Kontrollieren Sie die Daten auf dem Schild an der Rückseite des Rahmens neben den hydraulischen und elektrischen Anschlüssen, und kontrollieren Sie, ob die elektrische Versorgung mit der übereinstimmt, die auf demselben Schild angegeben ist.

**ACHTUNG.** Bei falscher elektrischer Versorgung erlischt automatisch Ihr Anrecht auf Garantie.

8. Füllen Sie die Garantiekarte im Innern des Handbuches aus, indem Sie sowohl das Modell, als auch die Seriennummer des Gerätes angeben, die Sie dem Schild auf dem Rahmen entnehmen können.

## C. POSITIONIERUNG UND AUSGLEICHUNG

**ACHTUNG.** Dieser Eiswürfelbereiter wurde dazu entwickelt, um in Innenräumen aufgestellt zu werden, in denen eine Raumtemperatur herrscht, die nie unter 10°C sinkt oder über 40°C steigt.

Längere Funktionszeiträume bei Temperaturen außerhalb der obenstehenden Grenzwerte stellen eine falsche Nutzung nach den Garantiebedingungen dar, wodurch der Anspruch auf Garantie erlischt.

1. Stellen Sie das Gerät am endgültigen Standpunkt auf.

Die Kriterien für denselben sind:

a) Raumtemperatur mindestens 10°C und höchstens 43°C.

b) Temperatur der Wasserversorgung: mindestens 5°C und höchstens 35°C

c) Gut belüfteter Ort, um eine gute Ventilation des Gerätes und damit die korrekte Funktion des Kondensators zu garantieren

d) Angemessener Platz für die Anschlüsse, die auf der Rückseite des Gerätes angeordnet sind. Man läßt mindestens 15 cm Raum um das Gerät, damit eine korrekte und wirksame Luftzirkulation möglich ist; besonders bei Ausführungen, die mit Luft gekühlt werden.

**ANMERKUNG.** *Bei eingebautem Gerät reduziert sich die Eisproduktion gemäß Diagramm. Die tägliche Produktionskapazität ändert sich mit der Raumtemperatur, der Wasserversorgung und dem Freiraum um das Gerät. Um die Produktion Ihres Eiswürfelbereiters zu maximieren, ist es notwendig, die regelmäßige Wartung gemäß dem entsprechenden Kapitel dieses Handbuches auszuführen.*

2. Richten Sie das Gerät durch die Füße, von vorne nach hinten und von links nach rechts in beiden Richtungen aus.

**ANMERKUNG.** *Dieser Eiswürfelbereiter beinhaltet empfindliche Bauteile höchster Präzision. Daher müssen Stöße und starke Erschütterungen vermieden werden.*

## D. ELEKTRISCHE ANSCHLÜSSE

Beachten Sie das Schild des Gerätes, um dann den Querschnitt und das Kabel entsprechend der angegebenen Spannung zu wählen.

Alle Geräte besitzen ein elektrisches Kabel für die Stromversorgung, das an ein Stromnetz mit einem Erdungskabel angeschlossen werden muß, welches mit einem eigenen Thermomagnetschalter mit entsprechender Sicherung versehen ist, wie aus vom Schild jedes einzelnen Gerätes abzulesen ist. Die maximale Spannungsdifferenz darf maximal 10% des auf dem Schild angegebenen Wertes über- oder unterschreiten. Ein zu niedriger Spannungswert kann abnormale Funktionen und schwere Schäden der Schutzvorrichtungen und elektrischen Spulen hervorrufen.

**ANMERKUNG.** *Alle externen Anschlüsse müssen nach allen Regeln der Kunst und nach den örtlichen Gesetzen und Bestimmungen von qualifiziertem Personal ausgeführt werden.*

Bevor man den Eiswürfelbereiter an das Stromnetz anschließt, prüft man nochmals, daß der gemessene Spannungswert der Spannung entspricht, die auf dem Schild angegeben ist.

## E. HYDRAULISCHE VERSORGUNG UND ABFLUSS

### Voraussetzung

Bei der Wahl der hydraulischen Versorgung des Eiswürfelbereiters muß folgendes beachtet werden:

- a) Länge der Leitungen
- b) Sauberkeit und Reinheit des Wassers
- c) Angemessener Wasserversorgungsdruck.

Ein niedriger Wasserversorgungsdruck, unter 1 bar, kann Störungen der Funktion des Gerätes hervorrufen. Der Einsatz von Wasser mit zu hohem Mineralanteil verursacht die Produktion von trüben Würfeln und hat Ablagerungen in den internen Teile der Wasserleitung zur Folge.

### Wasserversorgung

Den Gewindezapfen-Anschluß zu 3/4 Zoll des Solenoidventils für den Wassereingang an die Wasserversorgungsleitung mit dem mitgelieferten Plastikschlauch Typ Lebensmittelungiftig anschließen.

Die Wasserversorgungsleitung muß mit einem Wasserhahn versehen sein, der sich in der Nähe des Gerätes befindet und gut zugänglich ist.

### Wasserabfluß

Es wird ein Plastikschlauch mit einem Innendurchmesser von 18 mm als Abflußleitung empfohlen.

Der Abfluss des Kondensators ist bei den wassergekühlten Versionen, im inneren am Abfluss des Geräts verbunden.

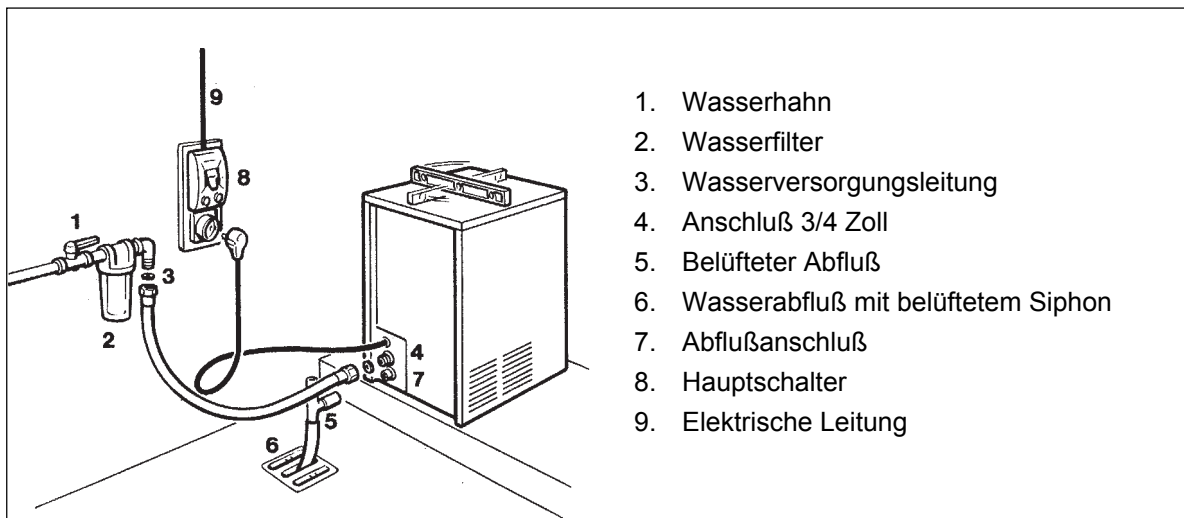
Der Wasserabfluß erfolgt durch Schwerkraft. Um einen ausgeglichenen Abfluß zu garantieren, ist es notwendig, daß die Abflußleitung mit einer Belüftungshaube versehen ist und in einen offenen Siphon abgeht.

**ANMERKUNG.** *Alle hydraulischen Anschlüsse müssen nach alle Regeln der Kunst und in Übereinstimmung mit den örtlichen Gesetzen und Bestimmungen ausgeführt werden. In einigen Fällen ist der Eingriff eines Installateurs erforderlich.*

## F. ENDKONTROLLE

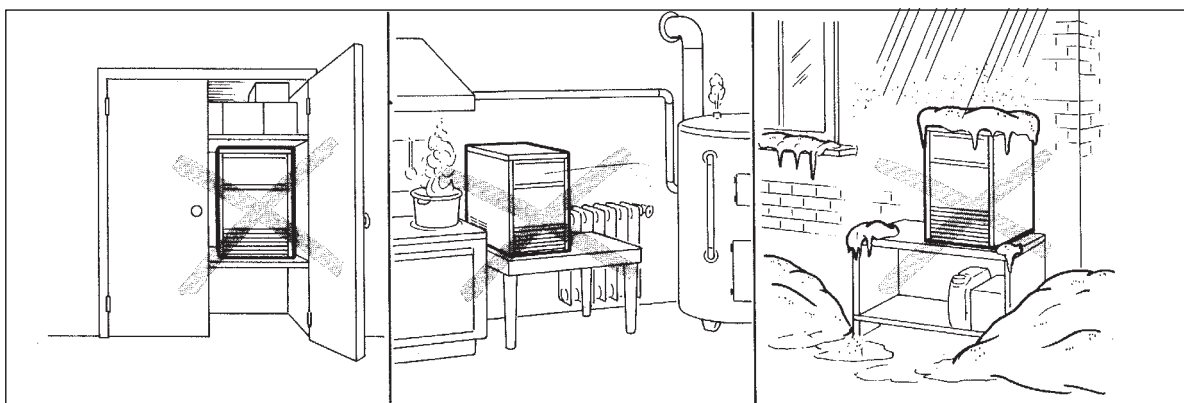
1. Wurde das Gerät in einem Raum aufgestellt, in dem die Mindesttemperatur von 10°C auch in den Wintermonaten nicht unterschritten wird?
2. Befinden sich mindestens 15 cm Freiraum hinter dem Gerät und an den Seiten, damit eine gute Ventilation des Kondensators gewährleistet ist?
3. Ist das Gerät gut livelliert? (SEHR WICHTIG)
4. Wurde das Gerät an das Stromnetz angeschlossen? Wurde der Anschluß an die Wasserleitungen und die Abflußleitungen ausgeführt?
5. Wurden die Spannungswerte der Stromversorgung geprüft? Entspricht die Spannung den Angaben auf dem Schild des Gerätes?
6. Wurde der Wasserdruck kontrolliert, damit dem Gerät ein Eingangsdruck von mindestens 1 bar zur Verfügung steht?
7. Alle Leitungen des Kühlkreislaufes und des Wasserkreislaufes müssen auf Vibrationen oder Reibung kontrolliert werden. Ebenfalls muß kontrolliert werden, daß die Schlauchschellen gut angezogen und die elektrischen Kabel fest angeschlossen sind.
8. Wurden die Muttern, die den Kompressor verankern, kontrolliert? Erlauben diese eine Schwingung der eigenen Halterungen?
9. Wurden die Innenwände des Eisbehälters und die Außenwände des Gerätes gesäubert?
10. Wurde das Handbuch mit den Anweisungen abgeliefert und wurden dem Besitzer die notwendigen Instruktionen für die Funktion und die periodische Wartung des Gerätes gegeben?
11. Wurde die Garantiekarte ausgefüllt? Seriennummer und das Modell auf dem Schild des Gerätes kontrollieren und dann an den Hersteller senden.
12. Wurden dem Besitzer der Name und die Telefonnummer des Kundendienstes seines Bereiches übergeben?

## G. INSTALLATIONSCHEMA



1. Wasserhahn
2. Wasserfilter
3. Wasserversorgungsleitung
4. Anschluß 3/4 Zoll
5. Belüfteter Abfluß
6. Wasserabfluß mit belüftetem Siphon
7. Abflußanschluß
8. Hauptschalter
9. Elektrische Leitung

**ACHTUNG.** Dieser Eisbereiter wurde nicht für die Installation im Freien oder für den Betrieb bei Raumtemperaturen unter 10 °C oder über 43 °C entwickelt. Dasselbe gilt für die Wassertemperatur, die nicht unter 5°C oder über 35°C liegen darf.



# ANWEISUNGEN FÜR DIE FUNKTION

## INBETRIEBNAHME

Wenn das Gerät richtig installiert und an das Strom- und Wassernetz angeschlossen ist, folgendermaßen vorgehen:

**A.** Die vordere Platte vom Eisbereiter abnehmen und den Schalter für den Spülvorgang ausfindig machen.

**B.** Den Schalter für den Spülvorgang auf die Position „IICLEAN“ stellen. Dies schließt den elektrischen Kreislauf des Wasser-Eingangsventils und des Warmgasventils

**C.** Nun stellt man sowohl den Schalter an der elektrischen Versorgungsleitung, als auch den Hauptschalter des Gerätes auf die Position ON (AN). Das Gerät beginnt mit der Abtauphase, wobei folgende Komponenten in Funktion sind:

### **EINGANGSVENTIL WASSER WARMGASVENTIL**

Es arbeiten auch die Pumpe und der Ventilator (nur bei luftgekühlte Modelle)

**D.** Man läßt das Gerät etwa 3 - 4 Minuten lang in Abtauphase, bis man Wasser am Wasserabfluß hat. Danach bringt man den Schalter für den Spülvorgang auf die Position „I ON“

**ANMERKUNG.** Während der Abtauphase tritt Wasser durch das Solenoidventil, das für den oberen Teil des Verdampfers bestimmt ist. Wenn das Wasser die ganze Plastikoberfläche des Verdampfers bedeckt hat, wird das Wasser durch die Wasserabfuhrschlitze in die Sammelwanne abgelassen.

**E.** Das Gerät beginnt so seinen ersten Gefrierzyklus, wobei folgende Komponenten in Funktion sind:

### **KOMPRESSOR PUMPE**

**VENTILATOR** (nur bei luftgekühlte Modelle)

**F.** Durch die Öffnung der Würfelabgabe kontrollieren, daß der Spritzbalken richtig positioniert ist und daß das Wasser gleichmäßig auf die umgedrehten Formen des Verdampfers gespritzt wird.

Kontrollieren, daß der kleine Plastikvorhang korrekt positioniert wurde und den Wasserauslauf durch seine Lamellen verhindert

**G.** Der Prozess der Eisproduktion beginnt mit dem Wasser, das ständig auf die umgedrehten Formen gespritzt wird und mit der ständig abnehmenden Temperatur des Verdampfers.

**H.** Wenn die Temperatur des Verdampfers einen zuvor eingestellten Wert erreicht, schaltet das Thermostat seine Kontakte, beendet somit den Gefrierzyklus und beginnt mit dem Abtauzyklus.

**I.** Kontrollieren, daß während der Abtauphase das Versorgungswasser, das vorher für die Herstellung benutzt wurde, aufgefüllt wird und daß der Überschuß in den Überschußschlauch und dann in den Abfluß des Gerätes geleitet wird.

**J.** Die Eiswürfel kontrollieren, die die richtigen Abmessungen haben müssen. Ist dies nicht der Fall, wartet man auf den zweiten Zyklus der Eisproduktion, bevor man irgend eine Einstellung vornimmt.

**K.** Wenn notwendig, kann die Dauer des Gefrierzyklus verändert werden, indem man das Thermostats des Verdampfers auf der Vorderseite des elektrischen Schaltbrettes leicht dreht (d.h. je 1/20 Drehung), bis man die optimale Abmessung erreicht hat. Das Aussehen der produzierten Eiswürfel prüfen: Würfel, die die richtige Abmessung haben, aber besonders matt erscheinen, weisen auf Wassermangel des Eisbereiters während der Endphase des Gefrierzyklus hin, oder darauf, daß das Wasser, das für die Produktion benutzt wurde, von schlechter Qualität ist und angemessene Filter zur Reinigung einzusetzen sind.

**L.** Während des Abtauzyklus bedeckt man die empfindliche Thermostatkugel mit einigen Eiswürfeln und kontrolliert das Abschalten des Gerätes nach etwa 2 bis 3 Minuten. Man nimmt die Eiswürfel wieder von der empfindlichen Thermostatkugel und kontrolliert das Anschalten des Gerätes nach etwa drei oder vier Minuten.

**M.** Die Platten wieder montieren und den Besitzer über die Funktion des Eisbereiters und die Art der Säuberung und Sterilisierung des Geräts informieren.



## FUNKTIONSPRINZIP

In den Eiswürfelbereitern wird das zur Produktion benutzte Wasser ständig von einer elektrischen Pumpe in Bewegung gehalten, die durch ein Spritzsystem das Wasser bei niedrigem Druck zu den umgedrehten Formen des Verdampfers bringt.

In den Formen gefriert ein Teil des Wassers sofort; das restliche Wasser fällt in die darunter angebrachte Rückgewinnungswanne und kann wieder in den Kreislauf eintreten.

### GEFRIERZYKLUS

Das gasförmige Kühlmittel wird vom Kompressor bei hoher Temperatur gepumpt und durch den Kondensator in flüssiges Kühlmittel verwandelt. Die Leitung der Flüssigkeit erlaubt dem Kühlmittel, vom Kondensator zum Kapillarrohr durch den Entfeuchterfilter zu fließen. Während des Durchflusses durch das Kapillarrohr verliert das flüssige Kühlmittel teilweise seinen Druck und dadurch auch teilweise seine Temperatur. Danach erreicht es die Serpentina des Verdampfers.

Das auf die umgedrehten Formen gespritzte Wasser des Verdampfers gibt Wärme an das zirkulierende Kühlmittel im Innern der Serpentina ab, verursacht somit die Verdampfung und den Übergang vom flüssigen in den gasförmigen Zustand. Das Kühlmittel im Dampfzustand wird wieder vom Kompressor durch die Ansaugleitung angesaugt, nachdem es durch den Akkumulator geflossen ist.

Der Gefrierzyklus wird von einer Temperaturkontrolle (Thermostat Verdampfer) reguliert, die die Dauer des Zyklus und dadurch auch die Abmessung der Würfel bestimmt.

Die Komponenten, die während des Gefrierzyklus funktionieren, sind:

#### DER KOMPRESSOR

#### DIE PUMPE

#### DER VENTILATOR (bei luftgekühlten Modelle)

Bei den Ausführungen, die mit Luft gekühlt werden, fällt der Druck im Zulauf des Kühlsystems (Hochdruck) nach und nach von einem Wert von 10,5 bar (bei einer Raumtemperatur von 21 °C), den man bei Beginn des Gefrierzyklus aufzeichnet, bis zu einem Mindestwert von 6 bar am Ende des Gefrierzyklus ab.

Diese Werte erhöhen sich proportional mit der Raumtemperatur, bei der das Gerät installiert ist. Bei Geräten, die unter normalen Bedingungen installiert sind (21°C Raumtemperatur), sinkt der Ansaugdruck oder der niedrige Druck schnell auf 1 bar bei Beginn des Gefrierzyklus ab, d.h. wenn der Eiswürfel beginnt, sich zu bilden, indem sich der Druck langsam auf 0 (0.1 bar senkt, wenn der Eiswürfel voll hergestellt ist.

Bei den wassergekühlten Modelle wird ein Pressostat verwendet, der, in intermittierender Weise ein Solenoid ventil (auf der Wasserversorgung am Kondensator) elektrisch aktiviert.

## ABTAUZYKLUS ODER ABTAUUNG

Wenn das Thermostat des Verdampfers die entsprechende Temperatur mißt, die bei voll hergestellten Eiswürfeln erreicht wird, wechseln die Kontakte des Thermostats ihre Position und versorgen folgende Bauteile:

### KOMPRESSOR

### WASSEREINGANGSVENTIL

### WARMGASVENTIL

Das Wasser am Eintritt geht durch das Solenoid-Eingangsventil und die Flußkontrolle, die sich im Innern desselben befindet, erreicht den oberen Teil des Verdampfers, wo es durch die Ablaufschlitze in die darunter liegende Sammelwanne der Pumpe fließt.

Der Maximalstand des Wassers im Tank wird von einem Überstandsschlauch begrenzt, welcher die Aufgabe hat, das überflüssige Wasser in den Abfluß zu leiten.

Das Kühlmittel in Gaszustand, das vom Kompressor gepumpt wird, wird nun vom offenen Warmgasventil direkt zur Serpentine des Verdampfers geleitet und nicht durch den Kondensator.

Das warme Gas, das im Innern der Serpentine des Verdampfers zirkuliert, erhöht nun die Temperatur der Formen, wodurch sich die Eiswürfel ablösen.

Die gelösten Eiswürfel fallen auf ein schräges Gitter, rutschen von dort durch eine Öffnung mit einem Lamellenvorhang und fallen in den Eisbehälter.

Dank des Warmgasflusses in der Serpentine des Verdampfers steigt die Temperatur desselben an und damit auch die Temperatur der empfindlichen Thermostatkugel des Verdampfers, der seine Kontakte ändert, indem die Spule des Warmgasventils und des Wassereingangsventils deaktiviert und die Wasserkreislaufpumpe und der Ventilator aktiviert wird und somit der neuen Gefrierzyklus beginnt.

## BESCHREIBUNG DER KOMPONENTEN

### A. PUMPE

Die Pumpe arbeitet nur ständig während des Gefrierzyklus, und führt das Wasser zur Spritzplatte.

Von der Spritzbalken wird das Wasser durch die Spritzer auf die umgedrehten Formen gebracht. In dieser Phase wird das Wasser entsprechend belüftet und dadurch können kristallklare und feste Eiswürfel produziert werden.

Es wird empfohlen, den Zustand der Lager mindestens alle 6 Monate zu kontrollieren.

### B. SOLENOIDVENTIL WASSEREINGANG - ANSCHLUSS 3/4 ZOLL GAS GEWINDEZAPFEN

Das Solenoidventil des Wassereinganges auf der Hinterseite des Gerätes wird nur während der Abtauphase erregt.

Wenn das Ventil erregt ist, kann eine begrenzte Wassermenge in den oberen Teil des Verdampfers fließen, um das Warmgas beim

Ablösen der Eiswürfel aus den Formen zu unterstützen. Dieses Wasser wird dann von der Platte des Verdampfers durch die Ablaufschlitze in die darunter liegende Sammelwanne geleitet, wo es von der Pumpe angesaugt und zum Spritzbalken geleitet wird.

### C. SOLENOIDVENTIL DES WARMGASES

Das Solenoidventil des Warmgases besteht aus zwei Teilen: dem Körper und der Spule. Auf Zulaufleitung des Kompressors angeordnet wird das Ventil während des Abtauzyklus von den Kontakten 2-3 (zweite Position) und dem Thermostat des Verdampfers aktiviert.

Während des Abtauzyklus wird die Spule, die sich am oberen Teil des Warmgasventils befindet, aktiviert und zieht den Stift im Innern des Ventilkörpers an.

Dieser Stift öffnet den Durchgang für das vom Kompressor gepumpte Warmgas und gestattet so den direkten Fluß in die Serpentine des Verdampfers. Auf diese Weise werden die Eiswürfel aus den Formen gelöst.

### D. THERMOSTAT DES BEHÄLTERS

Das empfindliche Rohr des Behälterthermostats (Kapillarrohr) ist im Schlauch eingesetzt und an der Wand der Ablagekabine für das Eis befestigt. Es hat die Aufgabe, die Funktion des Gerätes zu unterbrechen, wenn der empfindliche Schlauch mit Eis bedeckt ist. Das Gerät wird wieder angestellt, wenn das Eis entfernt wird. Das Behälterthermostat wurde werkseitig so reguliert, daß das Gerät bei 1 °C abgestellt und bei 4 °C wieder angestellt wird.

### E. VERDAMPFERTHERMOSTAT (KONTROLLE DER DIMENSIONEN DER WÜRFEL)

Das Verdampferthermostat auf der Vorderseite des elektrischen Schaltkastens wird in erster Linie für die Temperaturkontrolle benutzt, die Ihre Kontakte 3-2 schließt, wenn die Temperatur sinkt (Ende des Gefrierzyklus) und sie öffnet, indem die Kontakte 3-4 geschlossen werden, wenn die Temperatur ansteigt (Ende Abtauzyklus). Diese Kontrolle bestimmt die Dauer des Gefrierzyklus und damit die Größe der Eiswürfel. Eine zu niedrige Einstellung produziert zu große Eiswürfel, während eine zu hohe Einstellung zu kleine Eiswürfel herstellt. Die Kontakte des Verdampferthermostats auf der zweiten Position (Kontakte 2-3) schließen den elektrischen Kreislauf an den Komponenten des Abtauzyklus und kontrollieren dessen Dauer.

Das Verdampferthermostat wird werkseitig eingestellt (Handgriff auf schwarzem Punkt) und muß bei einer Raumtemperatur von 10°C - 35°C nicht reguliert werden.

**ANMERKUNG.** *Das Thermostat ist sehr sensibel. Einer kleinen Drehung des Handgriffes für die Regelung entspricht eine sehr große Veränderung der Größe des Eiswürfels. Sollte es wirklich notwendig sein, wird eine 1/20 Drehung empfohlen.*

### F. VENTILATOR

Der Ventilator, der mit dem Stromkreis durch die Kontakte 3-4 des Verdampferthermostats verbunden ist, arbeitet nur während des Gefrierzyklus, indem er die Luft durch den Kondensator zirkulieren läßt und so den hohen Druck innerhalb der zuvor eingestellten Werte hält.

### G. HERMETISCHER KOMPRESSOR

Der hermetische Kompressor hat die Aufgabe, die Kühlflüssigkeit im ganzen System zirkulieren zu lassen.

Er saugt das Kühlmittel als Dampf mit niedriger Temperatur auf, drückt es zusammen und erhöht so sowohl die Temperatur, als auch den Druck und wandelt es somit in Dampf mit hohem Druck und Temperatur um, der den Kompressor durch das Ablaufventil verläßt

### H. SPRITZBALKEN

Das von der Pumpe im Innern des Spritzbalkens geförderte Wasser fließt aus den Spritzern heraus, die die Aufgabe haben, den Wasserstrahl in die vom Verdampfer abgekühlten Formen zu richten.

### I. SICHERHEITSTHERMOSTAT

Es befindet sich an der unteren Seite des Schaltkastens (manuelle Einschiebung) und hält das Gerät an, wenn das Thermostat (an der Flüssigkeitsleitung kurz vor dem Filter des Entfeuchters angebracht), eine Temperatur von 80°C erreicht.

### J. SPÜLSCHALTER

Ein manueller Schalter, der sich im Schaltkasten befindet und die Spule des Warmgasventils und des Wassereingangsventils für die manuelle Wasserzufuhr erregt und um die Leitungen des Gerätes während der Säuberung zu reinigen.

### K. HOCHDRUCKPRESSOSTAT (WASSERGEKÜHLTE VERSION)

Diese Steuerung wird nur in wassergekühlten Versionen verwendet. Sie sorgt dafür, daß der Druck des Kühlmittelsystems gehalten oder gesenkt wird, indem sie die Spule des Wassereinlaß - Magnetventils, das intermittierend den Fluß des Kühlwassers zum Kondensator steuert, aktiviert.

### L. WASSEREINGANGS-SOLENOIDVENTIL

Bei den mit Wasser gekühlten Versionen ist ein zweites Solenoidventil für den Wassereingang des Kondensators vorgesehen, das von einem automatischen Hochdruckwächter überwacht wird. Wenn diese versorgt wird, erlaubt sie einen ausgeglichenen Wasserfluß in die Kühlserpentine des Kondensators zu gelangen, damit die Temperatur und der Druck des, sich im Kreislauf befindlichen, Kühlmittels erniedrigt wird.

## ANWEISUNGEN FÜR DIE REINIGUNG DES WASSERKREISLAUFES

1. Die vordere und obere Wandtafel abnehmen, um Zugriff zum Schaltkasten und zum Verdampfer zu haben.
2. Das Ende des Abtauzyklus abwarten und das Gerät dann durch den Hauptschalter abschalten.
3. In einem sauberen Eimer die Lösung für die Entkalkung vorbereiten, indem man 1 - 2 Liter warmes Wasser (45-50 °C) mit 0,2 Liter Entkalkungsmittel vermischt.

**ACHTUNG. Entkalkungsmittel für Eisbereiter enthalten eine Lösung aus Phosphorsäure und essigsäurem Hydroxid. Diese Lösung ist ätzend und kann, wenn eingenommen, Magenbeschwerden hervorrufen. In diesem Fall muß eine große Menge Wasser oder Milch getrunken und sofort ein Arzt gerufen werden. Bei Hautkontakt ist es ausreichend, mit viel Wasser zu spülen. VOR KINDERN FERN HALTEN.**

4. Das ganze Eis aus dem Behälter nehmen, damit es nicht mit der Entkalkungslösung in Kontakt kommt.
5. Entfernen Sie den am Boden des Sumpfs / der Gefrierkammer befindlichen Kunststoffbecher, um alles Wasser und Ablagerungen ablaufen zu lassen.



6. Den Deckel des Verdampfers abnehmen und langsam die Entkalkungslösung zwischen die Kupferformen laufen lassen. Einen Pinsel benutzen, um die Verkalkung in den unzugänglicheren Ecken zu entfernen.
7. Den Spülschalter auf „IICLEAN“ stellen, den Wasserhahn schließen und das Gerät mit dem Hauptschalter anstellen.

8. Das Gerät etwa 20 Minuten laufen lassen.

**ANMERKUNG.** Die Menge des Entkalkungsmittels, wie auch die benötigte Zeit für die Entkalkung hängen von dem Zustand des Wasserkreislaufes ab (Ablagerungen)

9. Das Gerät abschalten, die Entkalkungslösung ablassen und in den oberen Teil des Verdampfers 2 oder 3 Liter Trinkwasser schütten, um sowohl die Formen, als auch die Plastikplatte zu spülen.
10. Das Gerät anschalten. Die Pumpe beginnt zu arbeiten, um das Wasser neu zirkulieren zu lassen und das Innere der hydraulischen Anlage zu spülen.
11. Die Punkte 8 und 9 mindestens 2 Mal wiederholen.

12. Auf den oberen Teil des Verdampfers eine Karaffe Wasser mit Desinfektionsmittel gießen und das Gerät wieder anschalten, damit der ganze hydraulische Kreislauf etwa 10 Minuten lang desinfiziert wird.

**ACHTUNG. das Desinfektionsmittel nicht mit dem Entkalkungsmittel mischen, damit keine aggressiven Säuren entstehen können.**

13. Das Desinfektionsmittel aus dem Tank laufen lassen, den Wasserhahn öffnen und das Gerät einschalten.
14. Wenn man am Ablauf das Austreten von Wasser bemerkt, schaltet man den Spülschalter auf ION, um das Gerät wieder normal arbeiten zu lassen.
15. Den Deckel des Verdampfers und die Wandtafeln montieren.
16. Kontrollieren, daß die Eiswürfel nach dem ersten Gefrierzyklus durchsichtig sind und keinen Säuregeschmack haben.

**ACHTUNG. Keine matten - weißen Würfel mit Säuregeschmack benutzen, die nach der Desinfektion und Entkalkung des hydraulischen Systems produziert werden könnten. Auf jeden Fall ist es am besten, wenn man lauwarmes Wasser in den Behälter schüttet, um die ersten produzierten Eiswürfel aufzulösen.**

17. Die Innenwände des Eisbehälters abspülen.

**ANMERKUNG.** Es wird daran erinnert, daß die Innenwände des Behälters zur Vermeidung von Bakterienbildungen **jede Woche mit einer Mischung aus Wasser und Desinfektionsmittel desinfiziert werden sollten.**

# SIMAG

ICE MACHINES

[www.simag.it](http://www.simag.it)

SIMAG  
via Risorgimento, 4  
20017 Mazzo di Rho (MI) - Italy  
Tel. +39 02 93900215 (Commerciale - Sales Dept.)  
Tel. +39 02 93960357 (Assistenza - Service Dept.)  
Fax +39 02 93900226 (Commerciale - Sales Dept.)  
Fax +39 02 93960366 (Assistenza - Service Dept.)  
e-mail: [sales@simag.it](mailto:sales@simag.it)  
e-mail: [service@simag.it](mailto:service@simag.it)

Singapore Office  
SIMAG FAR EAST  
627A Aljunied Road  
04-04 Biztech Centre  
Singapore 389842  
Tel. ++65 6738 5393  
Fax ++65 6738 1959  
e-mail: [scotsice@singnet.com.sg](mailto:scotsice@singnet.com.sg)



Certified ISO 9001  
TOTAL QUALITY

