



Warewashing 540 plates/h single skin dishwasher with water softener, rinse aid dispenser and atmospheric boiler

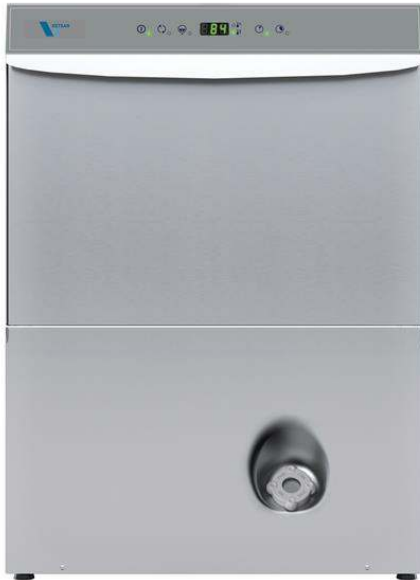
ITEM # _____

MODEL # _____

NAME # _____

SIS # _____

AIA # _____



400244 (NLA3W)

Undercounter dishwasher with single skin, power boiler, water softener, rinse aid dispensers, 3 phases, 540d/h

Short Form Specification

Item No.

304 AISI stainless steel front and side panels, door, control panel and wash tank. Double skinned door. Wash tank with rounded corners. Wash arms and jets in polypropylene, easy to remove. 2 wash cycles 120/180 seconds. Soft start wash pump to avoid accidental breakage of dishes/glasses. Washing system with rotating washing arms, large capacity wash pump and tank volume. Built-in atmospheric boiler (4,5 kW), 5,8 liter capacity, with rinse pump to guarantee a constant hot rinse temperature of 84°C. Boiler with 304 welding for protection against corrosion. Double-sized built-in water softener with external salt loading tap (for continuous use up to 4 hours before regeneration). Electronic controls with temperature display. External connecting box protected by a waterproof plastic cover. High efficiency air gap (class A) in water inlet circuit to avoid water being syphoned back into the network as a result of a sudden drop in mains pressure. Self-cleaning cycle. Rinse aid dispenser. Pre-arranged for drain pump kit. Pre-arranged for connection on site to an external detergent dispenser.
Hourly capacity: 540 dishes/30 baskets mm500x500.
Supplied with: n. 1 basket for plates and n. 1 cutlery holder.

Main Features

- Built-in atmospheric boiler with rinse booster pump to provide constant water temperature and pressure for rinsing, independent from water inlet.
- Equipped with water softener having double sized resin containers for longer operating hours (up to 4 hours constant use) and long-lasting wash cycles without regeneration.
- Incorporated Soft Start feature to offer additional protection to more delicate items.
- Washing system endowed with rotating washing arms, high powered wash pump and large capacity boiler for professional washing.
- 4 second (variable) pause after washing and before rinsing ensures that no drops of unclean water will fall on the clean items at the end of the rinsing cycle.
- Fully automatic self-cleaning cycle avoids the risk of bacteria proliferation.
- 120/180 seconds cycle.
- Easy to remove wash/rinse arms and filter.
- Simple control panel with digital display allows on-site personalization of washing and rinsing cycle times and temperatures as well as precise rinse aid and detergent quantities to suit customer's needs.
- Digital display with on/off and regeneration button, clean cycle and/or drain (when pump installed).
- IPx4 water protection.
- Pre-arranged to accept external dispensers.
- Pre-arrangement for HACCP system implementation and Energy Management device.
- Three phase or single phase electrical connection, convertible on-site.

Construction

- Unit to feature smooth surfaces to facilitate cleaning.
- 304 stainless steel boiler with higher welding protection to increase resistance to corrosion.
- PVC water supply hose with metal connections resistant to high water pressure.
- Completely closed on the back by a cover plate.
- Front and side panels, door and wash tank made in heavy duty anti-corrosive AISI 304 stainless steel.

Included Accessories

- 1 of Yellow cutlery container PNC 864242
- 1 of Basket for 18 dinner plates - yellow PNC 867002

Optional Accessories

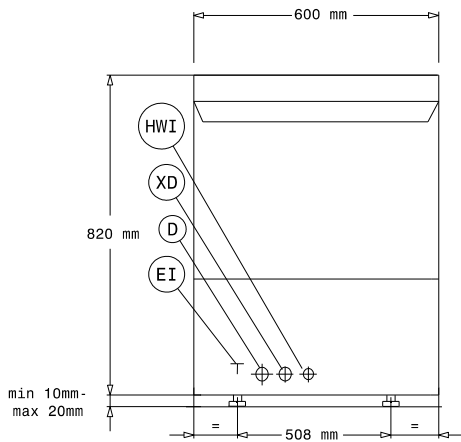
- Stand for undercounter dishwasher PNC 860418
- External detergent level probe kit PNC 864004
- External rinse aid level probe kit PNC 864005
- KIT 4 FLANGED FEET (MARINE FEET) FOR UC DW PNC 864009
- Drain pump kit for 50Hz dishwashers PNC 864012
- Stainless steel inlet hose kit PNC 864016

APPROVAL: _____

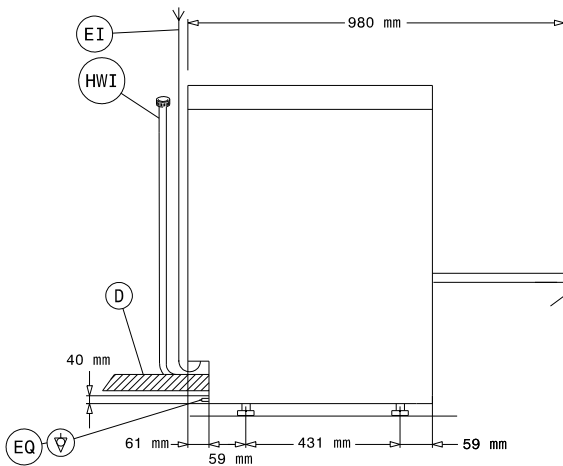
Warewashing
540 plates/h single skin dishwasher with water softener, rinse aid dispenser and atmospheric boiler

- Kit to measure total/partial water hardness PNC 864050
- Detergent pump kit PNC 864218
- Stainless steel tank filter for single skin undercounter PNC 864222
- Yellow cutlery container PNC 864242
- Filter for total demineralization PNC 864367
- Pressure reducer for single tank dishwasher PNC 864461
- Half size basket universal PNC 864527
- Half size basket for plates PNC 864528
- Half size basket for glasses PNC 864529
- Kit 4 plastic boxes for cutlery - yellow PNC 865574
- Basket for 18 dinner plates - yellow PNC 867002
- Basket for cups and coffee cups (24-48 pcs) - blue PNC 867007
- Cover rack for small and light items (500x500 baskets) PNC 867016
- Basket for 16 glasses max. height: 70 mm - blue PNC 867023

Front

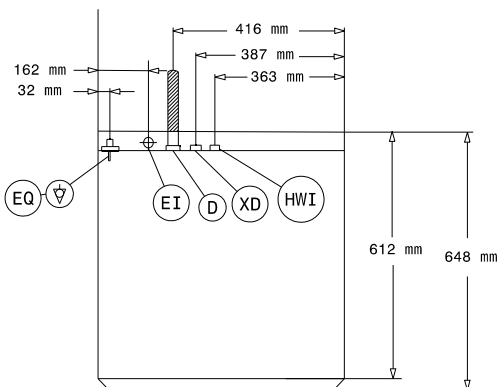


Side



- D** = Drain
- EI** = Electrical inlet (power)
- EO** = Electrical Outlet
- HWI** = Hot water inlet
- XR** = Rinse aid connection

Top



Electric

Supply voltage:	
400244 (NLA3W)	400 V/3N ph/50 Hz
Convertible to:	230V 3~; 230V 1N~
Total Watts:	7.35 kW
Tank heating elements:	2 kW

Water:

Pressure, bar min/max:	1-7 bar
Water supply temperature*:	50 °C
Drain line size:	40 mm
Inlet Water supply pressure:	15 - 102 psi (1 - 7 bar)
Washing tank capacity (lt):	33
Water consumption per cycle (lt):	3
Boiler Capacity (lt):	5.8
Tank Capacity (lt):	33
Hot rinse cycle duration (sec.):	16
Min hot rinse water consumption (lt/cycle)**:	3

Key Information:

Washing cycle temperature:	55-65 °C
Hot rinse cycle temperature:	85 °C
Baskets per hour*:	30
Dishes per hour:	540
Working cycles time (sec.):	120/180
N° of working cycles:	2 (120/180)
Wash temperature:	55-65°C
Cell dimensions - width:	500 mm
Cell dimensions - depth:	500 mm
Cell dimensions - height:	330 mm
Rinse temperature:	85 °C
External dimensions, Width:	600 mm
External dimensions, Height:	820 mm
External dimensions, Depth:	648 mm
Packaging size (WxDxH):	680x610x920 mm
Noise level:	<70 dBA