



Warewashing 540 plates/h single skin dishwasher with rinse aid dispenser, drain pump and pressure boiler (4,5 kW)

ITEM # _____

MODEL # _____

NAME # _____

SIS # _____

AIA # _____



400242 (NL3P)

Undercounter dishwasher with single skin, power boiler, built-in drain pump, rinse aid dispensers, 3 phases, 540d/h

Short Form Specification

Item No. _____

304 AISI stainless steel front and side panels, door, control panel and wash tank. Double skinned door. Wash tank with rounded corners. Wash arms and jets in polypropylene, easy to remove. 2 wash cycles 120/180 seconds. Soft start wash pump to avoid accidental breakage of dishes/glasses. Washing system with rotating washing arms, large capacity wash pump and tank volume. Built-in pressure boiler (4,5 kW), 5,8 liter capacity for hot rinse cycle (80-90°C). Boiler with 304 welding for protection against corrosion. Drain pump. Electronic controls with temperature display. External connecting box protected by a waterproof plastic cover. Self-cleaning cycle. Rinse aid dispenser. Pre-arranged for connection on site to an external detergent dispenser.

Hourly capacity: 540 dishes/30 baskets mm500x500.

Supplied with: n. 1 basket for plates and n. 1 cutlery holder.

Main Features

- Built-in pressure boiler sized to raise incoming 50 °C water to guarantee a minimum rinsing temperature of 82 °C for sanitizing rinse. No external booster is required.
- Incorporated Soft Start feature to offer additional protection to more delicate items.
- Washing system endowed with rotating washing arms, high powered wash pump and large capacity boiler for professional washing.
- 4 second (variable) pause after washing and before rinsing ensures that no drops of unclean water will fall on the clean items at the end of the rinsing cycle.
- Fully automatic self-cleaning cycle avoids the risk of bacteria proliferation.
- Equipped with drain pump for easy and quick installation without opening the machine.
- 120/180 seconds cycle.
- Simple control panel with digital display allows on-site personalization of washing and rinsing cycle times and temperatures as well as precise rinse aid and detergent quantities to suit customer's needs.
- Easy to remove wash/rinse arms for cleaning.
- Simple service from the front.
- IPx4 water protection.
- Pre-arranged to accept external dispensers.
- Pre-arrangement for HACCP system implementation and Energy Management device.
- Three phase or single phase electrical connection, convertible on-site.

Construction

- Unit to feature smooth surfaces to facilitate cleaning.
- Front and side panels, door and wash tank made in heavy duty anti-corrosive AISI 304 stainless steel.
- 304 stainless steel boiler with higher welding protection to increase resistance to corrosion.
- PVC water supply hose with metal connections resistant to high water pressure.
- Completely closed on the back by a cover plate.

Included Accessories

- 1 of Yellow cutlery container PNC 864242
- 1 of Basket for 18 dinner plates - yellow PNC 867002

Optional Accessories

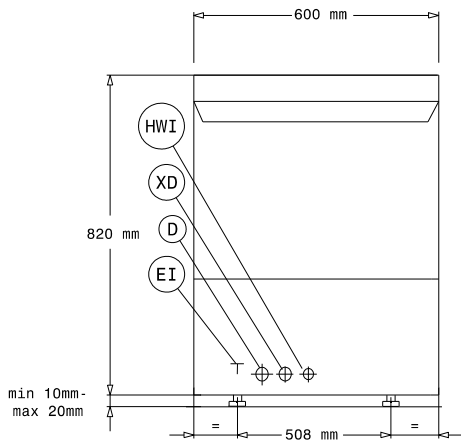
- External manual water softener - 12 lt PNC 860412
- External automatic water softener - 8 lt PNC 860413
- Stand for undercounter dishwasher PNC 860418
- External manual water softener - 20 lt PNC 860430
- External detergent level probe kit PNC 864004
- External rinse aid level probe kit PNC 864005

APPROVAL: _____

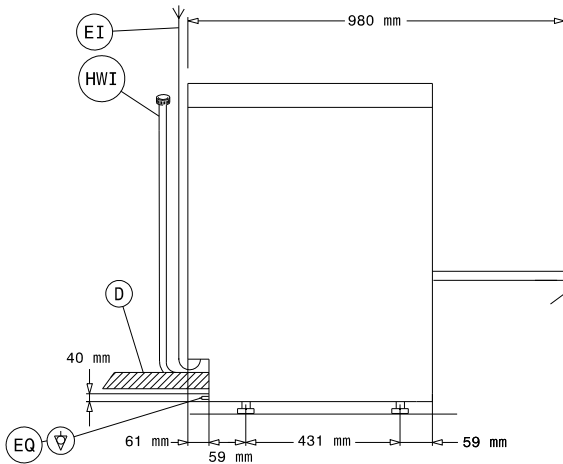
Warewashing
540 plates/h single skin dishwasher with rinse aid dispenser,
drain pump and pressure boiler (4,5 kW)

- KIT 4 FLANGED FEET (MARINE FEET) FOR UC DW PNC 864009
- Stainless steel inlet hose kit PNC 864016
- Filter for partial demineralization PNC 864017
- Kit to measure total/partial water hardness PNC 864050
- Rinse booster pump kit for single tank pressure dishwasher PNC 864051
- Detergent pump kit PNC 864218
- Stainless steel tank filter for single skin undercounter PNC 864222
- Yellow cutlery container PNC 864242
- Filter for total demineralization PNC 864367
- Pressure reducer for single tank dishwasher PNC 864461
- Half size basket universal PNC 864527
- Half size basket for plates PNC 864528
- Half size basket for glasses PNC 864529
- Kit 4 plastic boxes for cutlery - yellow PNC 865574
- Basket for 18 dinner plates - yellow PNC 867002
- Basket for cups and coffee cups (24-48 pcs) - blue PNC 867007
- Cover rack for small and light items (500x500 baskets) PNC 867016
- Basket for 16 glasses max. height: 70 mm - blue PNC 867023

Front

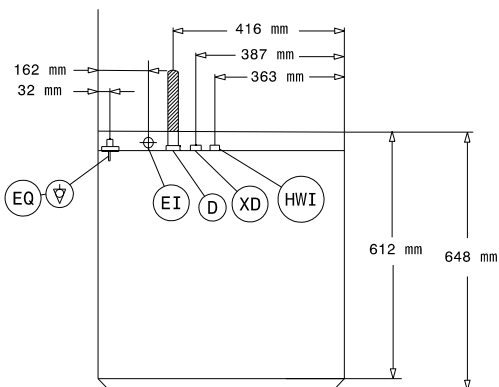


Side



- D** = Drain
- EI** = Electrical inlet (power)
- EO** = Electrical Outlet
- HWI** = Hot water inlet
- XR** = Rinse aid connection

Top



Electric

Supply voltage:	400242 (NL3P)	400 V/3N ph/50 Hz
Convertible to:		230V 3~; 230V 1N~
Total Watts:		7.35 kW
Tank heating elements:		2 kW

Water:

Pressure, bar min/max:	2-3 bar
Water supply temperature*:	50 °C
Drain line size:	20.5mm
Inlet Water supply pressure:	29 - 44 psi (2 - 3 bar)
Washing tank capacity (lt):	33
Water consumption per cycle (lt):	3
Boiler Capacity (lt):	5.8
Tank Capacity (lt):	33
Hot rinse cycle duration (sec.):	16
Min hot rinse water consumption (lt/cycle)**:	3

Key Information:

Washing cycle temperature:	55-65 °C
Hot rinse cycle temperature:	80-90 °C
Baskets per hour*:	30
Dishes per hour:	540
Working cycles time (sec.):	120/180
N° of working cycles:	2 (120/180)
Wash temperature:	55-65°C
Cell dimensions - width:	500 mm
Cell dimensions - depth:	500 mm
Cell dimensions - height:	330 mm
Rinse temperature:	80-90 °C
External dimensions, Width:	600 mm
External dimensions, Height:	820 mm
External dimensions, Depth:	648 mm
Packaging size (WxDxH):	690x620x920 mm
Noise level:	<70 dBA