



**Warewashing  
Glasswasher (small), double skin,  
with water softener, cold rinse, 3  
cycles, 30b/h**

ITEM # \_\_\_\_\_

MODEL # \_\_\_\_\_

NAME # \_\_\_\_\_

SIS # \_\_\_\_\_

AIA # \_\_\_\_\_



**Glasswasher (small), double skin, with water softener, cold  
rinse, 3 cycles, 30b/h**



402239 (NSICW)

Glasswasher (small), double skin, with water softener, cold rinse, 3 cycles, 30b/h

**Short Form Specification**

**Item No.** \_\_\_\_\_

Unit should be Glasswasher type for rack dimension of 400\*400mm. 304 AISI stainless steel front panel, wash tank, tank filter, wash and rinse arms. Double skin door and cabinet. Upper and lower rotary washing arms and rinsing arms. Separate washing and rinsing circuits. Built-in 5 litre boiler, washing temperature 55/65°C and hot rinse temperature 80/90°C. Three washing cycles: 120/300/120 seconds. Rinse aid dispenser. Functions: cold rinse after the hot rinse cycle. Water softener. Hourly capacity: 30 baskets. Supplied with: n. 1 basket for glasses (400x400mm).

**Main Features**

- Incorporated Soft Start feature to offer additional protection to more delicate items.
- Low noise level.
- Rinse booster pump available to be installed on site.
- Extra program to cold rinse beer and wine glasses providing sanitized glasses, cool enough to handle.
- Equipped with water softener to ensure optimal rinsing results.
- Built-in pressure boiler designed to raise incoming water to a guaranteed minimum temperature of 82°C for sanitizing rinse. No external boiler is required.
- Maximum capacity of 30 racks per hour.
- Solid double skinned counter-balance door with hurt-free handle fully in stainless steel.
- Washing system endowed with rotating washing arms from both top and bottom, high powered wash pump and large capacity wash tank guarantee professional washing.
- Easy service access to main components without moving the unit.
- New electronic control panel for easy setup of the working parameters and self diagnosis.
- 120/300/120 seconds cycle, the third cycle includes cold rinse.

**Construction**

- Unit to feature smooth surfaces to facilitate cleaning.
- Completely closed on the back by a cover plate.
- Unit to feature rinse aid dispenser pump.
- Internal elements (arms and filter) easily extractable.
- Wash/rinse arms and nozzles in stainless steel.
- Finished in top quality materials to ensure durability.
- Large tank filter collects the soil to keep the wash water clean for a longer time and have better washing performance.
- Deep drawn pressed wash tank with fully rounded corners, sloped towards the drain to prevent dirt buildup, provides fast drainage in just a few minutes. With no welding points the pressed tank offers a guaranteed water tight solution.
- 304 AISI stainless steel front panel, load bearing frame, wash tank, tank filter, wash and rinse arms.
- Double skin door construction preserves heat inside the tank to lower energy consumption and the noise. Counter-balance mechanism minimizes impact when opening and closing.

**Included Accessories**

- 1 of Stainless steel tank filter PNC 864003
- 1 of Square basket for glasses 400x400x150mm PNC 864470

**Optional Accessories**

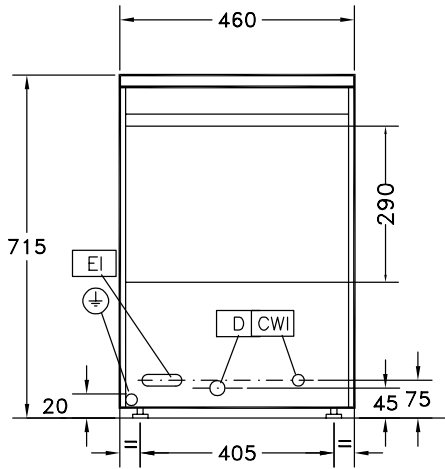
- External manual water softener - 12 lt PNC 860412
- External automatic water softener - 8 lt PNC 860413
- External manual water softener - 20 lt PNC 860430
- Kit to measure total/partial water hardness PNC 864050
- Rinse booster pump kit for single tank pressure dishwasher PNC 864051

APPROVAL: \_\_\_\_\_

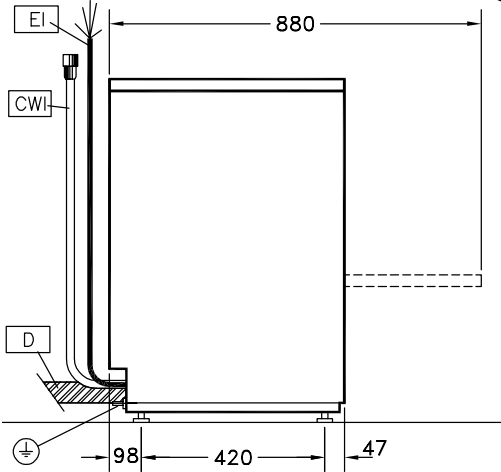


- Yellow cutlery container PNC 864242
- Filter for total demineralization PNC 864367
- Pressure reducer for single tank dishwasher PNC 864461
- Drain pump kit for glasswasher electronic PNC 864465
- Kit detergent dispenser PNC 864469
- Cover rack for small and light items (500x500 baskets) PNC 867016
- Insert for 12 saucers, 290x90x75mm PNC 867048
- Basket for 16 plates diam.190 mm, 8 plates diam. 240 mm PNC 867052
- Basket for glasses (h 200 mm) PNC 867054
- Basket for glasses and saucers/cutlery inserts PNC 867055
- Basket for glasses with angled base PNC 867056
- Round basket kit with square frame PNC 867057
- Insert for "flute" glasses PNC 867058
- Insert for 14 saucers PNC 867060
- Inclined insert for cups PNC 867061
- Insert for 7 plates d. 240mm PNC 867062

**Front**

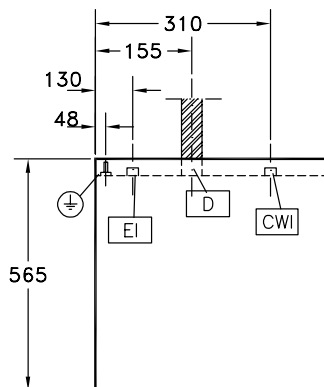


**Side**



- CWI1** = Cold Water inlet 1 (cleaning)
- D** = Drain
- EI** = Electrical inlet (power)
- EO** = Electrical Outlet
- WI** = Water inlet
- XR** = Rinse aid connection

**Top**



**Electric**

<b>Supply voltage:</b>	
402239 (NSICW)	220-240 V/1 ph/50 Hz
<b>Total Watts:</b>	3.3 kW
<b>Tank heating elements:</b>	0,8 kW

**Water:**

<b>Pressure, bar min/max:</b>	1.8-3 bar
<b>Water supply temperature*:</b>	10-55 °C
<b>Washing tank capacity (lt):</b>	6
<b>Boiler Capacity (lt):</b>	5
<b>Incoming water line size:</b>	G 3/4"
<b>Cold rinse cycle duration:</b>	10 sec.
<b>Cold rinse cycle water consumption:</b>	1.8 lt/cycle
<b>Hot rinse cycle duration (sec.):</b>	16
<b>Min hot rinse water consumption (lt/cycle)**:</b>	2.3

**Key Information:**

<b>Washing cycle temperature:</b>	55-65 °C
<b>Hot rinse cycle temperature:</b>	80-90 °C
<b>Working cycles time (sec.):</b>	120/300/120
<b>N° of working cycles:</b>	3 (120/300/120)
<b>Cell dimensions - width:</b>	400 mm
<b>Cell dimensions - depth:</b>	400 mm
<b>Cell dimensions - height:</b>	290 mm
<b>External dimensions, Width:</b>	460 mm
<b>External dimensions, Height:</b>	715 mm
<b>External dimensions, Depth:</b>	565 mm
<b>Net weight:</b>	37 kg
<b>Shipping weight:</b>	44 kg
<b>Shipping height:</b>	880 mm
<b>Shipping width:</b>	650 mm
<b>Shipping depth:</b>	530 mm
<b>Shipping volume:</b>	0.3 m <sup>3</sup>
<b>Noise level:</b>	69 dBA

The claimed noise level is measured according to EN 60335-2-58 (Annex ZAA) / ISO 11204.

**Basket capacity:** 30/h

The claimed capacity is measured when the unit is connected to hot inlet water of 55°C; if the inlet water is cold, the cycle time could be longer.

**Cold rinse cycle temperature:** 10 °C