

CES OMEGA FLEX

Electronic handle sets

Long shield ILS



H11-0



H12-0



H13-0



H14-0



H1-0



H11-C



H12-C



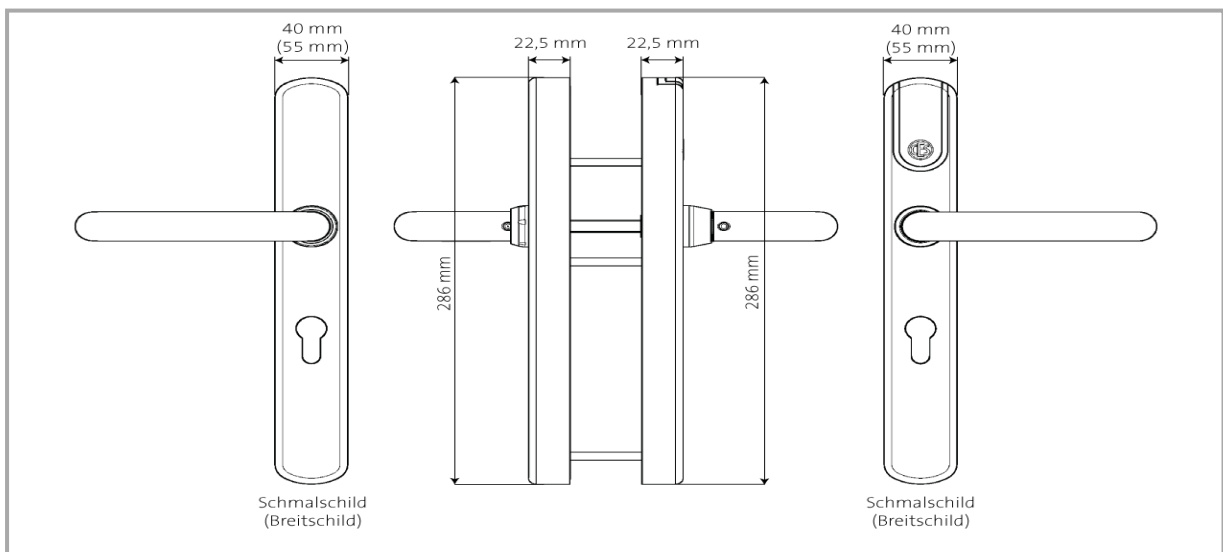
H13-C



H14-C



H15-C



CES OMEGA FLEX - Long shield ILS

Technical Data

Article number	ILS / x	Type	
Suitable locking media		Variants	Narrow shield for use on narrow stile doors, wide shield for use on flush doors, combinations of the two types. Narrow shield to DIN EN 1125, wide shield to DIN EN 1125 The design of the shields enables prep-free installation on replacement of most fittings prepared to DIN/EN standards.
LEGIC	All locking media of type LEGIC prime and LEGIC advant, all locking media ISO 14443	Special designs	Burglar resistance, various lever handle designs, various thumb turns, mechanical ILS without electronics
MIFARE	MIFARE® Classic® (1k/4k), MIFARE® DESFire® EV1 and EV2 (UID conforming to ISO 14443 and application), all ISO 14443 locking media (not MIFARE Ultralight® C)	Outdoor shield temperature	-25 °C to +70 °C for the electronics, standard design weatherproof
Reading range	Ca. 20 mm	Indoor shield temperature	-25 °C to +70 °C
Programming		Prohibited atmospheres	Not suitable for use in corrosive atmospheres (chlorine, ammonia, lime water)
Programming	Offline with Master-Medi Offline via radio with RF-Stick Wireless online network CEStronics V-NET virtual network	Uses	Conforming to DIN EN 179 and DIN EN 1125 with different locks and panic bars
Number of master media	Max. 1: System-Master Max 10: 10 Program-Master, Time-Master, Release-Master, Block-Master, RF-Stick-Master Max. 100: Emergency-Key Unlimited: RF-Ini-Master, RF-Trace-Master	Fire resistance rating	120 minutes conforming to DIN EN 1634-1 and 18273 (T120)
Online radio frequency	868 MHz	Door thickness	From 35 mm to 165 mm
Radio range to Access-Point	Max. 25 m	Backsets	From 25 mm
Encrypted data transmission	128 bit/AES	Distances	From 55 to 100
Storage		Handle square hole	9 mm
Number of locking media	Max. 5.000	Available spindles	7 mm, 8 mm, 8.5 mm, 9 mm and 10 mm
Number of events	Max. 5.000	Cylinder profile apertures	Without (00), Euro (PZ), CH (RZ), UK (OZ)
Connection values	Battery: 2 x Energizer Ultimate Lithium 1,5V AA	Safety class	Optionally conformity to DIN EN 18257 ES2 or to NEN SKG***, DIN EN 1906 Grade 3
Service life of the ILS	Conforming to DIN EN 1906, Grade 7, 200.000 cycles	CE testing	EN 300 220-1-2; EN 300 330-1-2; EN 301 489-1, 3; EN 60950-1, EN 62311
Ordering information			
Required cylinder length	22,5 mm + door thickness + 22,5 mm		

Battery consumption

Usage profile of the ILS handle set	Battery life*
Standby without access operations	up to 5 years
Standby and up to 10 access operations per day	up to 4 years
Max. number of opening/closing operations per battery pack	up to 70,000

*The information applies to an ambient temperature of 20 °C. Deviating temperatures, usage frequency and parameter settings of the locking devices can result in strongly divergent values.

Ordering example

Article number	Multi ID system LEGIC and MIFARE	V	Type	DP	HD	HT	SC	HI	CH	D	SP	DT	CR	CS
		Variant /N, /T, /TV, /NET	Type	Optional drilling position, short shield	Lever handle direction L, R	Lever handle type	Security class	Optional handle inside	Cylinder hole PB, PO, PI	Centre distance 55...100	Spindle 7...10	Door thickness 35...115	Optional colour, reader I, B, W	Optional colour, shield
ILS		/T	N	S	L	H11-0	0	00	PB	92	8	55	I	0