

# CES OMEGA FLEX

Electronic handle sets

Smart shield SIS



H11-0



H12-0



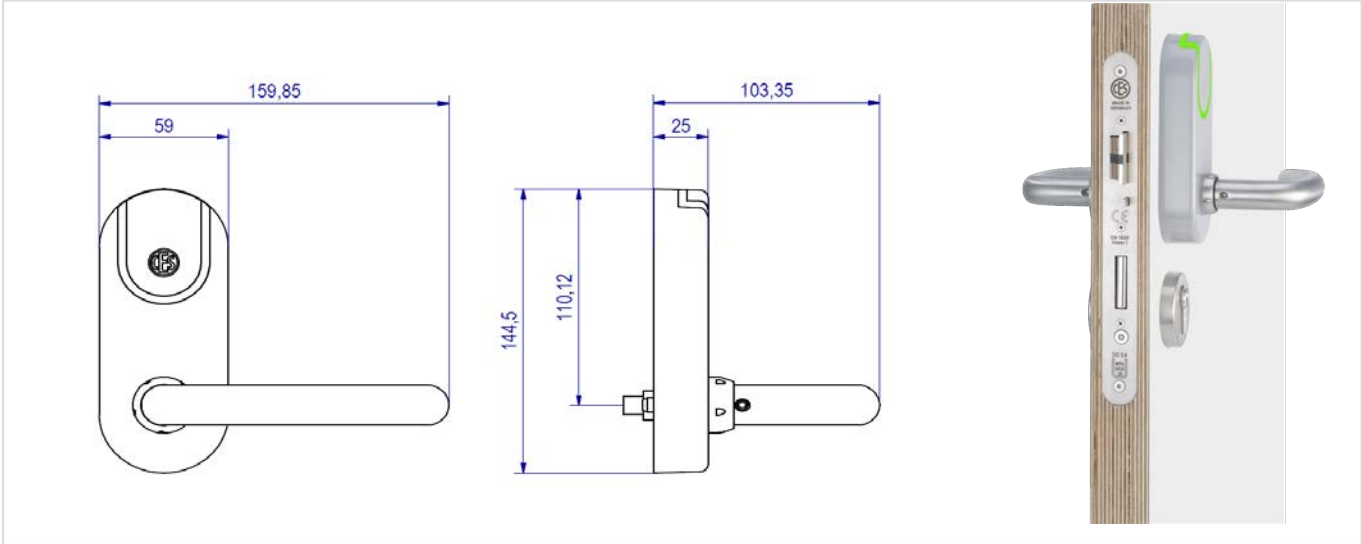
H13-0



H14-0



H15-0



# CES OMEGA FLEX - Smart shield SIS

## Technical Data

Article number	SIS / x
<b>Suitable locking media</b>	
<b>MIFARE®</b>	MIFARE® Classic® (1k/4k), MIFARE® DESFire® EV1 and EV2 (UID conforming to ISO 14443 and application), all ISO 14443 locking media (not MIFARE Ultralight® C)
Reading range	Ca. 20 mm
Online radio frequency	868 MHz
Radio range to Access-Point	Max. 25 m
Encrypted data transmission	128 bit/AES
<b>Variants</b>	Half-set for fixing onto existing fittings Full set incl. indoor rose and handle (only 8 mm spindle) Dual version with electronics on both sides
Coupling follower	8 mm
Available spindles	7 mm, 8 mm, 9 mm
Door thickness	35 mm...115 mm
Backsets	Min. 40 mm
<b>Connection values</b>	Battery: 2 x Energizer Ultimate Lithium 1,5V AAA
Number of locking media	Max. 5.000
Number of events	Max. 5.000
Number of master media	Max. 1 System-Master, max. 10 Program-Master, max. 10 Time-Master, max. 10 Release-Master, max. 10 Block-Master, max. 10 RF-Stick-Masters, max. 100 Emergency-Keys, RF-Ini-Master unlimited, RF-Trace-Master unlimited
Outdoor shield temperature	-25 °C bis +70 °C at 0...95% rH non-condensing
Degree of protection	IP40
Prohibited atmospheres	Not suitable for use in corrosive atmosphere (chlorine, ammonia, lime water)
Service life of the handle set	Conforming to DIN EN 1906 Grade 7, 200,000 cycles
Programming	With Master media, Offline via radio with RF-Stick, CESTronics Wireless online network; CESTronics V-NET virtual network
RAL colors of the handle sets	White: RAL 9003, black: RAL 9005, grey: RAL 7004
<b>Classification</b>	DIN EN 1906:2012-12   4   7   --   B   1   3   0   B
Fire resistance rating	T120 conforming to DIN EN 1634-1 (only with fire resistant indoor handle set and 9 mm spindle e.g. Hoppe FS-E138/42H/42HS)
CE testing	EN 300 220-1-2; EN 300 330-1-2; EN 301 489-1, 3; EN 60950-1, EN 62311

## Ordering example

Article number	ID system MIFARE	V	Type	HD	HT	SP	DT	CS
		Variant /N, /T, /TV, /NET	Type SO, HI, HR, DS	Lever handle direction L, R	Lever handle-type	Spindle 7, 8, 9	Door thickness 35 ... 115	Colour shield B,W,G
SIS		/T	SO	L	H11-0	8	55	B

## Battery consumption

Usage profile of the SIS handle set	Battery life*
Standby without access operations	up to 2.4 years
Standby and up to 10 access operations per day	up to 1.8 years
Max. number of opening/closing operations per battery pack	up to 32,000

\*The information applies to an ambient temperature of 20 °C. Deviating temperatures, usage frequency and parameter settings of the locking devices can result in strongly divergent values.