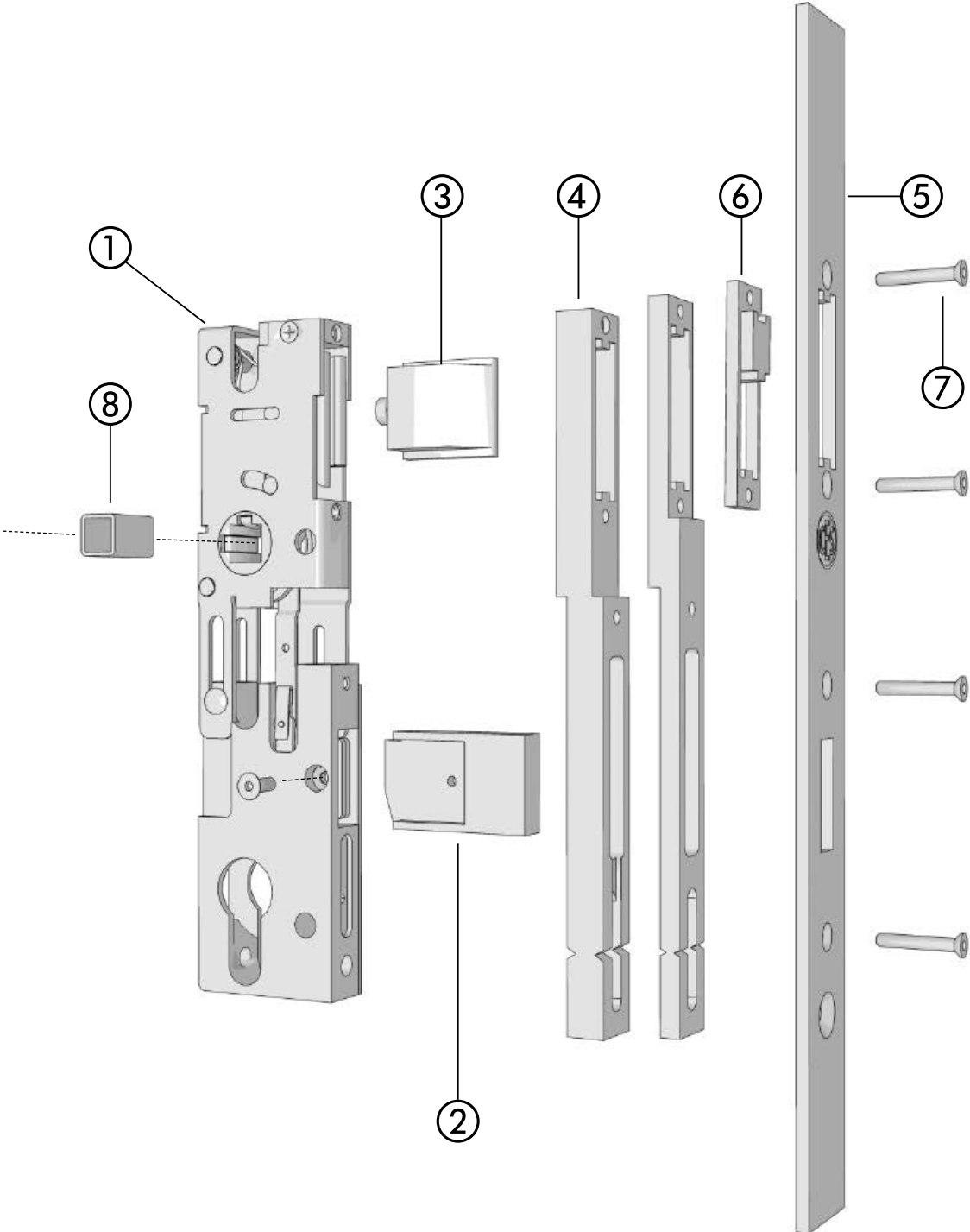


CES vario Flex

Fitting instructions



Fitting sequence

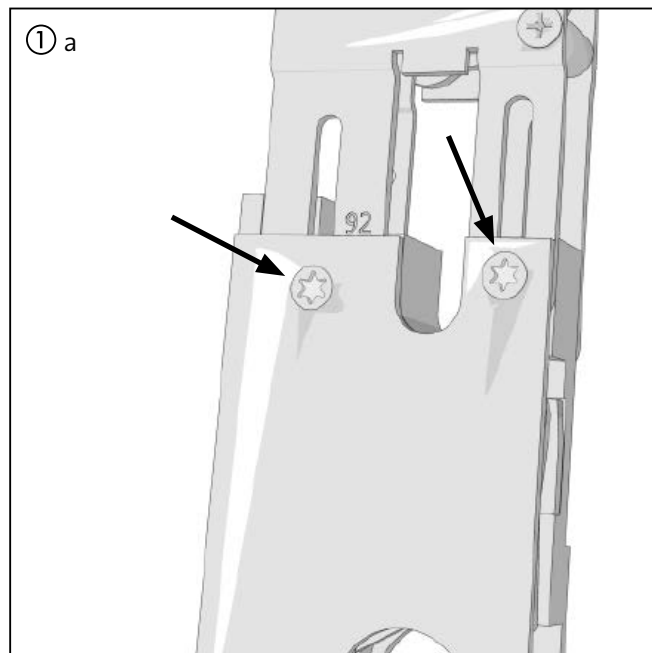
Before you start with the fitting, measure the backset and the centre distance at the old lock.

- ① Adjust lock case
- ② Insert the dead bolt and tighten the screw
- ③ Insert the latch bolt head
- ④ Place spacer strips
- ⑤ Drill forend
- ⑥ Place latch bolt guide
- ⑦ Place forend and tighten the screws
- ⑧ Insert reducer sleeve

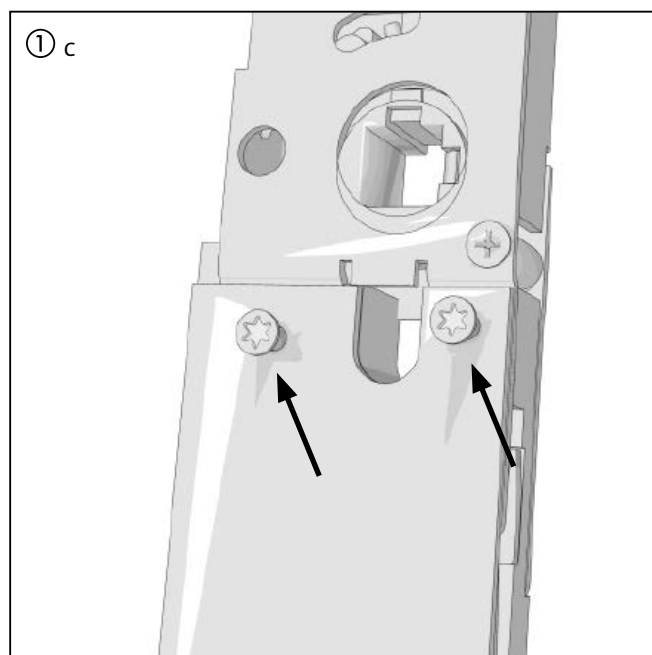
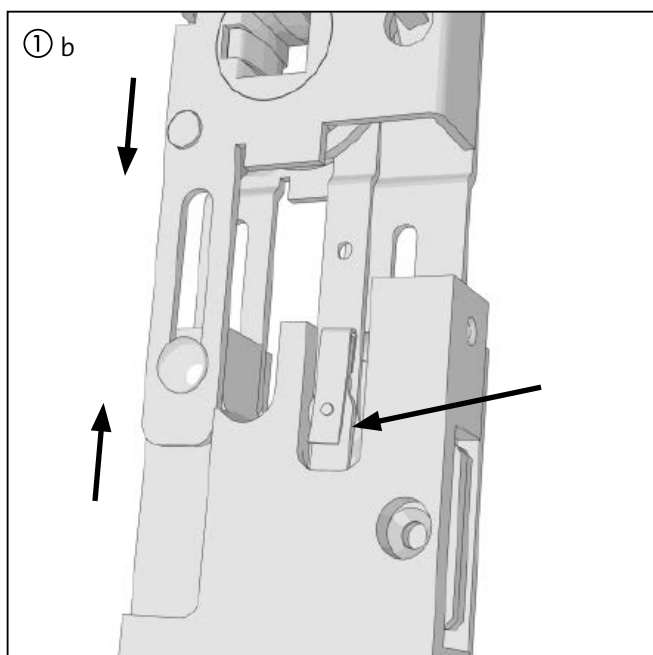
Lift the lever on the rear face with a screwdriver. Now push the lock case together until you feel the stop. Then push the lever again into its original position.

If you require a centre distance of **92 mm**, continue with step 2. Slightly release the two Torx screws to facilitate the subsequent fitting of the forend (step 7).

For a centre distance of **72 mm**, release the two Torx screws (max. one turn).

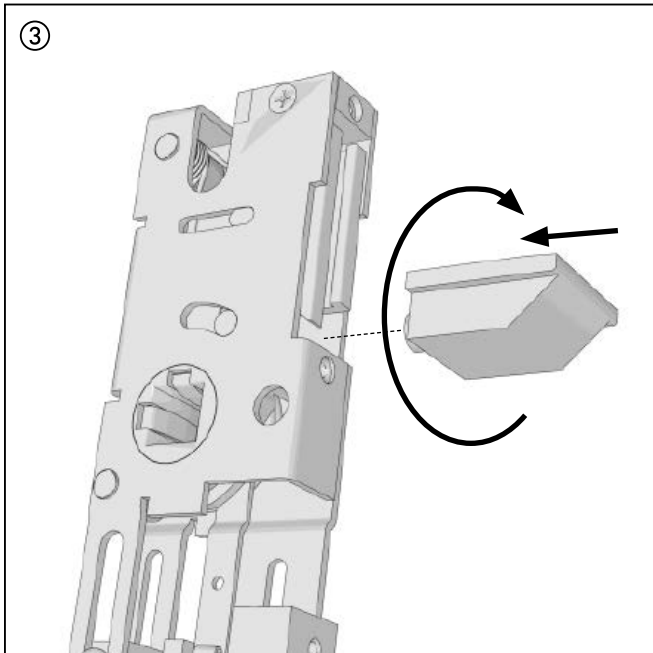
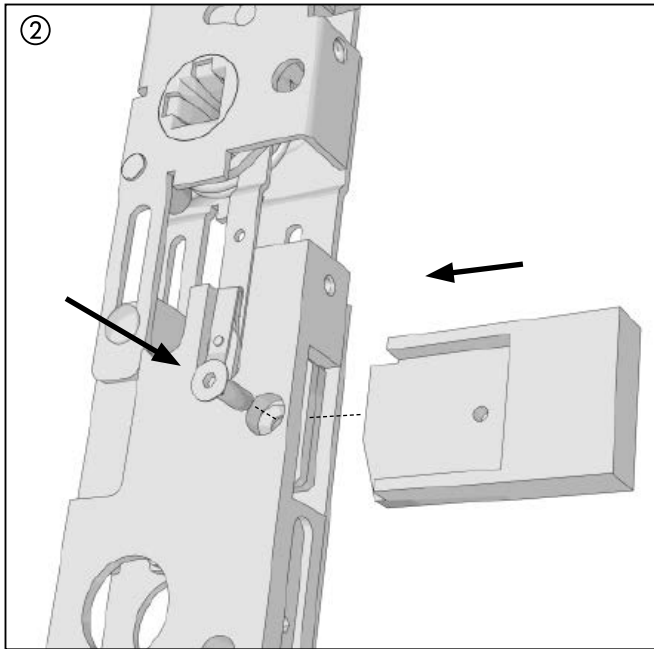


Next tighten the screws on the front face again. To facilitate the subsequent fitting of the forend (step 7), only tighten the screws slightly at this stage.



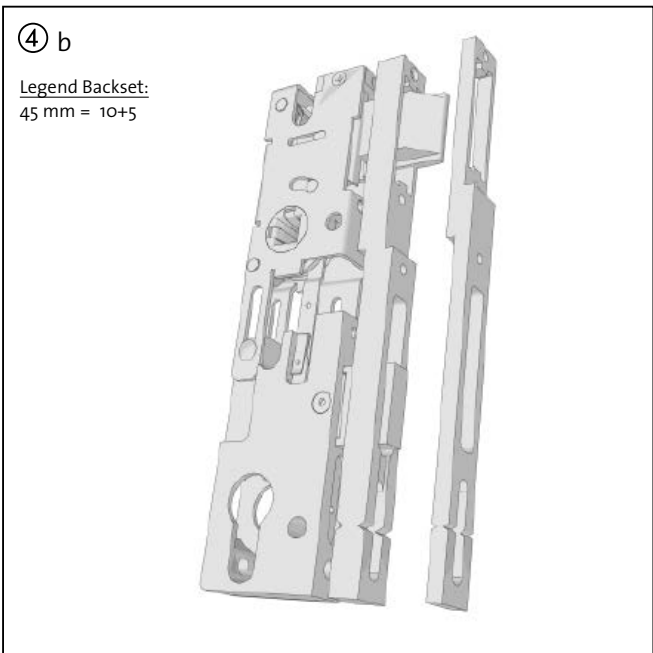
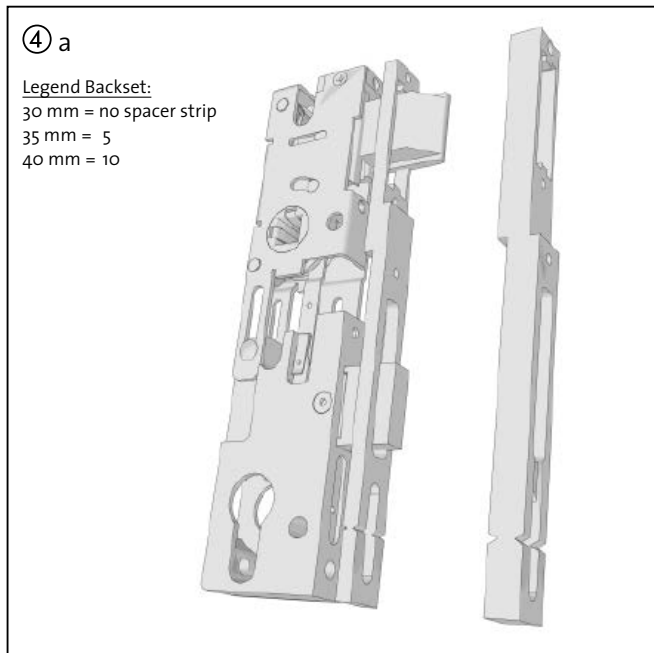
Select the matching dead bolt head for the backset. Push the dead bolt head onto the dead bolt plate and fasten it with a **M3x6** flat head screw.

Select the matching latch bolt head for the backset. Insert the latch bolt head laterally into the guide groove. Push the latch bolt head upwards and rotate it by 90° (Note the desired striking direction of the lock).



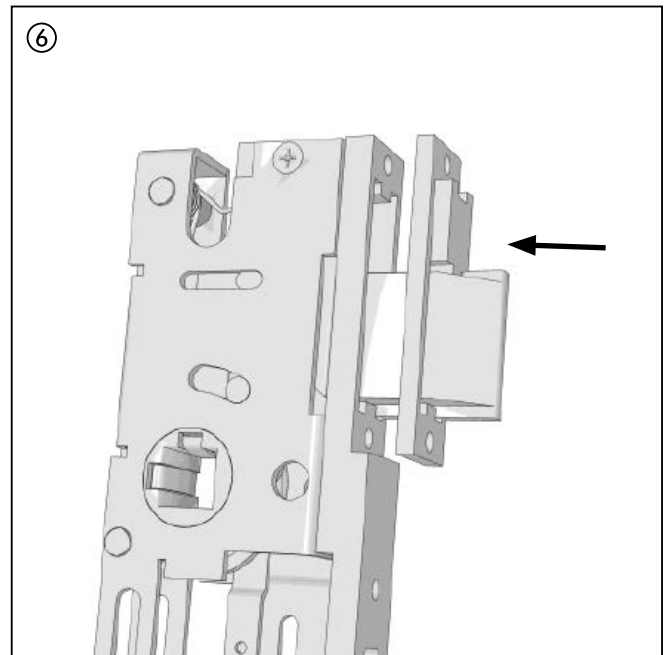
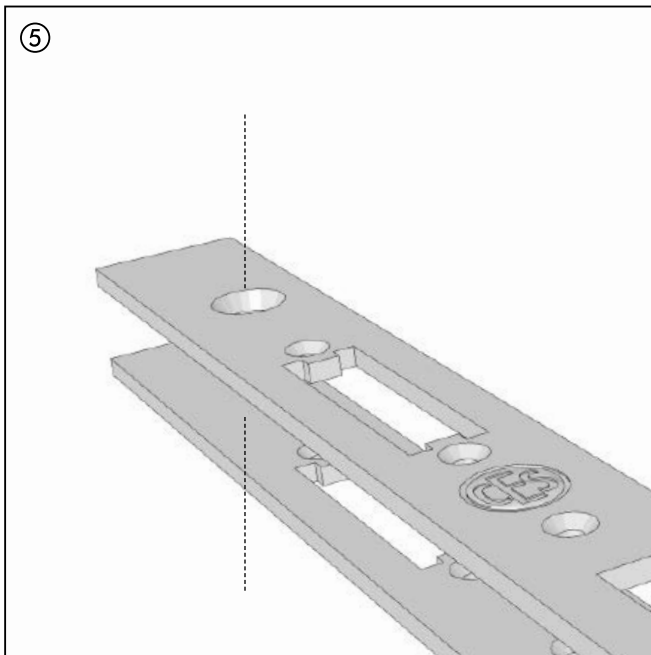
To change the backset, place the spacer strips onto the lock case. For a centre distance of 72 mm, first shorten the spacer strips at the predetermined breaking point.

If both spacer strips are required, place the 10 mm spacer strip first.



Select the desired forend. We recommend using the old forend as a template for drilling the fastening holes. Use the fixing screw hole for the alignment.

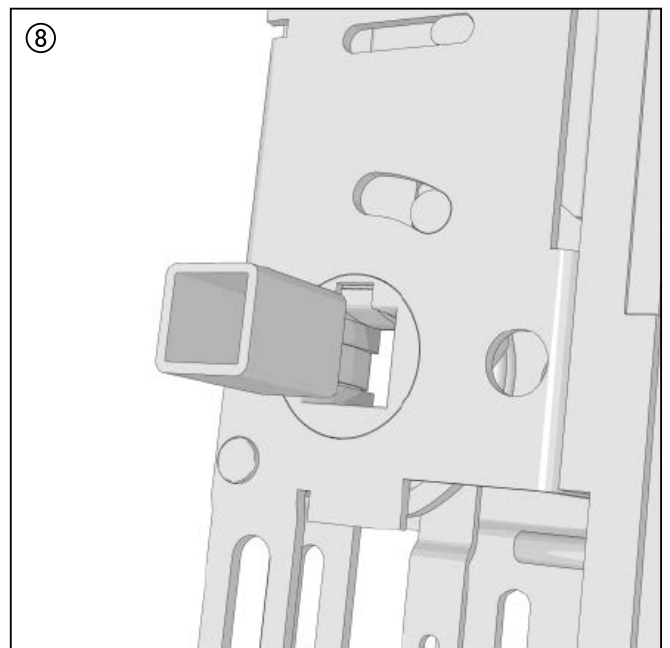
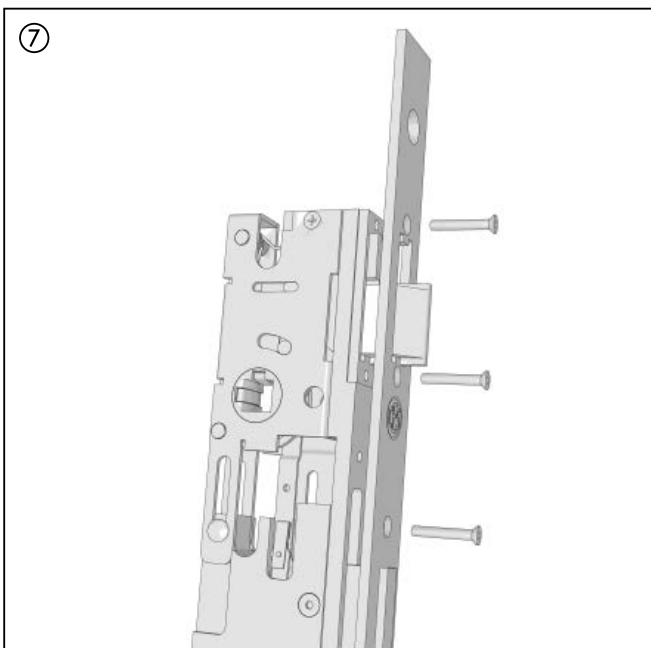
Place the latch bolt guide, paying attention to the latch bolt position. Depending on the lock, it may be necessary to turn the latch bolt guide so as to adjust a large or small frame dimension (latch bolt to dead bolt).



Place the desired forend, slightly tighten the screws and check the dead bolt function.

If required, insert the 8 mm or 9 mm reducer sleeve into the follower.

Tighten forend screws, all forend and lock body screws should be tightened with a maximum torque of 1.5 Nm. We recommend using a commercial threadlocker.



Bill of material

Drawing	Description	Qty
①	Lock case with 30 mm backset	1
②	Fitting set assorted by backset Each with: 1 x latch bolt head 1 x dead bolt head with screw 4 x forend fixing screw	
③	Fitting set, backset 30 mm	1
⑦	Fitting set, backset 35 mm	1
	Fitting set, backset 40 mm	1
	Fitting set, backset 45 mm	1
④	Spacer strip 5 mm	1
	Spacer strip 10 mm	1
⑥	Forend insert for latch bolt guide	1
⑤	Fitting forends for 92 mm centre distance	
	Flat forend 3 x 16 x 270 mm	1
	Flat forend 3 x 20 x 270 mm	1
	Flat forend 3 x 24 x 270 mm	1
	U-forend 6 x 24 x 270 mm	1
	Fitting forends for 72 mm centre distance	
	Flat forend 3 x 24 x 270 mm	1
⑧	Reducer sleeve 10 auf 9 mm	1
	Reducer sleeve 10 auf 8 mm	1

	Tool	
	Pin spanner (Torx)	1

CES vario Flex

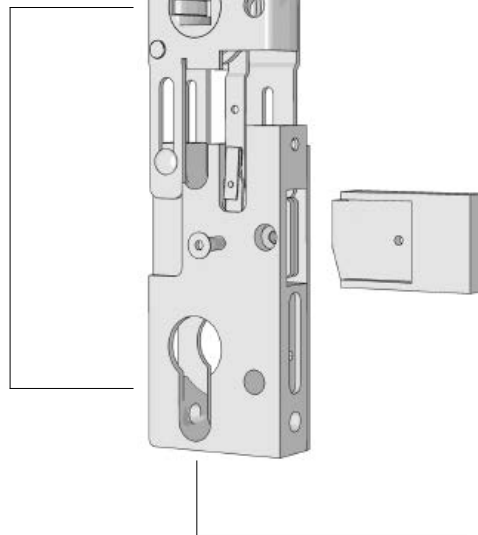
Order form – please fax to +49 2051 204273

Please check in all fields which parts you have used up.

Customer number	
Company	
Contact for queries	
Date	
Signature	
Stamp	

Reducer sleeve	Please check as applicable
8 mm	
9 mm	

Centre distance	Please check as applicable
72 mm	
92 mm	



Backset	Please check as applicable	Backset *	Please check as applicable
30 mm		30 +5 mm	
35 mm		35 +5 mm	
40 mm		40 +5 mm	
45 mm		—	—

* Protrusion of latch and dead bolt by 5 mm

Type of forend	Please check as applicable
U-forend	
Flat forend	

Forend dimension	Please check as applicable
16 x 270 mm	
20 x 270 mm	
24 x 270 mm	
Special forend 16 x 350 mm	
Special forend 20 x 350 mm	
Special forend 24 x 350 mm	



You will receive a retrofit kit comprising:

- 1 x lock body
- 1 x latch and dead bolt head
- depending on backset optionally with spacer strips
- 1 x latch bolt guide
- 1 x fitting forend and fixing screws

Price upon request

Please note that only complete retrofit kits can be supplied.



**C.Ed. Schulte GmbH
Zylinderschlossfabrik**

Friedrichstraße 243
D-42551 Velbert

☎ +49 2051 204 0
☎ +49 2051 204 229
✉ info@ces.eu

CESnederland B.V.

Lage Brink 9
NL-7317 BD Apeldoorn

☎ +31 55-52 66 89 0
☎ +31 55-52 66 89 9
✉ infonl@ces.eu

CESfrance SARL

8 Impasse Charles Petit
F-75011 Paris

☎ +33 1 44 87 07 56
☎ +33 1 43 07 35 78
✉ info@fr.ces.eu

CESitalia srl

V. d. vecchie Fondamenta, 4
Straße d. A. Gründungen 4
I-39044 Egna/Neumarkt (BZ)

☎ +39 0471 812 294
☎ +39 0471 812 294
✉ info@it.ces.eu

CESrom srl.

Str. Metalurgistilor 3 D
RO-550137 Sibiu

☎ +40 269-206 00 2
☎ +40 269-206 00 5
✉ info@ro.ces.eu

United Kingdom

CES Security Solutions Ltd

Unit 4 Kendon Business Park
Maritime Close, Medway City Estate
Rochester, Kent ME2 4JF

☎ +44 1634713369
☎ +44 1634786833
✉ info@uk.ces.eu

Middle East

A.G.P. Advanced German Products LLC

PO Box 102761
UAE Dubai

☎ +971 4 885 7050
+971 4 369 7051
☎ +971 4 390 8935
✉ info@agp-dubai.com

Austria

César A. Cárcamo

Büro: Wiener Bundesstrasse 33
A-4050 Traun

☎ +43 660-73 20 311
☎ +43 732-21 00 22 2681
✉ office@ces.at

Belgium

Locking Systems

Guy Lambrechts
Van Haeftenlaan 10
BE-2950 Kapellen

☎ +32 497 946267
✉ guy.lambrechts@lockingsystems.be

Spain

Benidorm Locks S.L.

Av. Marina Baja s/n
Partida Torrent
ES-03530 La Nucia, Alicante

☎ +34 96 689 79 79
☎ +34 96 689 79 78
✉ info@benidormlocks.com