

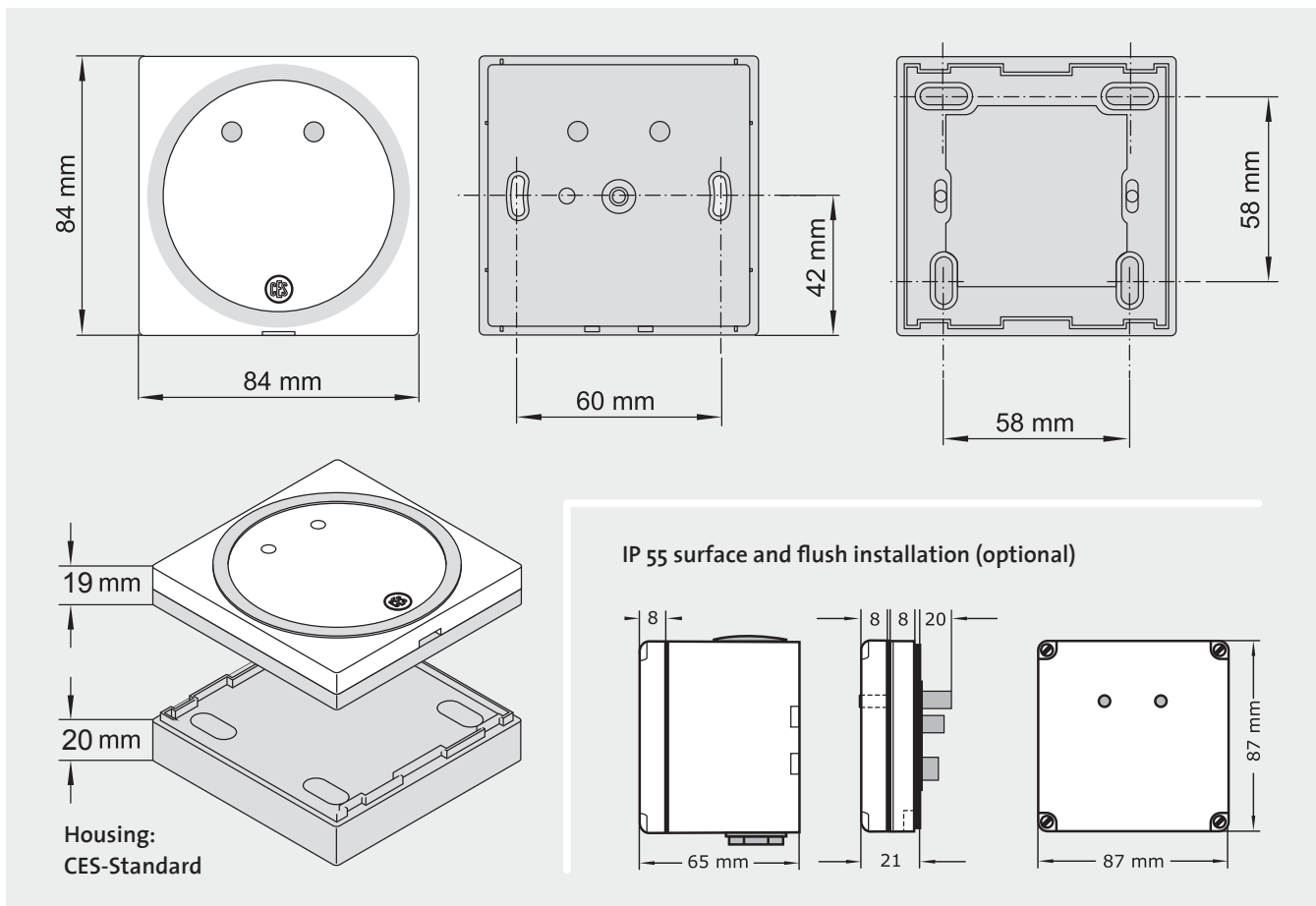
CES OMEGA FLEX
Wall terminals
WT-I, WT-II



WT-I



WT-II



CES OMEGA FLEX
Wall terminal WT-I
Wall terminal WT-II

Technical data

Part numbers	CES OMEGA FLEX WT-I CES OMEGA FLEX WT-II
Suitable transponder media	Mifare Classic Standard 1k/4K, all media according to ISO 14443, DESFire EV1, LEGIC-prime, LEGIC-advant
Reading range	Up to 50 mm
Online radio frequency	868 MHz
Encrypted data transmission	128 bit/AES
RF range to Access-Point	Up to 25 m
Cable length WT-II inside-/outside terminal	max. 20 m, with cable type J-Y(ST)-Y 2 x 2 x 0,6 (max. 200 m with Extender Set 342288V)
Power consumption	12–24 V AC/DC, WT-I: 3 W; WT-II: 5 W
Number of locking media	Max. 5000
Number of events	Max. 2000
Number of Master media	1 System-Master, max. 10 Program-Master, 1 Time Master, max. 10 RF-Stick-Master
Temperature range (WT-I, WT-II)	-25 °C to +70 °C
Humidity	Max. 95 %, not condensed
Prohibited atmospheres	Not suitable for use in corrosive atmosphere (chlorine, ammonia, lime water)
Programming	With Master media, offline via radio with RF-Stick; CEStronics RF-NET radio network; CEStronics V-NET virtual network
CE testing	EN 300 220-1; EN 300 330-1, 2; EN 301 489-1, 3; EN 60950-1

Variants

Type	Functions	Suitable housings
/N	NoTime, programming with RF-Stick via radio, programming without time zones and events	CES as standard, housing ranges from: - Merten - Gira - Jung - Busch-Jäger - Behnke Telekom - Siedle Vario Others on demand
/T	Time, programming with RF-Stick via radio, programming with time zones and events	
/NET	Online-programming via CESTronics RF-NET radio network, for use within CESTronics RF networks	
/NV	NoTime, for use in CESTronics V-NET virtual network	
/TV	Time, for use in CESTronics V-NET virtual network	
Options		
IP 55	WT-I/WT-II, surface installation	
IP 55	WT-I/WT-II, flush installation	
/VA	V-NET version as validating terminal	
/SIMO	Security mode with DESFire EV1	

Ordering information

Quantity	Part number	Variants	Housing	Description	Features

Subject to changes without notice. V.o. BR02038-002