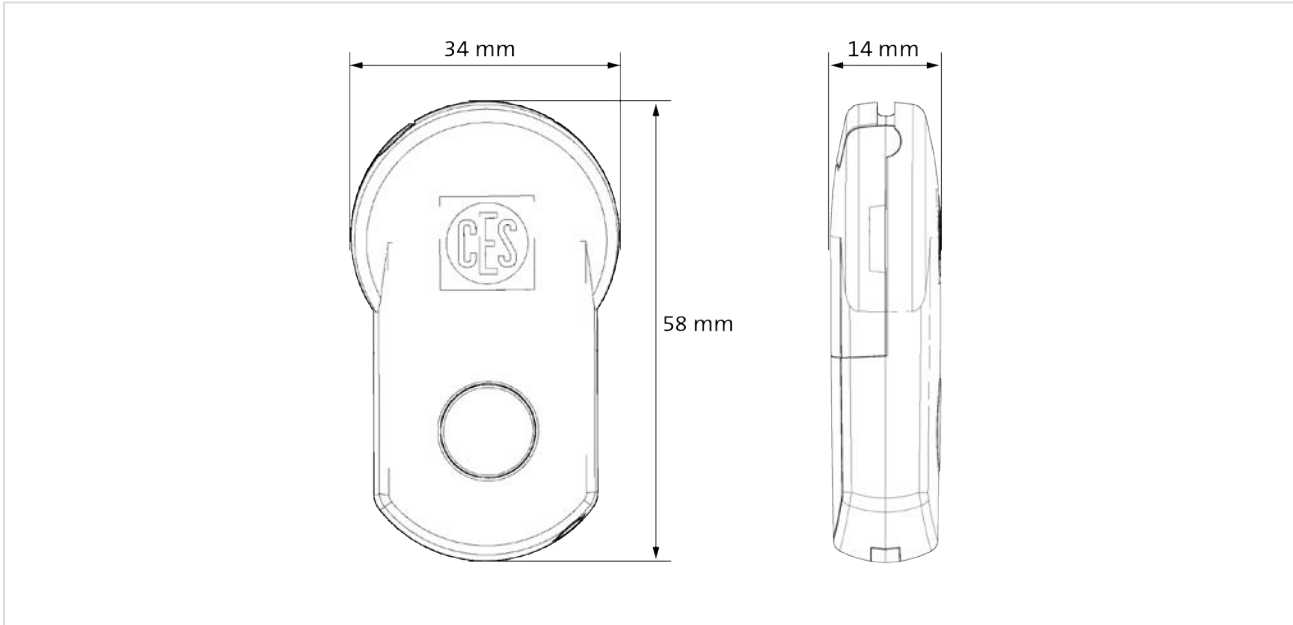


CES OMEGA FLEX

Radio Key



CES OMEGA FLEX - Radio Key

Technical Data

Article number	Radio Key
Description	Remote control for wall terminals Integrated active 868 MHz transponder and passive 13.56 MHz transponder for MIFARE Classic 1k/4k and all ISO 14443, DESFire EV1 and LEGIC prime, advant media
Dimensions	Width/length: approx. 34 × 58 mm Hight: approx. 14 mm
Radio range	When used as remote control Approx. 3 to 20 m (depending on set transmission power and environment) When used as locking medium, approx. 10 mm
Radio frequency	868 MHz/13,56 MHz
Encrypted data transmission	128 Bit/AES
Connection values	Battery: 3.0 V (type CR 2032)
Useful life of the key	10 years
Service life of the battery	When used as a remote control: approx. 10,000 opening/closing operations (at 20 °C) When used as a locking medium: no power consumption
Temperature range	0 °C to +50 °C
Humidity	0...95% rH non-condensing
Prohibited atmospheres	Not suitable for use in corrosive atmospheres (chlorine, ammonia, lime water)
CE testing	EN 300 220-1; EN 300 220-2; EN 301 489-1; EN 301 489-3; EN 60950-1; EN 62479

Ordering information

Quantity	Article number	Designation	Mechanical CES locking system