

CES OMEGA FLEX

Electronic handle sets

Security Long Shield ILS ES2 (SKG***)



H11-0



H12-0



H13-0



H14-0



H1-0



H11-C



H12-C



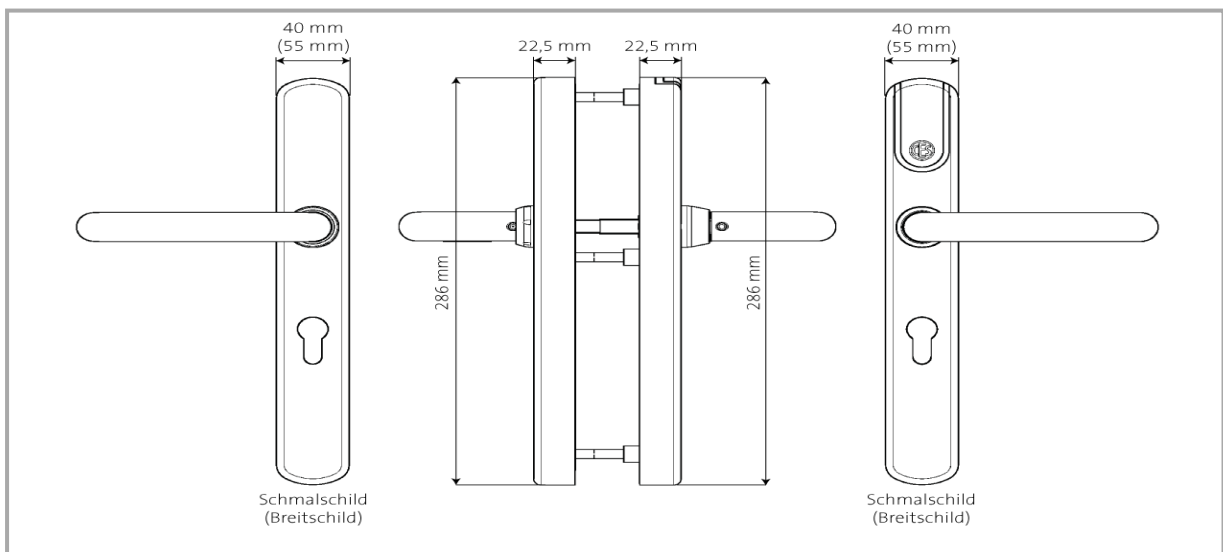
H13-C



H14-C



H15-C



CES OMEGA FLEX - Security Long Shield ILS ES2 (SKG***)

Technical Data

Article number	ILS / ES2 (SKG***)	Type	
Suitable locking media		Variants	Narrow shield for use on narrow stile doors, wide shield for use on flush doors, combinations of the two types.
LEGIC	All locking media of type LEGIC prime and LEGIC advant, all locking media ISO 14443	Special designs	Various lever handle designs, various thumb turns
MIFARE	MIFARE® Classic® (1k/4k), MIFARE® DESFire® EV1 and EV2 (UID conforming to ISO 14443 and application), all ISO 14443 locking media (not MIFARE Ultralight® C)	Outdoor shield temperature	-25 °C to +70 °C for the electronics, standard design weatherproof
Reading range	Ca. 20 mm	Indoor shield temperature	-25 °C to +70 °C
Programming		Prohibited atmospheres	Not suitable for use in corrosive atmospheres (chlorine, ammonia, lime water)
Programming	Offline with Master-Medi Offline via radio with RF-Stick Wireless online network CEStronics V-NET virtual network	Fire resistance rating	120 minutes conforming to DIN EN 1634-1 and 18273 (T120)
Number of master media	Max. 1: System-Master Max 10: 10 Program-Master, Time-Master, Release-Master, Block-Master, RF-Stick-Master Max. 100: Emergency-Key Unlimited: RF-Ini-Master, RF-Trace-Master	Door thickness	From 35 mm to 165 mm
Online radio frequency	868 MHz	Backsets	From 25 mm
Radio range to Access-Point	Max. 25 m	Distances	72, 74, 92, 94
Encrypted data transmission	128 bit/AES	Handle square hole	9 mm
Storage		Available spindles	7 mm, 8 mm, 8.5 mm, 9 mm and 10 mm
Number of locking media	Max. 5.000	Cylinder profile apertures	Euro (PZ), CH (RZ), UK (OZ)
Number of events	Max. 5.000	Safety class	DIN EN 18257 ES2-L NEN 5089:2009 SKG***
Connection values	Battery: 2 x Energizer Ultimate Lithium 1,5V AA	CE testing	EN 300 220-1-2; EN 300 330-1-2; EN 301 489-1, 3; EN 60950-1, EN 62311
Service life of the ILS	Conforming to DIN EN 1906, Grade 7, 200.000 cycles		
Ordering information			
Required cylinder length	22,5 mm + door thickness + 22,5 mm		

Battery consumption

Usage profile of the ILS handle set	Battery life*
Standby without access operations	up to 5 years
Standby and up to 10 access operations per day	up to 4 years
Max. number of opening/closing operations per battery pack	up to 70,000

*The information applies to an ambient temperature of 20 °C. Deviating temperatures, usage frequency and parameter settings of the locking devices can result in strongly divergent values.

Ordering example

Article number	Multi ID system LEGIC and MIFARE	V Variant /N, /T, /TV, /NET	Type N, W, O, I	HD Lever handle direction L, R	HT Lever handle type H11-0	SC Security class 1,2	HI Optional handle inside 00	CH Cylinder hole PB, PO, PI	D Centre distance 72...94	SP Spindle 7...10	DT Door thickness 35 ... 115	CR Optional colour, reader I, B, W	CS Optional colour, shield 0
ILS	/T	N	L	H11-0	2	00	PB	92	8	55	I	0	