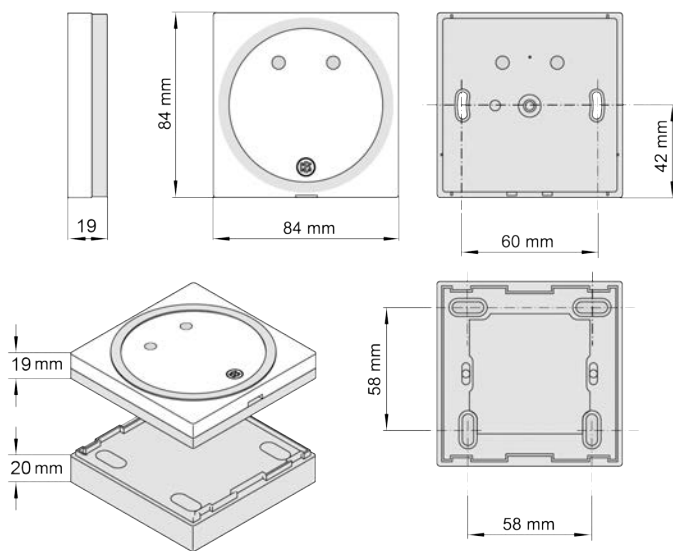


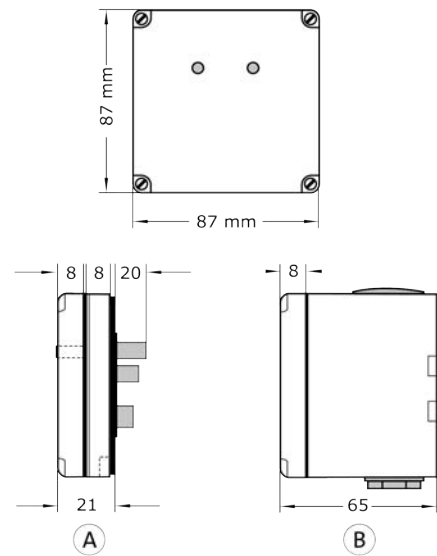
# CES OMEGA FLEX

Wall terminal

WT-I, WT-II and WT-B



Dimensions CES standard housing



Dimensions weatherproof housing (IP55)

A = Flush

B = Surface

## CES OMEGA FLEX - WT-I, WT-II and WT-B

### Technical Data

<b>Article name</b>	CES OMEGA FLEX WT-I CES OMEGA FLEX WT-II CES OMEGA FLEX WT-B (update terminal, only as a WT-I, no relay function)
<b>Suitable locking media</b>	
<b>LEGIC</b>	All locking media of type LEGIC prime and LEGIC advant, all locking media ISO 14443, HID iClass Additionally, all those specified under “MIFARE”
<b>MIFARE</b>	MIFARE® Classic® (1k/4k), MIFARE® DESFire® EV1 and EV2 (UID conforming to ISO 14443 and application), all ISO 14443 locking media (not MIFARE Ultralight® C)
<b>Reading range</b>	Approx. 50 mm
<b>Online radio frequency</b>	868 MHz
<b>Radio range to Access-Point</b>	WT-I and WT-II: max. 25 m WT-B: max. 5 m
<b>Encrypted data transmission</b>	128 bit/AES
<b>Number of locking media</b>	Max. 5.000
<b>Number of events</b>	Max. 2.000
<b>Number of master media</b>	Max. 1 System-Master, max. 10 Program-Master, max. 10 Time-Master, max. 10 Release-Master, max. 10 Block-Master, max. 10 RF-Stick-Masters, max. 100 Emergency-Keys, RF-Ini-Master unlimited, RF-Trace-Master unlimited
<b>Opening duration</b>	2 - 180 seconds, adjustable (optional) (standard: 10 seconds)
<b>Temperature range</b>	-25 °C to +70 °C at 0...95% rH non-condensing
<b>Prohibited atmospheres</b>	Not suitable for use in corrosive atmosphere (chlorine, ammonia, lime water)
<b>Programming</b>	With master media, offline with an RF-Stick, CEStronics Wireless online network; CEStronics V-NET virtual network
<b>Connections (screw terminals)</b>	1 x potential-free contact 1 x connection from controller to reader (RS 232 interface) (WT-II only) 1 x power supply 1x closing relay 1x changeover relay
<b>Relay switching capacity</b>	1.8 A; 30 VDC
<b>Relay modes</b>	Relay modes which can be set in the CEStronics Suite: Impulse The relay switches during the opening duration (with or without delay) Toggle The relay state will change after having read an authorised locking medium Dead-man The relay will switch as long as an authorised locking medium is held in front of it (with or without delay) Off The relay is not controlled (e.g. for validation terminals)
<b>For WT-II: cable length for the connection between reader and controller</b>	Max. 20 m, cable type J-Y(St)-Y 2 x 2 x 0.6 mm (or bigger than 0.6 mm) Max. 200 m with extension set 342288V
<b>Operating voltage</b>	12-24 V AC/DC
<b>Power consumption</b>	WT-I: 3 W WT-II: 5 W
<b>Suitable housings</b>	CES Standard, weatherproof housing (IP55), Mertens, Gira, Busch-Jäger, Behnke Telekom, Siedle Vario More housings available upon request.
<b>CE testing</b>	EN 300 220-1, 2; EN 300 330-1, 2; EN 301 489-1, 3; EN 60950-1, EN 62311

### Ordering information

Quantity	Article number	Variant	Housing	Designation