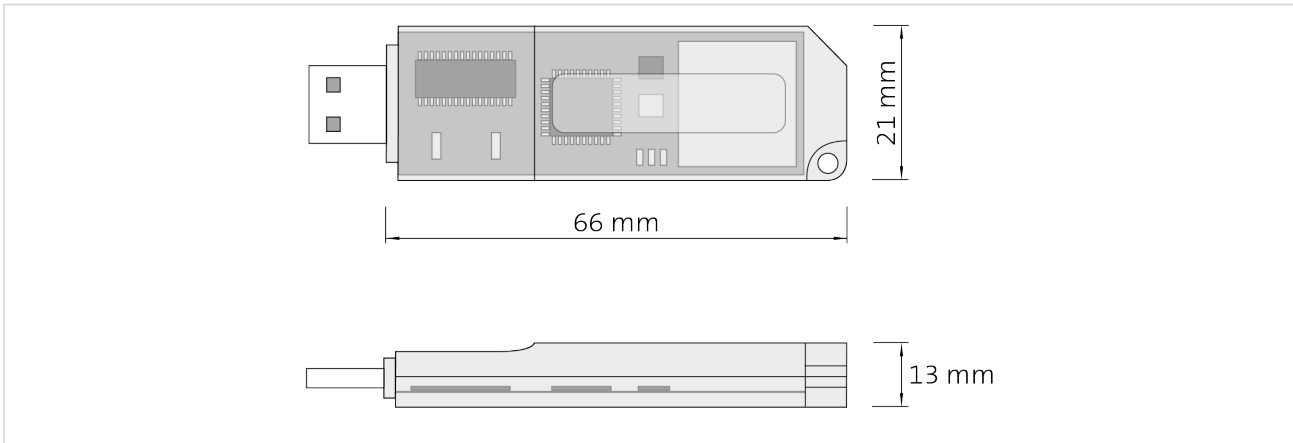
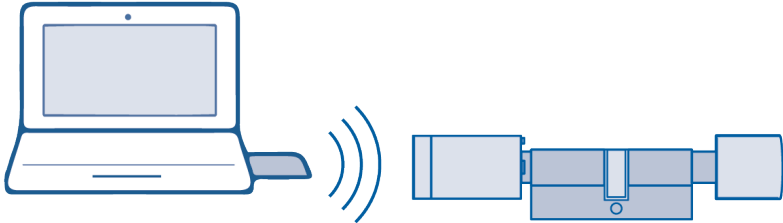


# CES OMEGA FLEX

RF-Stick



## CES OMEGA FLEX - RF-Stick

### Technical Data

|                     |   |
|---------------------|---|
| Article number      | 342208V   |
| Power supply        | Via USB port  |
| Connection          | USB   |
| Radio frequency     | 868 MHz   |
| Range               | Max. 10 m   |
| Temperature range   | 0 °C to + 60 °C   |
| Ambient conditions  | Not suitable for use in corrosive atmospheres (chlorine, ammonia, lime water), humidity 0 - 95%, non-condensing |
| Useful life         | RF-Stick: at least 10 years<br>USB connector: max. 1,500 plug-in operations                                     |
| Signalizing LEDs    | Green = data processing<br>Red = error<br>Blue = ready  |
| Safety requirements | Encrypted data transmission, 128 Bit/AES  |

### Variants

|                         |  |   |
|-------------------------|--|---|
| <b>Art. No. 342208V</b> | <b>RF-Stick</b><br>(to extend existing systems)          | - RF-Stick<br>- User information  |
| <b>Art. No. 342189V</b> | <b>RF-Stick set</b><br>(for new systems)                 | - RF-Stick<br>- RF-Stick-Master<br>- System-Master<br>- CEStronics Suite<br>- Locking system file and licences  |
| <b>Art. No. 342185V</b> | <b>RF-Stick programming package</b><br>(for new systems) | - Netbook with pre-installed CEStronics Suite<br>- RF-Stick<br>- RF-Stick-Master<br>- System-Master<br>- CEStronics Suite<br>- Locking system file and licences |

### Ordering information

| Quantity | Article number | Name | Special feature |
|----------|----------------|------|-----------------|
|          |                |      |                 |