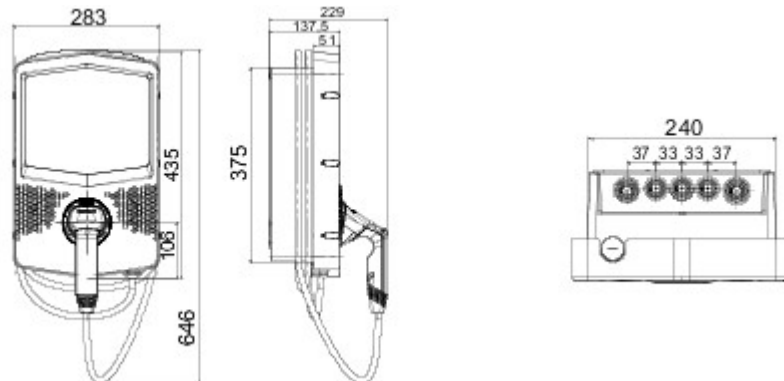




The I-CON wall boxes are the JOINON solution designed and studied for integration into private and semi-public contexts in accordance with the international standard IEC 61851-1 ed. 3. They feature an elegant and compact design, a special "one-hand recharge" function, a vandal-proof socket as an alternative to the cable and holder connector integrated in the station, an IP55 protection rating together with an IK10 impact rating, smart load management, back-lighting, and various installation options: wall-mounting, flush-mounting or floor-mounting.

INPUT		- Socket/Connector Nr. (Type)		1 (Type 2 connector with 5 mt. cable)
Terminal blocks	5 x 10 mm ²	Charging activation	Locally managed, via RFID	
Current nominal	32 A	Human Interface	Led RGB	
Total power	22 Kilowatt	Connectivity	Nu	
OUTPUT		- MECHANICAL FACTS		
Tensiune nominală	400 V	Mounting and installation	Wall mounting (floor mounting with support)	
Current supplied (max)	32 A	Culoare	Gri închis	
Maximum current	22 Kilowatt	Material	Thermoplastic (Post-industrial origin)	
Thermal-magnetic protection	Currently not present	External treatments	Nu	
Tip de protecție diferențială	Currently not present	Clasă de protecție IP	IP55	
Contor energie	Currently not present	Cod IK	IK10	
DC Leakage check	Da	Temperatură de operare	-25 +50 °C	
(Auto)restart electrical protections	Currently not present	Customizations	Yes (front)	

DIMENSIONAL



TECHNICAL SYMBOLOGY

IP

IP55

IK

IK10

STANDARDS/APPROVALS



GEWISS S.p.A. Via A. Volta, 1
24069 Cenate Sotto - Bergamo - Italy
tel. +39 035 94 61 11 fax +39 035 94 69 09

www.gewiss.com
sat@gewiss.com
Last update 03/02/2023

Data, measures, designs and pictures are shown only as informative purposes, and could be changed without previous notice