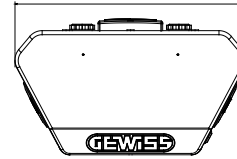
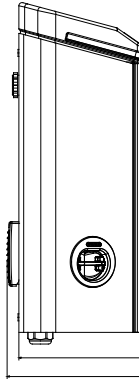
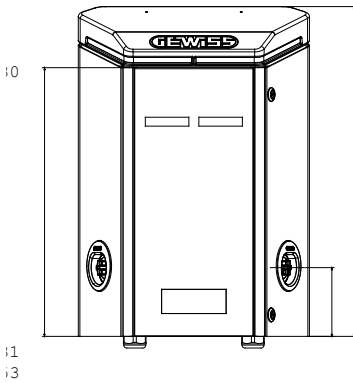




The wall-mounted I-ON charging stations are the JOINON solutions for public and semi-public access, designed for charging electric vehicles and to withstand any wear including impacts, stress, vandalism and atmospheric agents. They are the first and only on the market guaranteed with a IP55 protection rating. The special design allows the units to be adapted into any urban context and parking configuration, with a targeted focus on the user experience of drivers. They are available with standard JoinOn graphics, which may be customised on request.

| | | | |
|--------------------------------------|-------------------------------|-------------------------------|----------------------------------|
| INPUT | | - Socket/Connector Nr. (Type) | 2 (Type 2 socket, with shutters) |
| Terminal blocks | 2 x (3 x 10 mm ²) | Charging activation | Free access |
| Rated current | 64 A | Human Interface | LED RGB and TFT Display |
| Total power | 15 Kilowatt | Connectivity | No |
| OUTPUT | | MECHANICAL FACTS | - |
| Rated voltage | 230 V | Mounting and installation | Wall mount |
| Current supplied (max) | 32 A per socket | Colour | Grey, Headboard RAL 7011 |
| Power max. | 7,4 kW per socket | Material | Steel sheet |
| Thermal-magnetic protection | Currently not present | External treatments | Anti-corrosion and anti-graffiti |
| Type of residual current protection | Currently not present | IP degree | IP55 |
| Power meter | Currently not present | Mechanical resistance | IK10 |
| DC Leakage check | Currently not present | Operating temperature | -25 +50 °C |
| (Auto)restart electrical protections | No | Customizations | Yes (front) |

DIMENSIONAL



TECHNICAL SYMBOLOGY

IP **IK**

IP55

IK10

STANDARDS/APPROVALS

