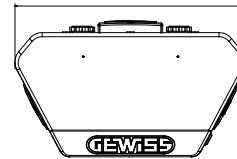
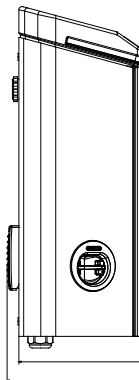
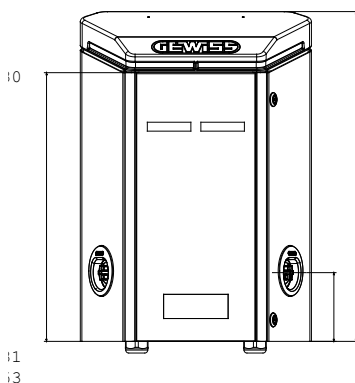




The wall-mounted I-ON charging stations are the JOINON solutions for public and semi-public access, designed for charging electric vehicles and to withstand any wear including impacts, stress, vandalism and atmospheric agents. They are the first and only on the market guaranteed with a IP55 protection rating. The special design allows the units to be adapted into any urban context and parking configuration, with a targeted focus on the user experience of drivers. They are available with standard JoinOn graphics, which may be customised on request.

INPUT		- Socket/Connector Nr. (Type)	2 (Type 2 vandal-proof socket, with shutters)
Terminal blocks	2 x (5 x 10 mm ²)	Charging activation	Remotely managed, via OCPP 1.6J
Rated current	32 A	Human Interface	LED RGB and TFT Display
Total power	22 Kilowatt	Connectivity	LAN,WIFI,4G
OUTPUT		- MECHANICAL FACTS	-
Rated voltage	400 V	Mounting and installation	Wall mount
Current supplied (max)	16 A per socket	Colour	Grey, Headboard RAL 7011
Power max.	11 kW per socket	Material	Steel sheet
Thermal-magnetic protection	Currently not present	External treatments	Anti-corrosion and anti-graffiti
Type of residual current protection	Currently not present	IP degree	IP55
Power meter	YES (MID)	Mechanical resistance	IK10
DC Leakage check	Currently not present	Operating temperature	-25 +50 °C
(Auto)restart electrical protections	Currently not present	Customizations	Yes (front)

DIMENSIONAL



TECHNICAL SYMBOLOGY

IP

IK

IP55

IK10

STANDARDS/APPROVALS

