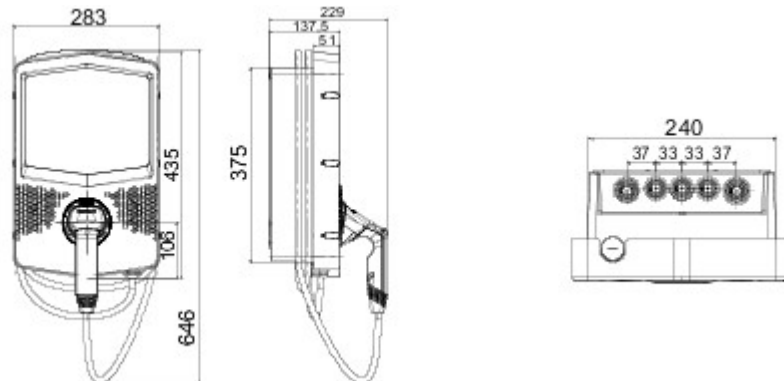




The I-CON wall boxes are the JOINON solution designed and studied for integration into private and semi-public contexts in accordance with the international standard IEC 61851-1 ed. 3. They feature an elegant and compact design, a special "one-hand recharge" function, a vandal-proof socket as an alternative to the cable and holder connector integrated in the station, an IP55 protection rating together with an IK10 impact rating, smart load management, back-lighting, and various installation options: wall-mounting, flush-mounting or floor-mounting.

| INPUT | | - Socket/Connector Nr. (Type) | | 1 (Type 2 connector with 5 mt. cable) |
|--------------------------------------|------------------------|-------------------------------|------------------------|---|
| Terminal blocks | 3 x 10 mm ² | Charging activation | | Remotely managed, via OCPP 1.6J |
| Current nominal | 32 A | Human Interface | | Led RGB |
| Total power | 7.4 Kilowatt | Connectivity | | LAN |
| OUTPUT | | - MECHANICAL FACTS | | - |
| Tensiune nominală | 230 V | Mounting and installation | | Wall mounting (floor mounting with support) |
| Current supplied (max) | 32 A | Culoare | | Gri închis |
| Maximum current | 7.4 Kilowatt | Material | | Thermoplastic (Post-industrial origin) |
| Thermal-magnetic protection | Currently not present | External treatments | | Nu |
| Tip de protecție diferențială | Currently not present | Clasă de protecție IP | | IP55 |
| Contor energie | YES (MID) | Cod IK | | IK10 |
| DC Leakage check | | Da | Temperatură de operare | -25 +50 °C |
| (Auto)restart electrical protections | Currently not present | Customizations | | Yes (front) |

DIMENSIONAL



TECHNICAL SYMBOLOGY

IP

IP55

IK

IK10

STANDARDS/APPROVALS



GEWISS S.p.A. Via A. Volta, 1
24069 Cenate Sotto - Bergamo - Italy
tel. +39 035 94 61 11 fax +39 035 94 69 09

www.gewiss.com
sat@gewiss.com
Last update 03/02/2023

Data, measures, designs and pictures are shown only as informative purposes, and could be changed without previous notice