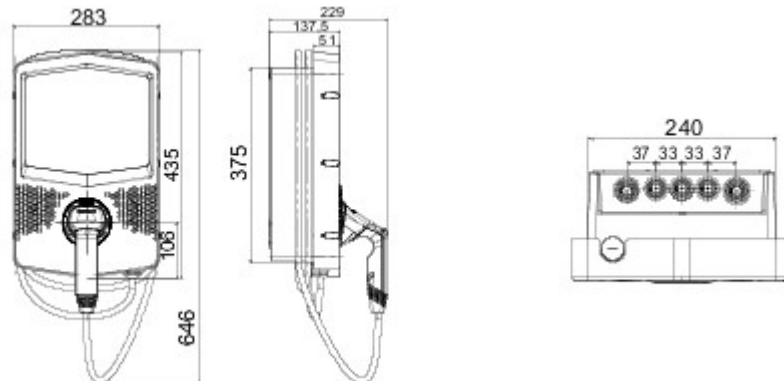




The I-CON wall boxes are the JOINON solution designed and studied for integration into private and semi-public contexts in accordance with the international standard IEC 61851-1 ed. 3. They feature an elegant and compact design, a special "one-hand recharge" function, a vandal-proof socket as an alternative to the cable and holder connector integrated in the station, an IP55 protection rating together with an IK10 impact rating, smart load management, back-lighting, and various installation options: wall-mounting, flush-mounting or floor-mounting.

INPUT		- Socket/Connector Nr. (Type)		1 (Type 2 connector with 5 mt. cable)
Terminal blocks	3 x 10 mm ²	Charging activation		Free access
Current nominal	32 A	Human Interface		LED RGB + slide touch display
Total power	7.4 Kilowatt	Connectivity		Nu
OUTPUT		- MECHANICAL FACTS		
Tensiune nominală	230 V	Mounting and installation		Wall mounting (floor mounting with support)
Current supplied (max)	32 A	Culoare		Gri închis
Maximum current	7.4 Kilowatt	Material		Thermoplastic (Post-industrial origin)
Thermal-magnetic protection	Currently not present	External treatments		Nu
Tip de protecție diferențială	Currently not present	Clasă de protecție IP		IP55
Contor energie	Currently not present	Cod IK		IK10
DC Leakage check		Da	Temperatură de operare	-25 +50 °C
(Auto)restart electrical protections	Currently not present	Customizations		Nu

DIMENSIONAL



TECHNICAL SYMBOLOGY

IP

IP55

IK

IK10

STANDARDS/APPROVALS



GEWISS S.p.A. Via A. Volta, 1
24069 Cenate Sotto - Bergamo - Italy
tel. +39 035 94 61 11 fax +39 035 94 69 09

www.gewiss.com
sat@gewiss.com
Last update 02/02/2023

Data, measures, designs and pictures are shown only as informative purposes, and could be changed without previous notice