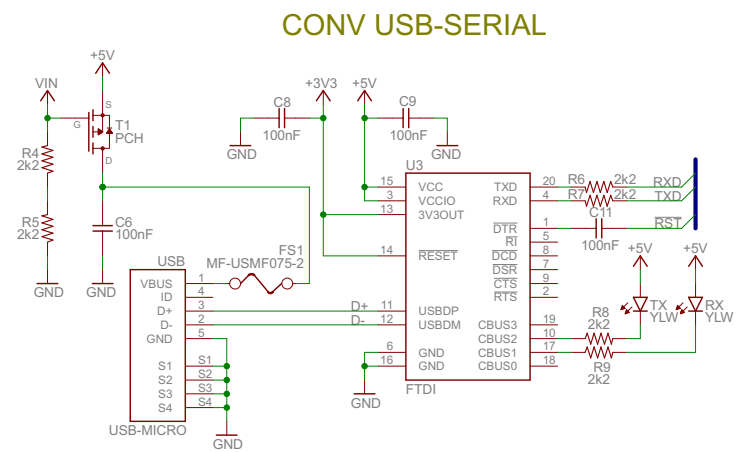
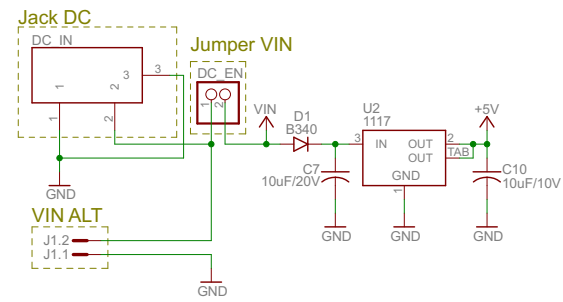
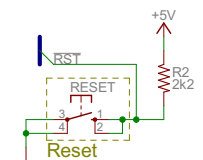
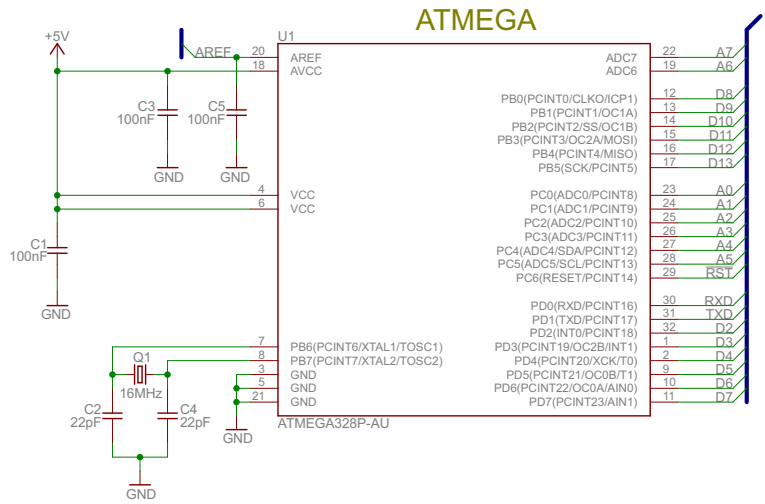


Links:
 Circuitar BaseBoarduino: <https://www.circuitar.com.br/nanoshields/modulos/base-boarduino/>
 ATmega328: <http://www.atmel.com/devices/atmega328p.aspx>



Arduino - Nanoshields

