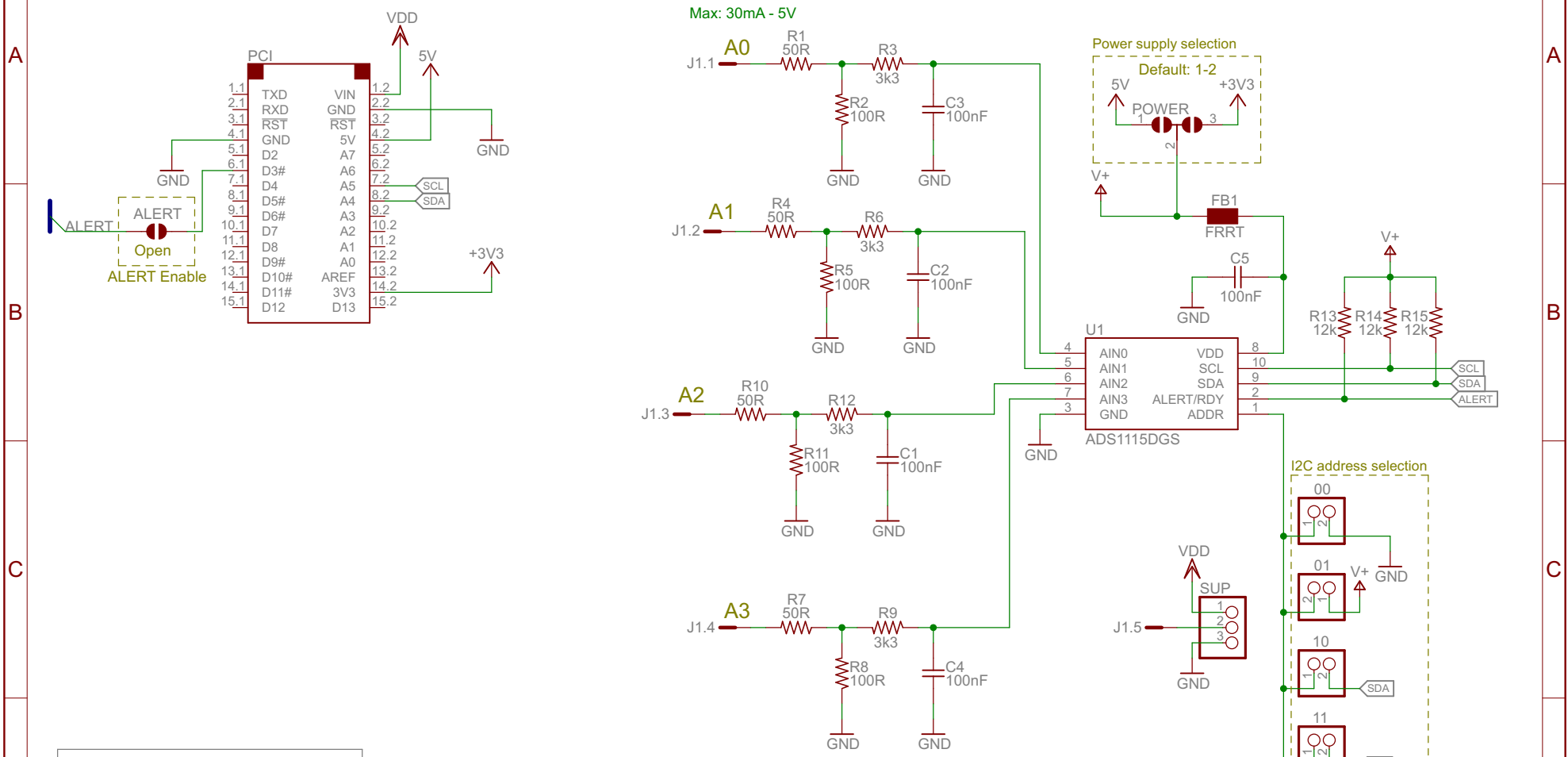


Useful links:
 Product page: <https://www.circuitar.com/nanoshields/modules/adc4-20/>
 ADS1115: www.ti.com/product/ads1115



Solder jumper:

SUP - Power supply voltage selection
 1-2: VCC (DEFAULT)
 2-3: 3V3

ALERT - Enables ALERT/RDY on pin D3
 Open: Disabled (DEFAULT)
 Closed: Enabled



circuitar.com	
ADC 4-20 v1.2	
09/06/2015 12:09:19	
Sheet: 1/1	