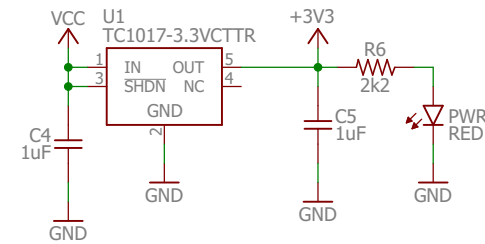
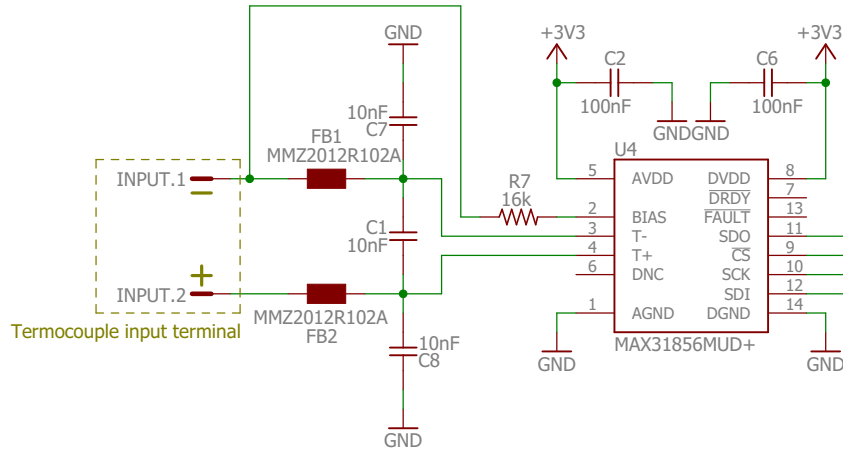


Useful links:
 Product page: <https://www.circuitar.com/nanoshields/modules/termopar/>
 MAX31856: <https://www.maximintegrated.com/en/products/analog/sensors-and-sensor-interface/MAX31856.html>

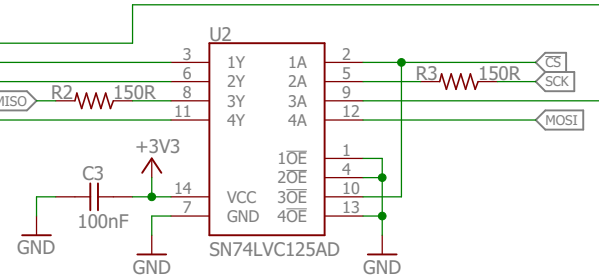
Voltage regulator



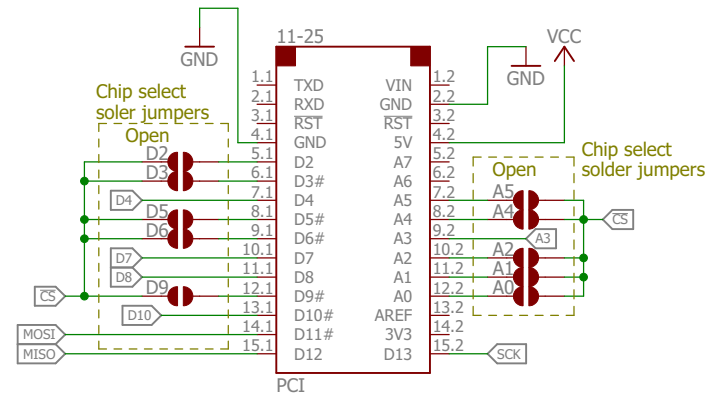
Thermocouple converter



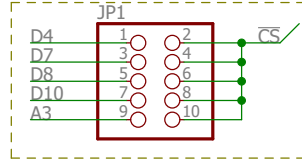
Logic level conversion buffer



Nanoshield connectors



Chip select manual jumpers



Manual jumpers

Solder jumpers:

D2, D3, D5, D6, D9, A0, A1, A2, A4, A5: used along with the manual jumpers on top of the board to choose the SPI chip select pin to use (/CS). Close the jumper matching the name of the pin you want to use. All open (DEFAULT)



circuitar.com

Termopar_20

13/02/2016 20:49

Sheet: 1/1