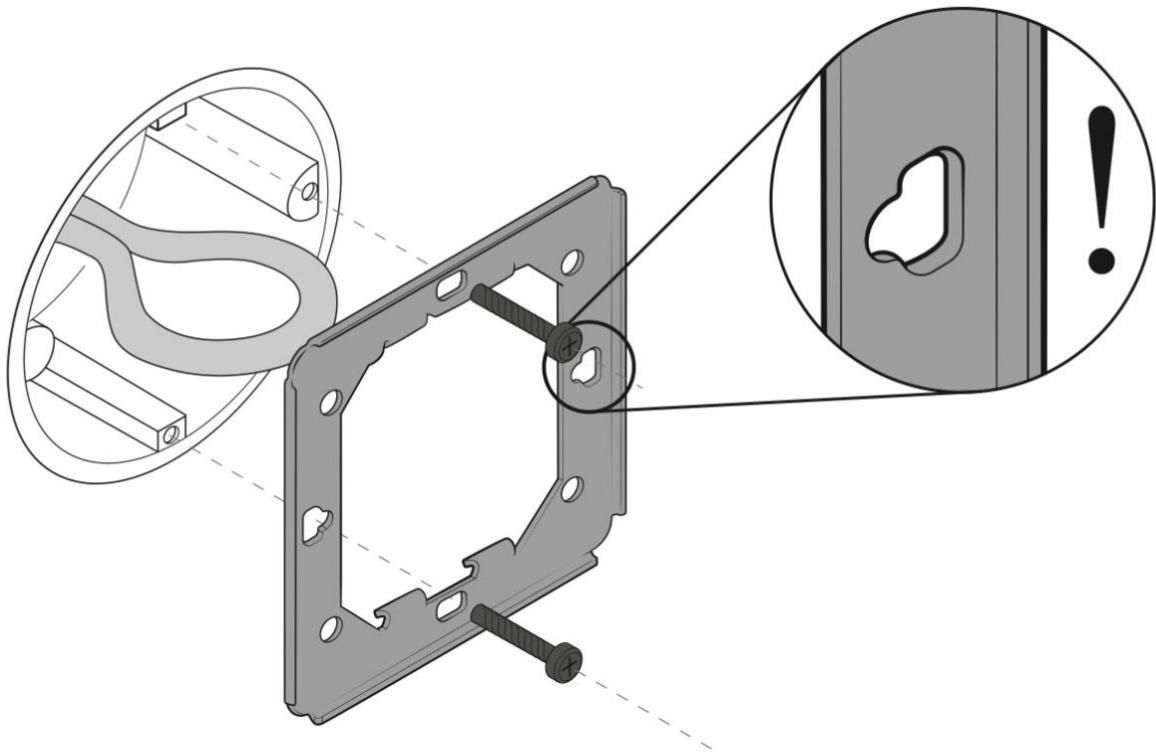


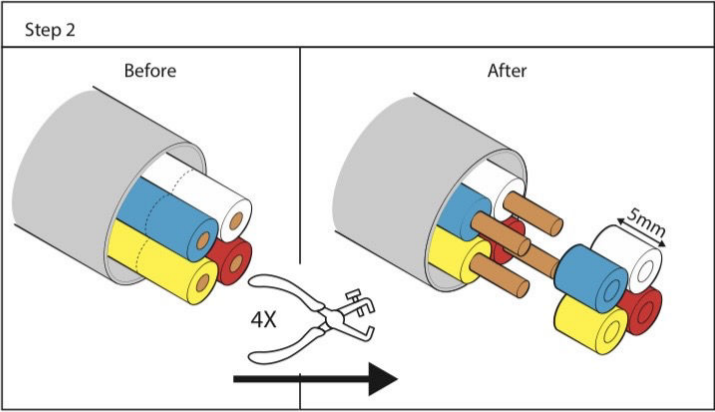
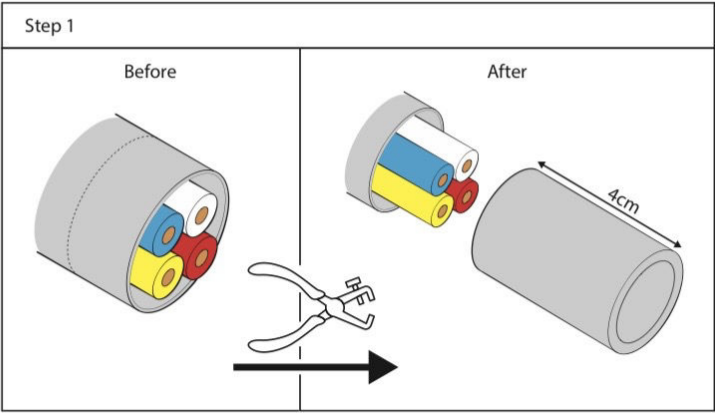
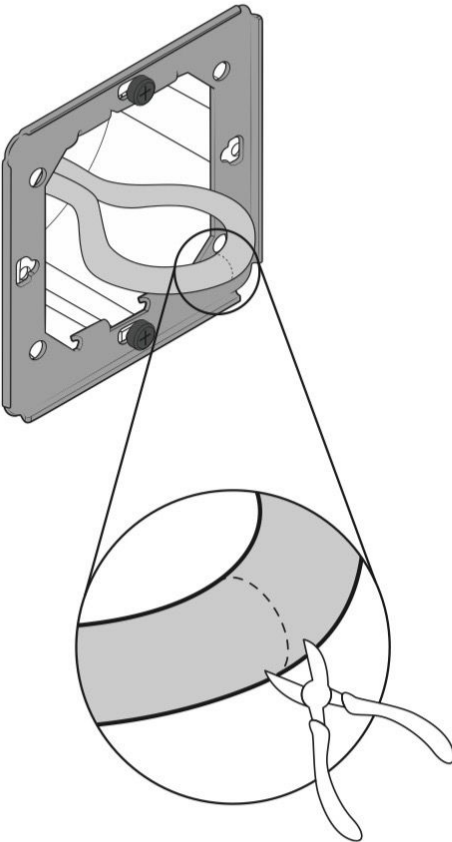


LUCIA
MANUAL
24v

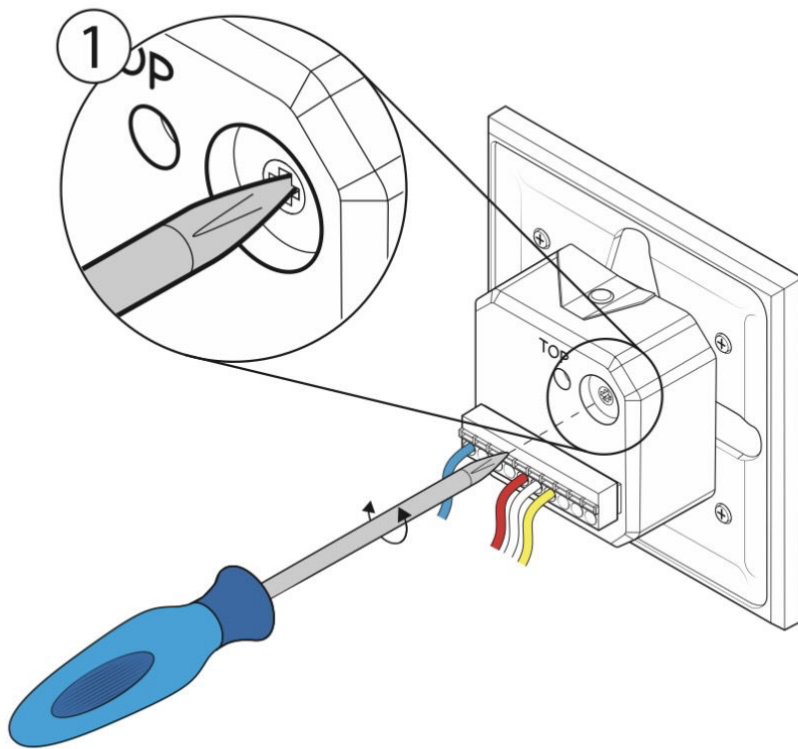
Step 1: attach the metal bracket to the wall socket



Step 2: strip the SVV cable

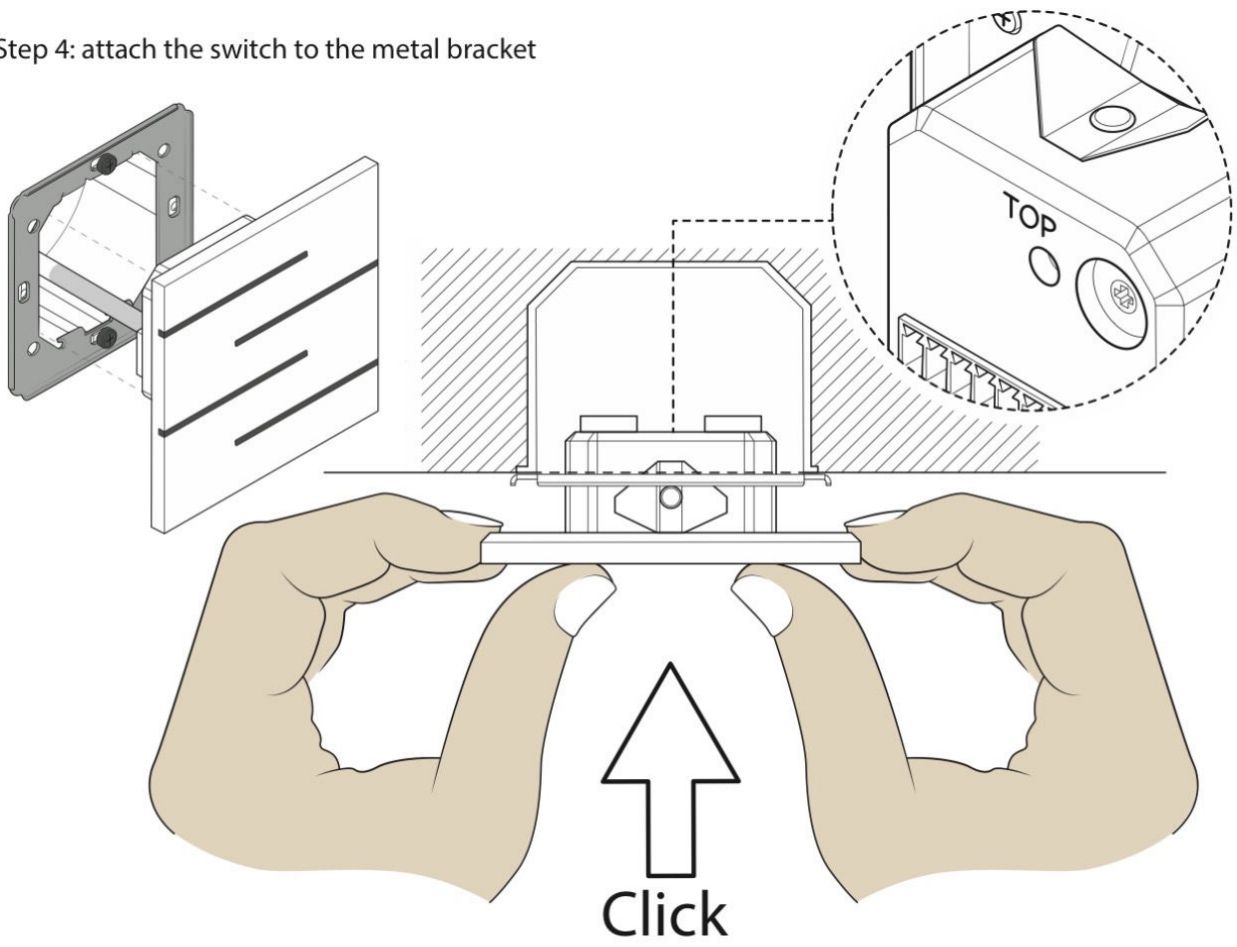


Step 3: program the switch

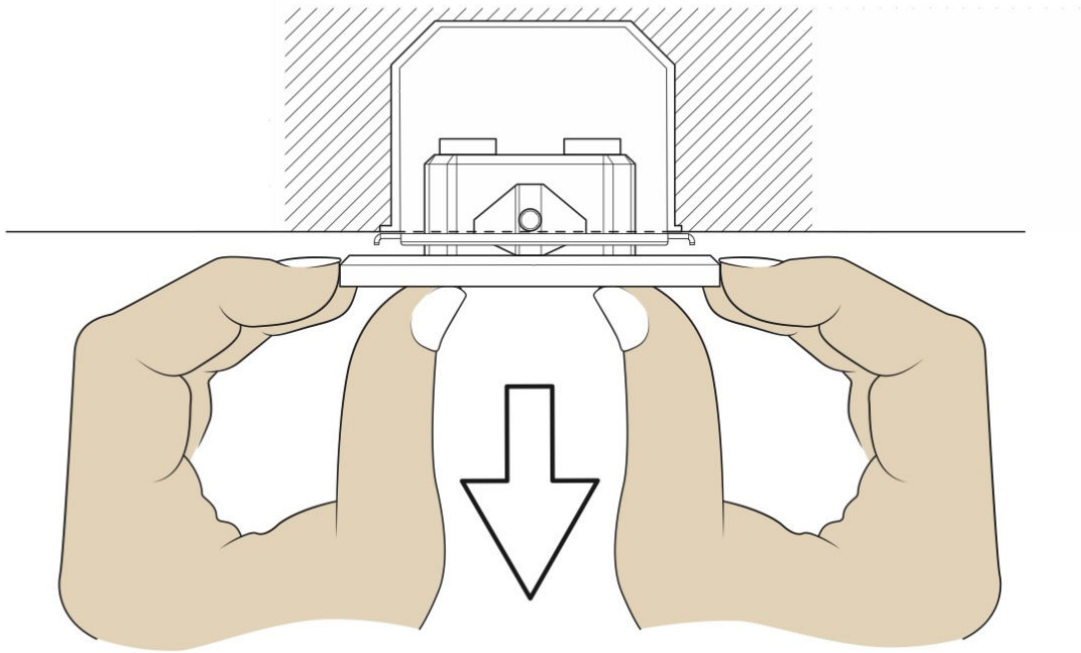


Rotary switch	RGB-leds	Color
0	RGB leds off	
1		Red
2		Green
3	Shows the state of the corresponding input: Input on = RGB LED lights up brightly. Input off = RGB led off	Blue
4		Amber
5		Purple
6		Cyan
7		White
8	Shows the state of the corresponding input: Input on = RGB LED lights up brightly. Input off = RGB LED lights up dimmed	Red
9		Green
A		Blue
B		Amber
C		Purple

Step 4: attach the switch to the metal bracket

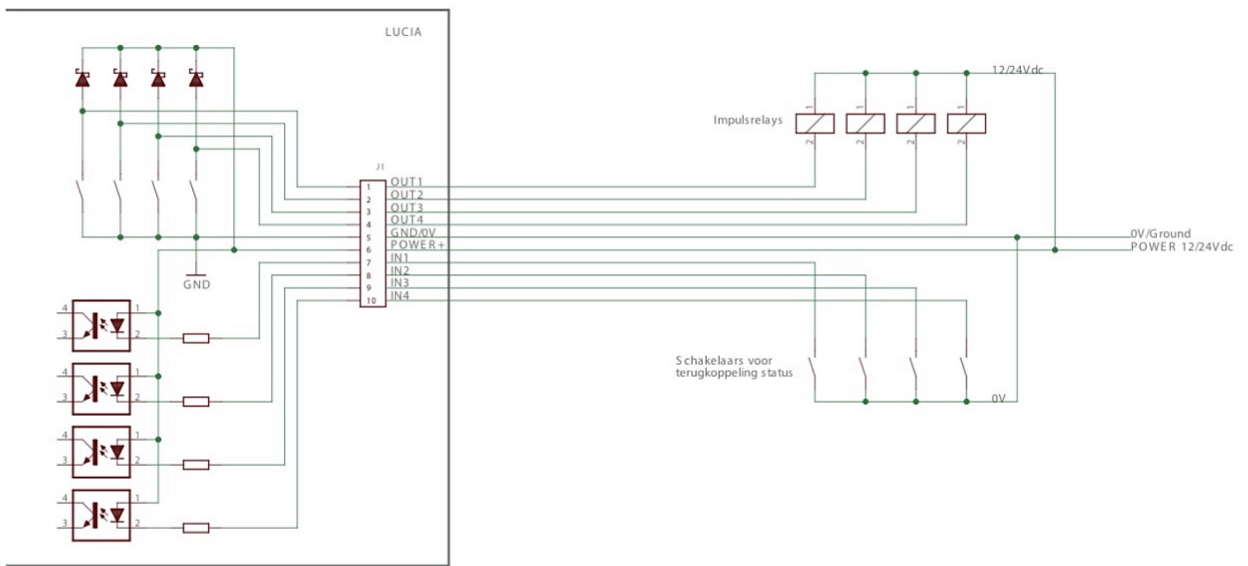


remove the switch from the metal bracket



Attachment 1: LCION wiring diagram

NEGATIVE



Attachment 2: LCION wiring diagram

POSITIVE

