



# CJC0035

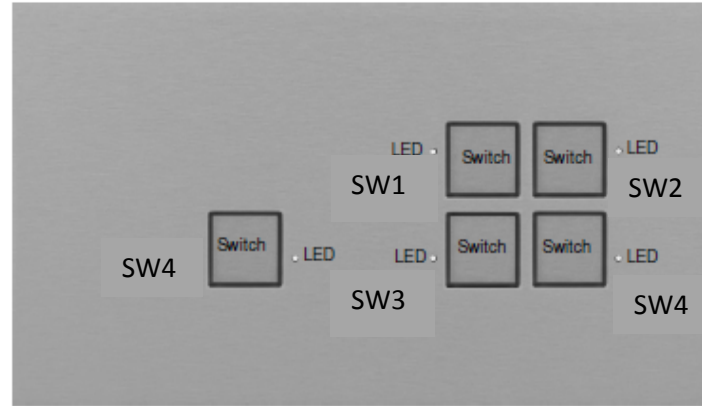
4 + 1 PUSH BUTTONS SQUARE / WHITE LEDS  
 HC LED (12mA -POLARIZATION)  
 24V AC/DC

Panel 1

- 1 COMMON LED (-)
- 2
- 3 COMMON SWITCH
- 4 SWITCH 1
- 5 SWITCH 2
- 6 SWITCH 3
- 7 SWITCH 4
- 8 LED 1
- 9 LED 2
- 10 LED 3
- 11 LED 4

Panel 2

- 1 COMMON LED (-)
- 2
- 3 COMMON SWITCH
- 4
- 5
- 6
- 7 SWITCH 4
- 8
- 9
- 10
- 11 LED 4



4 BUTTON

1 BUTTON

