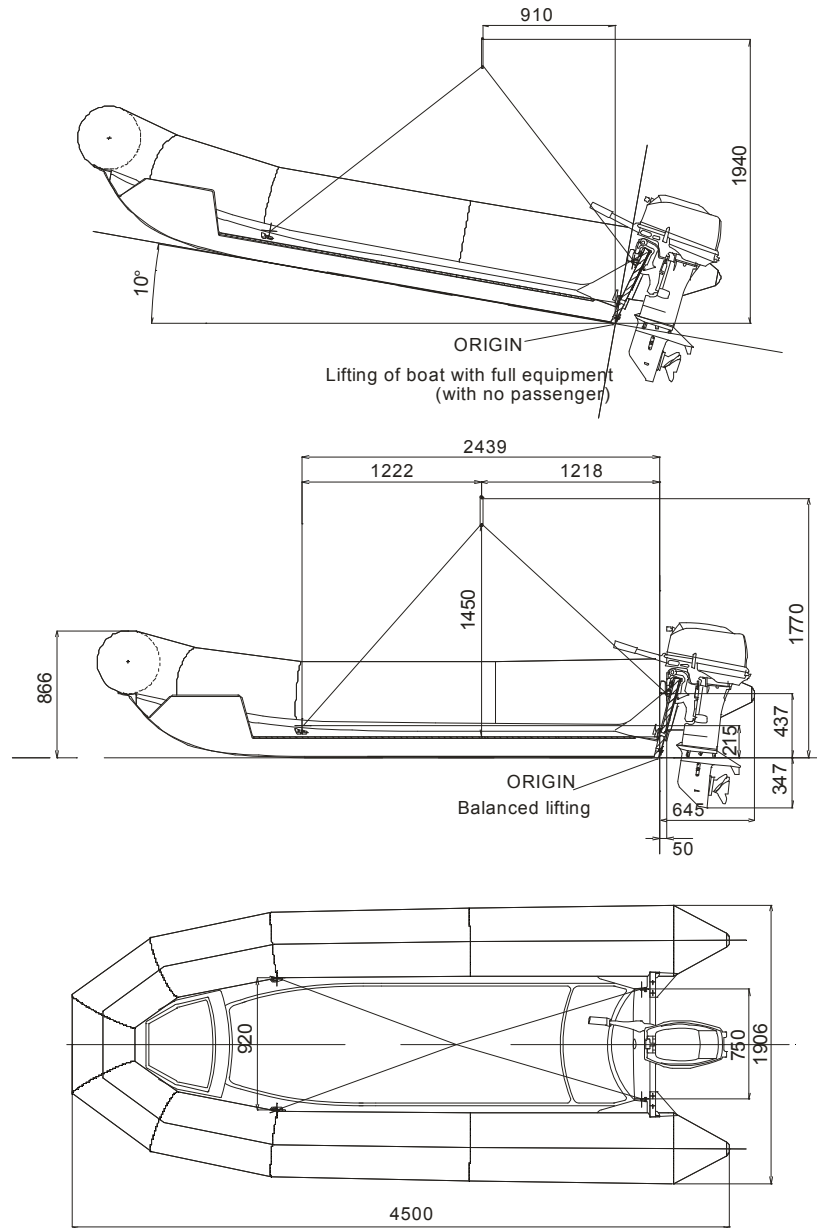


# RESCUE BOAT RIBO 450 P SLING



*Bowsing line length = 1835 mm  
Aft sling length = 1665 mm*

## Overall dimensions with lifting sling

RIBO 450 26092011.doc

Issue: 5

Date: 26/09/2011

Dimensions and weight +/- 5%  
SURVITEC SAS reserves the right to change specification without notice.  
For installation, add minimum +10mm for clearance to dimensions of the container.

<b>CAPACITY</b>					
Number of persons: 6			Buoyancy volume: 1458 l / 51.48 cft		
<b>DIMENSIONS</b>					
Length		Width		Buoyancy diameter	
Overall	Inside	Overall	Inside	From 0.430 m / 1'5" to 0.487 m / 1'7"	
4.50 m / 14'9"	3.52 m / 11'7"	1.90 m / 6'3"	0.93 m / 3'1"		
<b>SAFETY / INFLATION</b>					
. 5 airtight compartments		. 5 inflation valves		. 5 overpressure valves (Leaffield)	
<b>WEIGHT</b>					
With equipment & batteries		With equipment, engine (40 CV) & fuel		Operational weight with passengers (40 CV)	
EC : 246 kg / 542.1 lbs US : 212 kg / 467.2 lbs		EC : 406 kg / 894.8 lbs US : 372 kg / 819.8 lbs		EC : 901 kg / 1985.8 lbs US : 867 kg / 1910.8 lbs	
<b>ENGINE</b>					
Shaft length		Engine power		Fuel tanks	
long		25 CV 19 kw	40 CV 29.4 kw	2 x 25 l 2 x 6.6 US Gallon	
<b>TOWING</b>					
. 2 bow towing rings on hull		. 1 bow towing V with on load release shackle			
. 2 towing points on transom		. 1 aft towing V with snap hook			
<b>HOISTING</b>					
. 2 bow lifting points		. 2 aft lifting points on transom		. 1 lifting sling	
<b>OPTIONS</b>					
. Release hook: SWL ≥ 950 kg & ≤ 1.5 ton		. Overall cover			
. SOLAS Engines: Tohatsu M25C3 L - Maximum towing force: 188 daN Tohatsu M40C L - Maximum towing force: 250 daN Yamaha 25NM HOL - Maximum towing force: 184 daN Yamaha 40VM HOL - Maximum towing force: 313 daN					
. US Engines: Evinrude 25 Hp - Maximum towing force: 2613 N Evinrude 40 Hp - Maximum towing force: 2334 N					
. Propeller pitch: 3 x 13 x 19					

RIBO 450 26092011.doc	Issue: 5	Date: 26/09/2011
-----------------------	----------	------------------

Dimensions and weight +/- 5%  
 SURVITEC SAS reserves the right to change specification without notice.  
 For installation, add minimum +10mm for clearance to dimensions of the container.

FABRIC			
. Neoprene orange fabric	. Buoyancy		
. Reflective tapes	. Peripheral rubbing strake		
HULL			
. GRP composite rigid orange hull	. Reflective tapes		
. 1 hull drain			
TRANSOM			
. 1 self bailer	. Engine aluminium mounting plate + wooden plate		
HANDLING			
. Inside lifeline (4.7m)	. Outside lifeline (12.1m)		
SEATING			
. 2 fixed benches	. 1 tilting bench		
EQUIPMENT FIXED TO THE RESCUE BOAT			
. 50m line	. Righting lines (2)	. Rescue quoits (2)	. Boarding ladder
. Boat hook	. Paddles (2)	. Positioning light	. Radar reflector
. Towing line (50m)			
OTHER EQUIPMENT			
. Compass	. Whistle	. Bailer	. Pump
. Sponge (2)	. Sea anchor	. Repair kit	. Manual
. First aid kit	. Floating knife	. Fire extinguisher	. Equipment bag
. Search light *	. Electrical torch	. Telescopic paddles	. Battery box
. Thermal protective aid (2)		. Torch spare bulb & batteries	
* Search light battery is not provided with the boat			

<b>Approvals:</b>	<b>EC (MED) - USCG</b>
-------------------	------------------------

RIBO 450 26092011.doc	Issue: 5	Date: 26/09/2011
-----------------------	----------	------------------

Dimensions and weight +/- 5%  
 SURVITEC SAS reserves the right to change specification without notice.  
 For installation, add minimum +10mm for clearance to dimensions of the container.