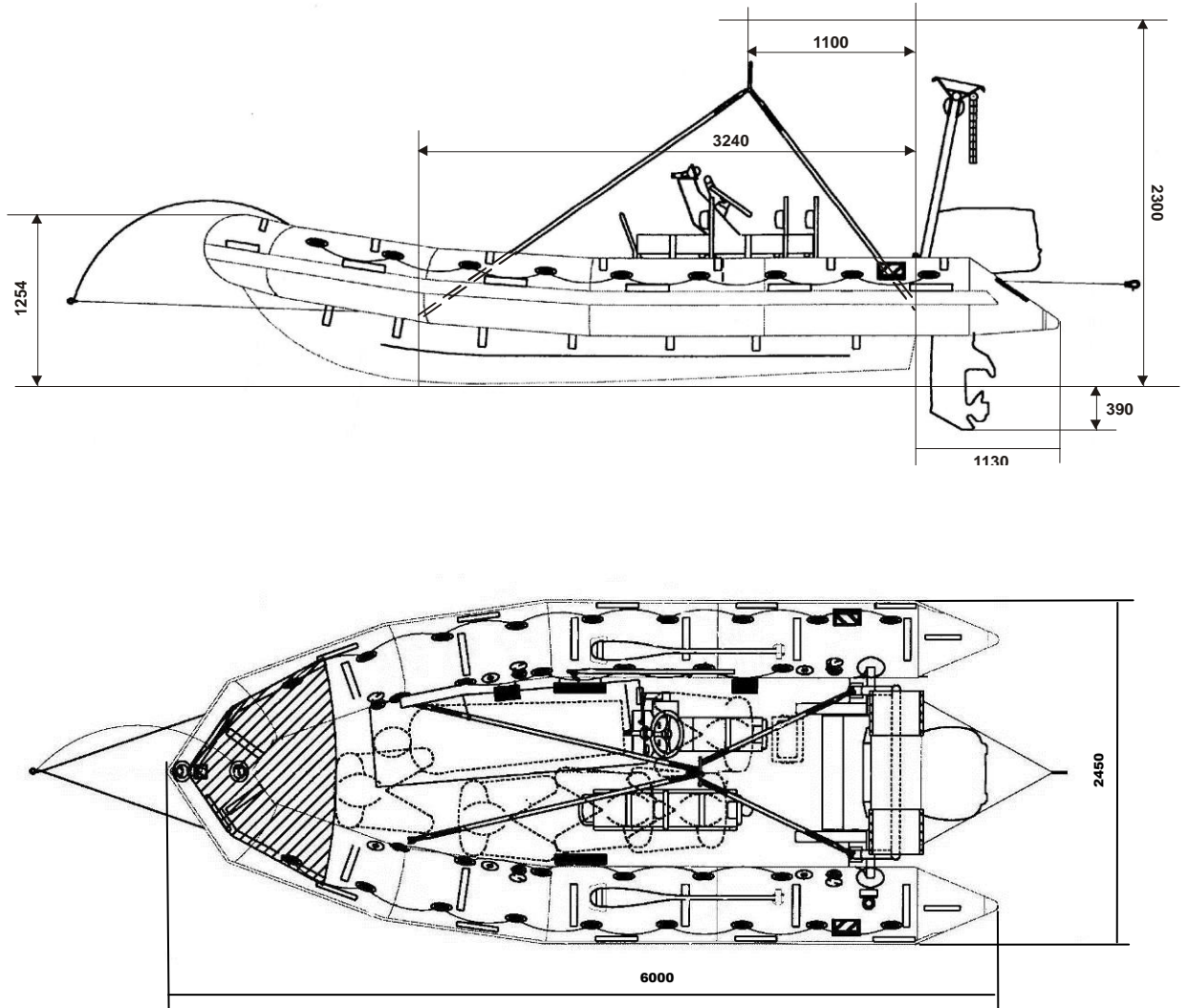


RESCUE BOAT RIBO 600 SLING



Overall dimensions with lifting system

RIBO 600 24052012 KLT.doc

Issue: 6

Date: 24/05/2012

Dimensions and weight +/- 5%
SURVITEC SAS reserves the right to change specification without notice.
For installation, add minimum +10mm for clearance to dimensions of the container.

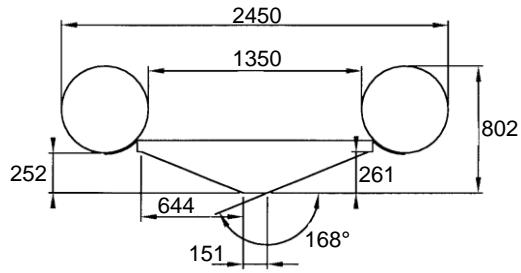
CAPACITY					
Number of persons: 6			Buoyancy volume: 2600 l / 92 cft		
DIMENSIONS					
Length		Width		Buoyancy diameter	
Overall	Inside	Overall	Inside	0.550 m / 22"	
6 m / 19'08"	4.47 m / 14'08"	2.45 m / 8'	1.35 m / 4'05"		
SAFETY / INFLATION					
. 5 airtight compartments		. 5 inflation valves		. 5 overpressure valves	
WEIGHT					
With equipment & batteries		With equipment, engine (90 HP) & fuel		Operational weight with 6 passengers (90 HP)	
494 kg / 1089 lbs		785 kg / 1730 lbs		1283 kg / 2828 lbs	
ENGINE					
Shaft length		Engine power		Fuel tank	
long		75 HP	90 HP	93 l 24.5 l USCG	
TOWING					
. 2 bow towing rings on hull		. 1 bow towing V with on load release shackle			
. 2 towing points on transom		. 1 aft towing V with snap hook			
HOISTING					
. 2 bow lifting points		. 2 aft lifting points on transom		. 1 lifting sling	
OPTIONS					
. Release hook: SWL ≥ 1500 kg					
. Engines: Yamaha 75 HP - Towing force: 364 daN					
Yamaha 90 HP - Towing force: 382 daN					
Evinrude 75 HP - Towing force: 451 daN					
Evinrude 90 HP - Towing force: 472 daN					
. Propeller pitch: Yamaha		75 HP: 13.25 x 13		90 HP: 13.25 x 15	
Evinrude		75 HP: 13.25 x 13		90 HP: 13.25 x 13	

RIBO 600 24052012 KLT.doc	Issue: 6	Date: 24/05/2012
---------------------------	----------	------------------

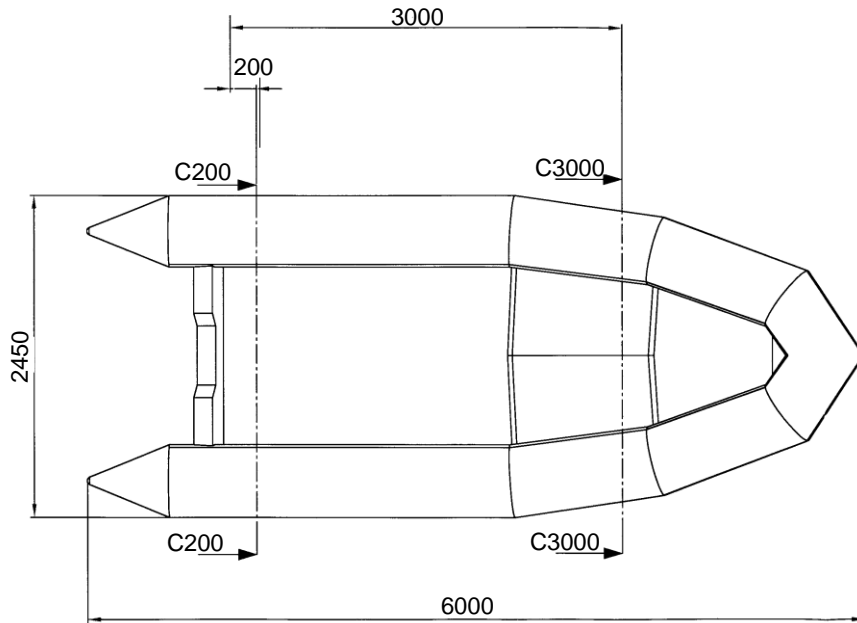
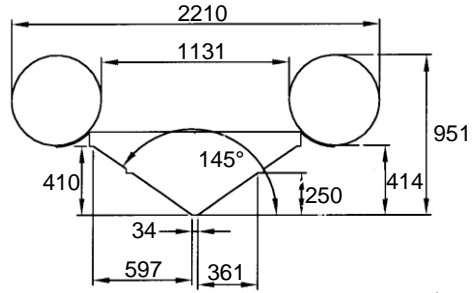
Dimensions and weight +/- 5%
 SURVITEC SAS reserves the right to change specification without notice.
 For installation, add minimum +10mm for clearance to dimensions of the container.

FABRIC			
. Neoprene orange fabric	. Buoyancy		
. Reflective tapes	. Peripheral rubbing strake		
HULL			
. GRP composite rigid orange hull	. Reflective tapes		
. 1 hull drain			
TRANSOM			
. 2 self bailers	. Aluminium transom well		
. Engine aluminium mounting plate	. Engine wooden plate		
HANDLING			
. 2 inside lifelines	. 1 peripheral outside lifeline	. 2 paddles' supports	
SELF RIGHTING SYSTEM			
. Self righting frame on transom	. Self righting buoyancy	. CO ² /N ² inflation system	
CONSOLE / SEATING			
. Steering console	. 1 pilot jockey seat	. 1 crew jockey seat + handles (2 persons)	
EQUIPMENT FIXED TO THE RESCUE BOAT			
. 50m line	. Rescue quoits (2)	. Boarding ladder	. Boat hook
. Paddles (2)	. Flashing light	. Radar reflector	. Bow cover
OTHER EQUIPMENT			
. Compass	. Whistle	. Bailer	. Pump
. Sponge (2)	. Sea anchor	. Repair kit	. Manual
. First aid kit	. Floating knife	. Fire extinguisher	. Equipment bag
. Overall cover	. Electrical torch	. Torch spare bulb & batteries	
. Search light	. Thermal protective aid (2)		

COUPE / CUT
C200 - C200



COUPE / CUT
C3000 - C3000



Hull profile

Approvals:	EC - TC
-------------------	----------------

RIBO 600 24052012 KLT.doc	Issue: 6	Date: 24/05/2012
---------------------------	----------	------------------

Dimensions and weight +/- 5%
SURVITEC SAS reserves the right to change specification without notice.
For installation, add minimum +10mm for clearance to dimensions of the container.