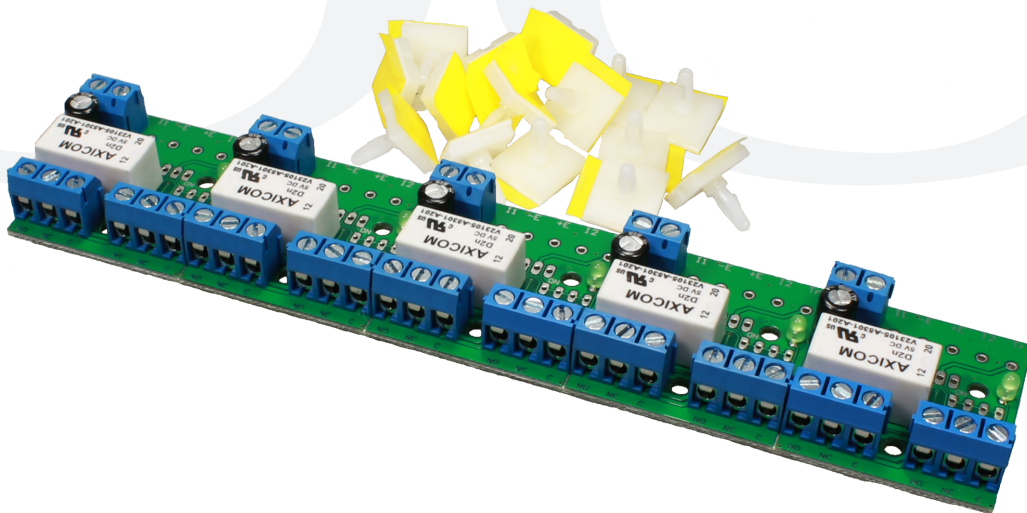


# Relay Board

## RP AC/DC

Art. No.: 460153

## Installation

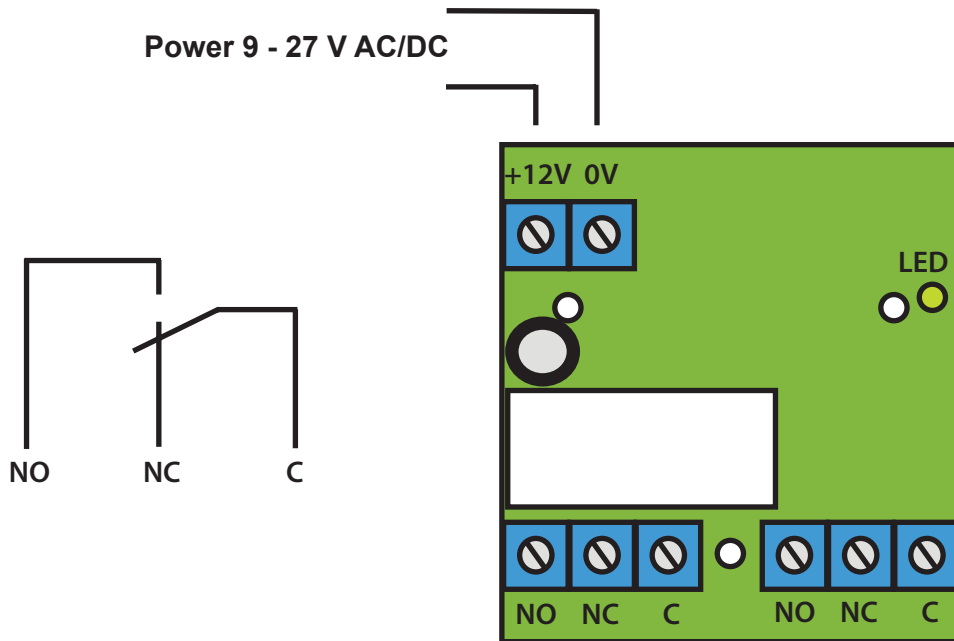


**CE**

RPac-dc v.1 installation ENGoct12

## **Specifications**

- Power: 9 - 27 V AC/DC
- 2 Relays
- Green LED indication
- Consumption: Pasive - 1mA, active 30 mA
- Dimensions (WxD): 35x38 mm.



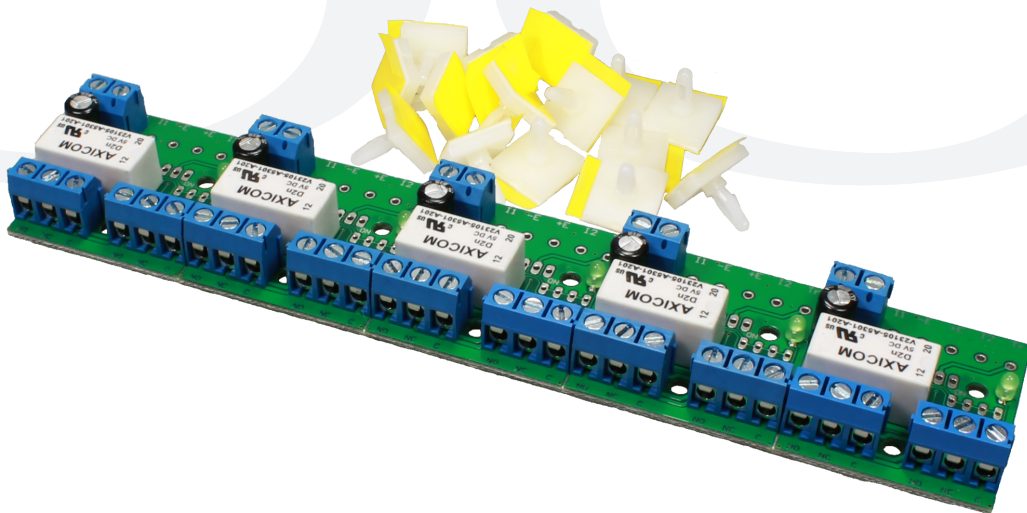
|       |                |
|-------|----------------|
| Power | 9 - 27 V AC/DC |
| Power | 9 - 27 V AC/DC |
| C     |                |
| NC    |                |
| NO    |                |
| C     |                |
| NC    |                |
| NO    |                |

# Relay Board

## RP AC/DC

Art. No.: 460153

## Installation

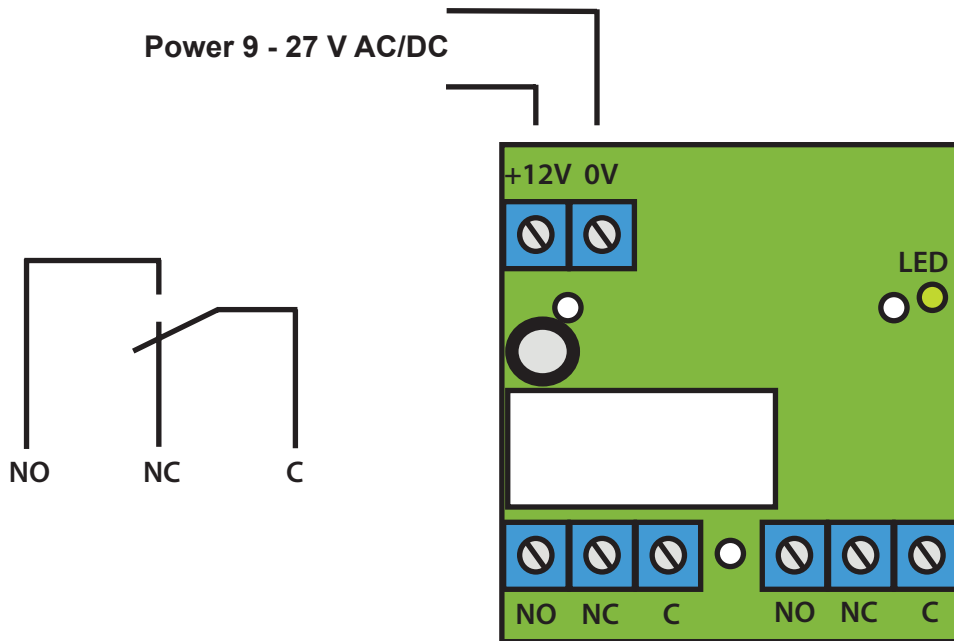


**CE**

RPac-dc v.1 installation ENGoct12

## **Specifications**

- Power: 9 - 27 V AC/DC
- 2 Relays
- Green LED indication
- Consumption: Pasive - 1mA, active 30 mA
- Dimensions (WxD): 35x38 mm.



|       |                |
|-------|----------------|
| Power | 9 - 27 V AC/DC |
| Power | 9 - 27 V AC/DC |
| C     |                |
| NC    |                |
| NO    |                |
| C     |                |
| NC    |                |
| NO    |                |