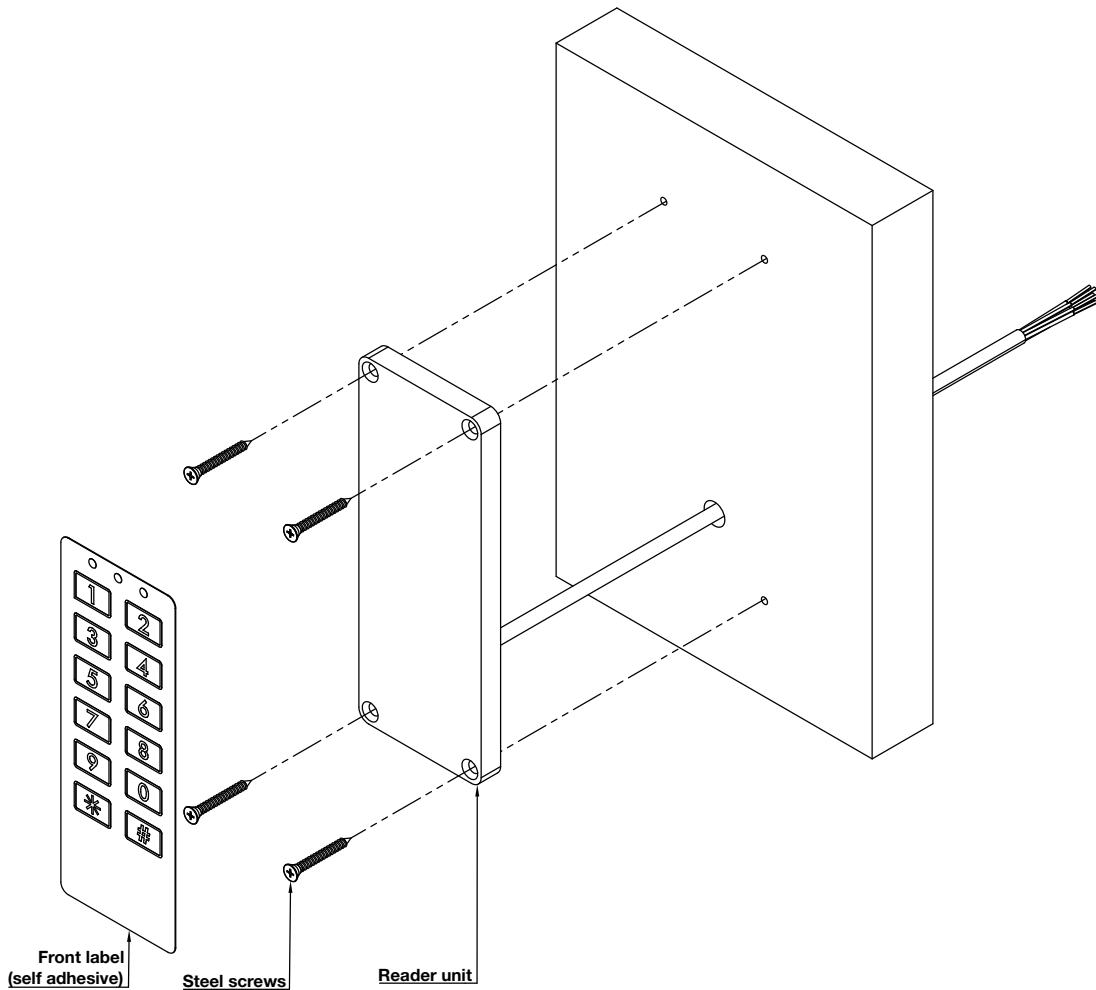
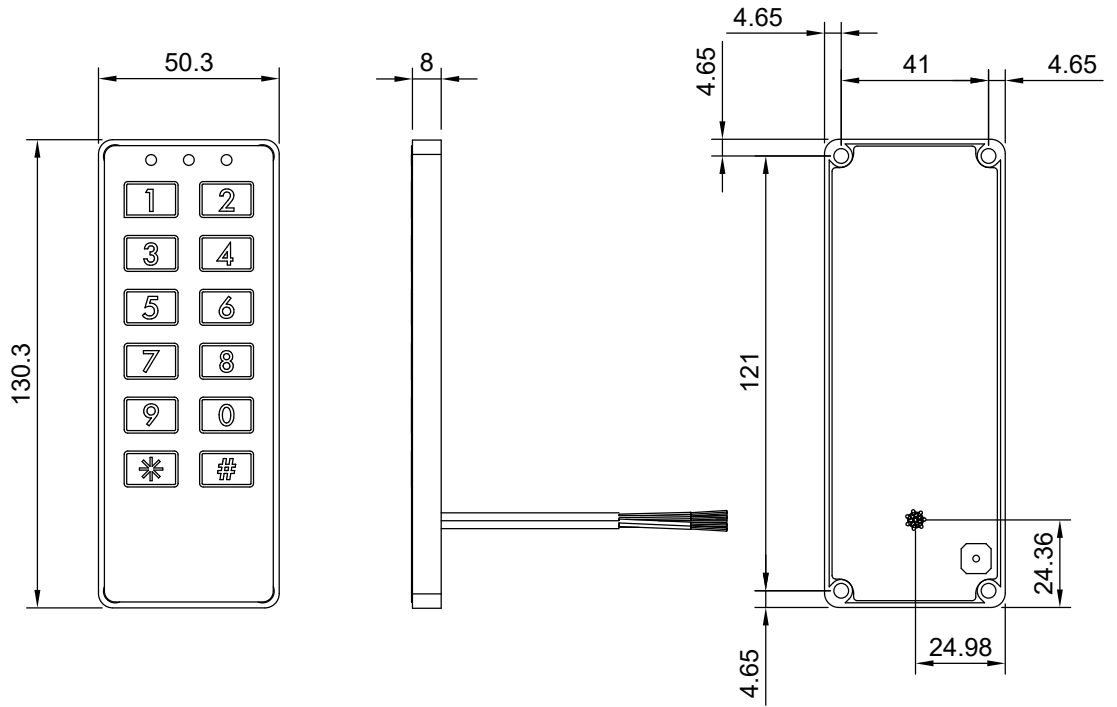
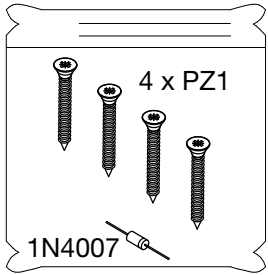


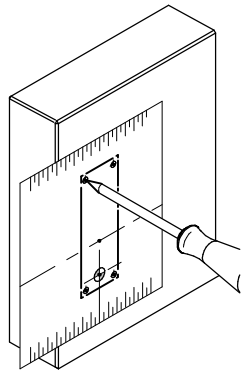
Eng **Installation guide**
 Dk **Installationsvejledning**



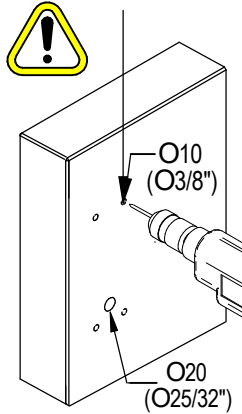
(Eng) Installation

(Dk) Installation

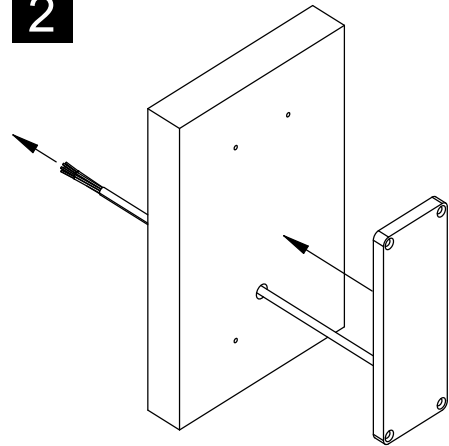
1



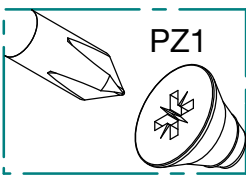
25 mm [1"] deep hole.
Hul 25 mm dybt.



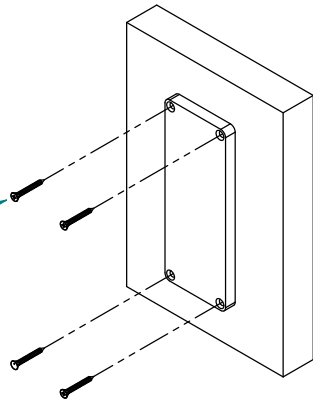
2



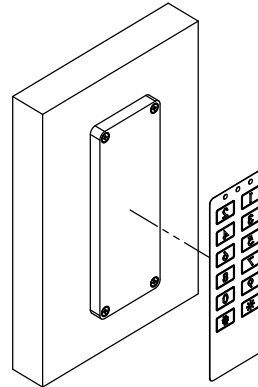
3



Use a PZ1 screwdriver.
Brug en PZ1 skruetrækker.



4

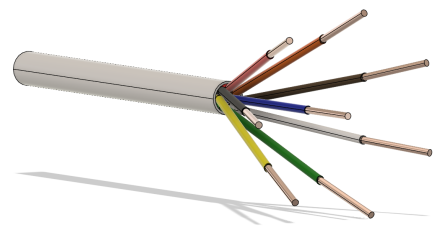


Stick the label on the front of the device.
Sæt etiketten på forsiden af enheden.

(Eng) Wiring

(Dk) Kabelforbindelser

Cable color	Function
●	Power +, 9 to 24 VDC, ~45mA
●	Power -, GND
○	Output 1, Open Collector, active LOW (GND)
●	Output 2, Open Collector, active LOW (GND)
●	Input, exGreen, activates/disactivates Green LED, active LOW (GND)
●	Input, exRed, activates/disactivates red LED, active LOW (GND)
●	Input, exBuzzer activates/disactivates Buzzer, active LOW (GND)
●	Input, REX, Request of Exit, active LOW (GND)



Eng Electrical characteristics

Dk Elektriske detaljer

Eng

OPERATING CHARACTERISTICS			
	Min.	Max.	Unit
Temperature	-35	66	°C
Humidity	0	95	%

POWER SUPPLY	
9 to 24	VDC

E

MILJØBETINGELSER			
	Min.	Max.	Måleenhed
Temperatur	-35	66	°C
Fugtighed	0	95	%

STRØMFORSYNING	
9 to 24	VDC

Eng Lock connection

Dk Låseforbindelse

