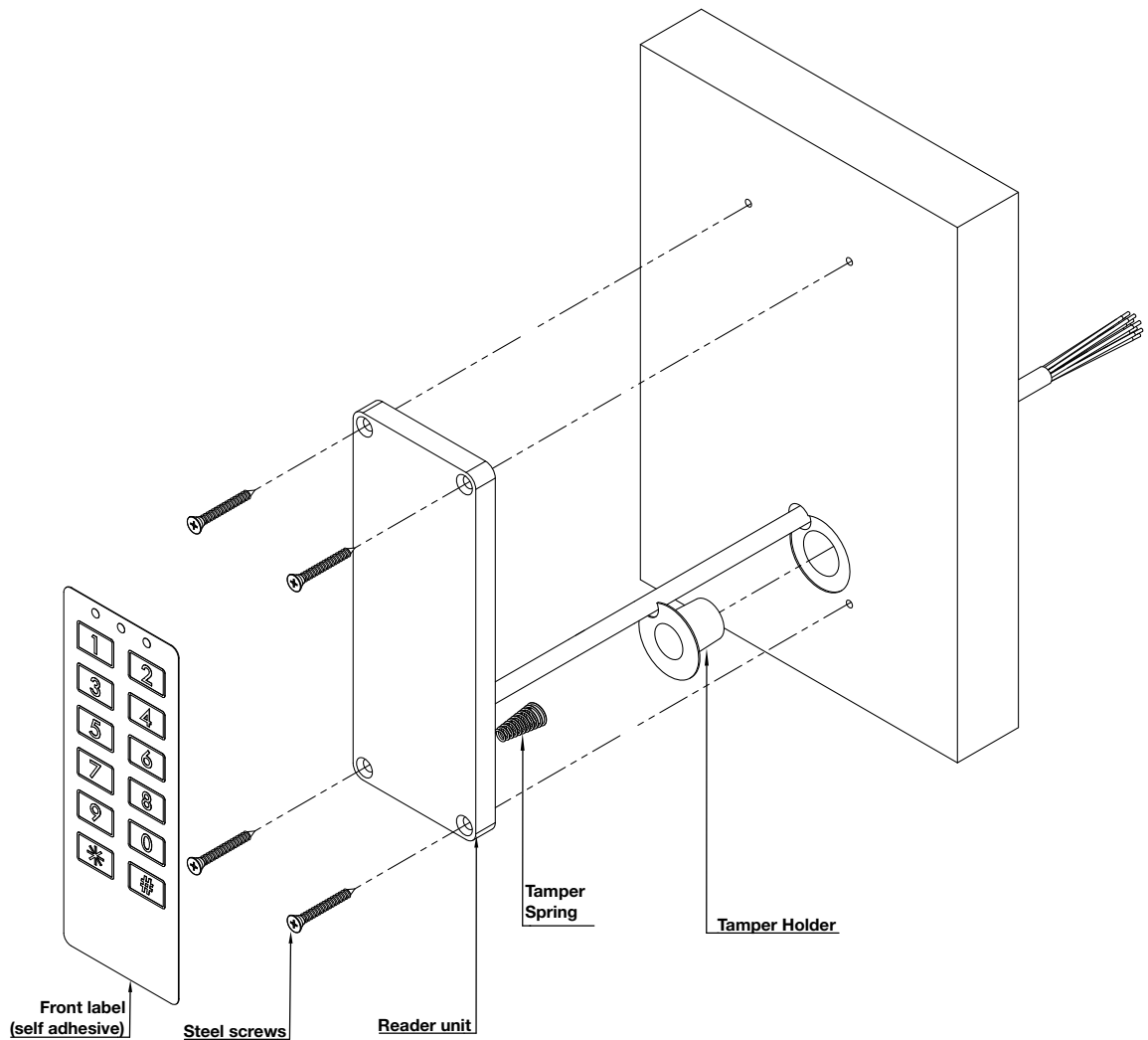
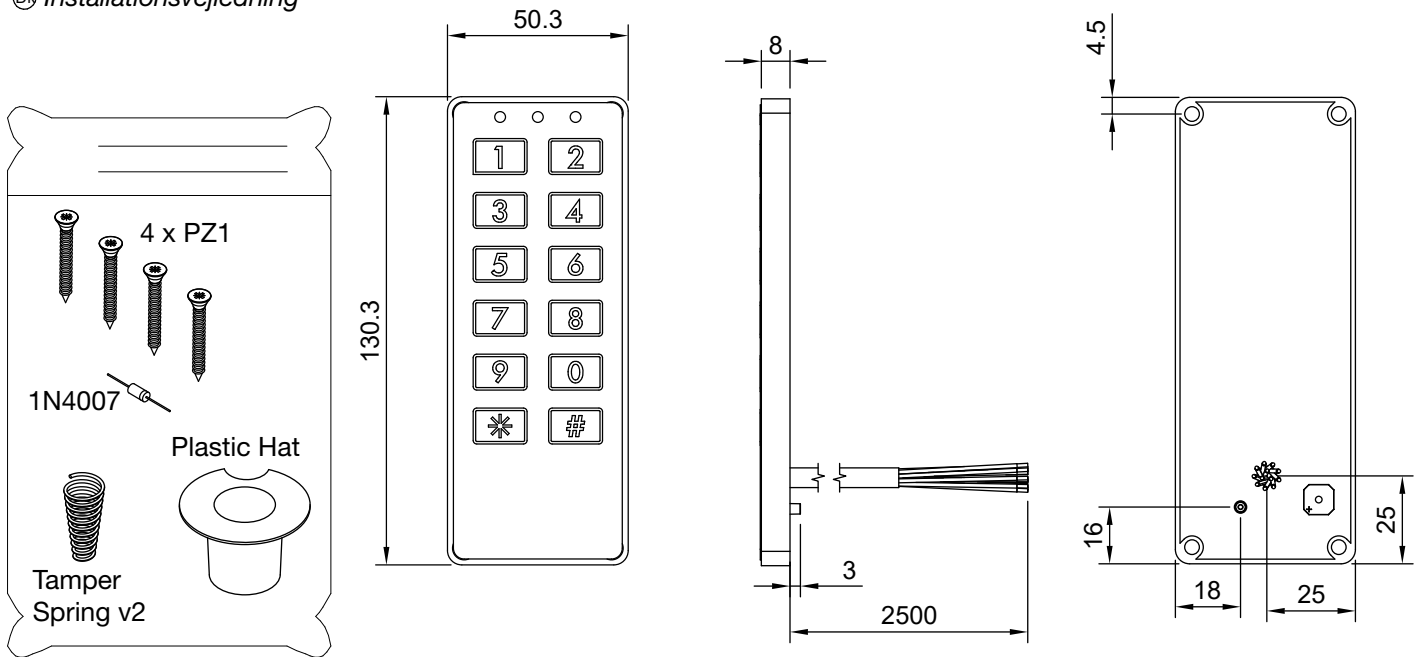
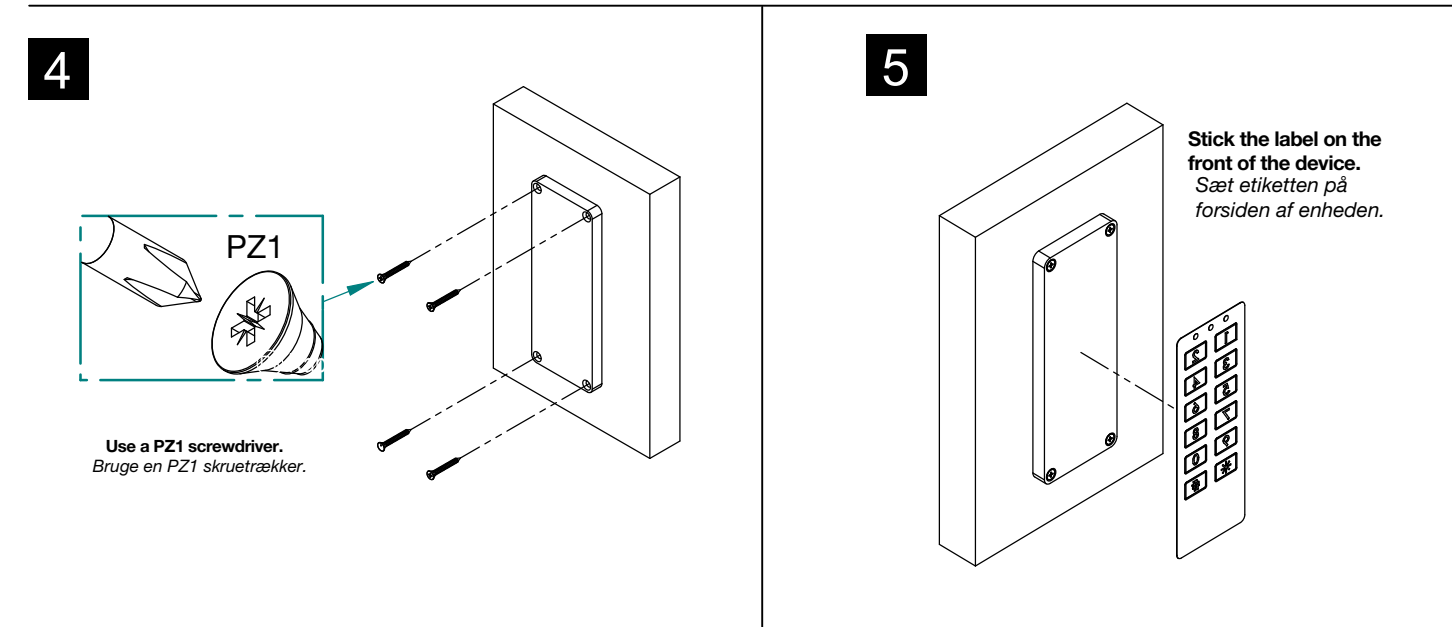
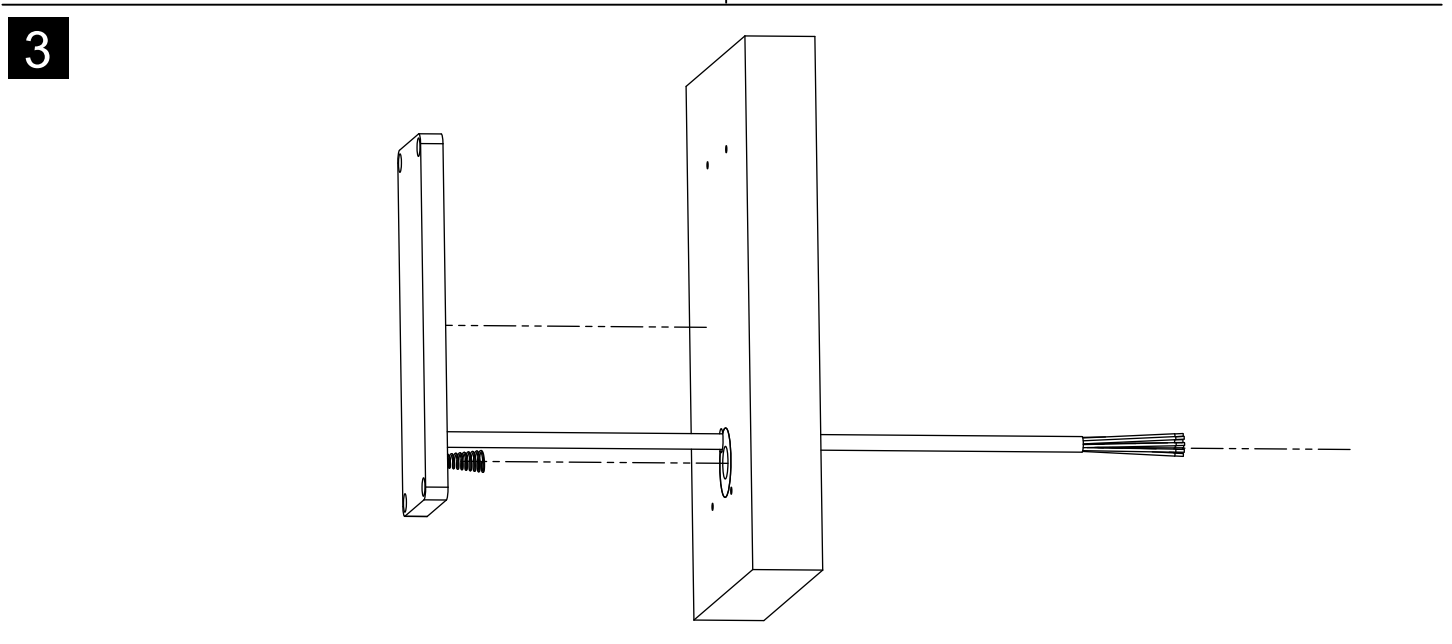
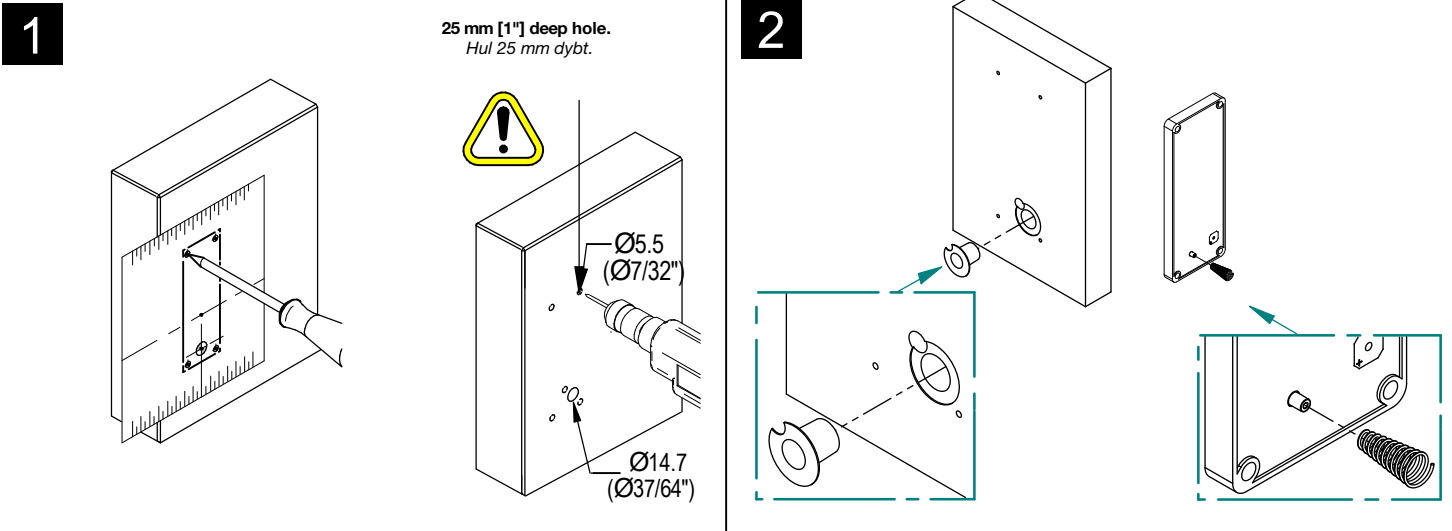


Eng Installation guide
Dk Installationsvejledning



(Eng) Installation

(Dk) Installation



Eng Wiring

Dk Kabelforbindelser

Cable color	Function
●	Power +, 9 to 24 VDC, ~45mA
●	Power -, GND
○	Output 1, Open Collector, active LOW (GND)
●	Output 2, Open Collector, active LOW (GND)
●	Input, exGreen, activates/disactivates Green LED, active LOW (GND)
●	Input, exRed, activates/disactivates red LED, active LOW (GND)
●	Input, exBuzzer activates/disactivates Buzzer, active LOW (GND)
●	Input, REX, Request of Exit, active LOW (GND)
●	Open-trough, Tamper Button (Normally Opne)
●	Open-trough, Tamper Button (Normally Opne)
●	Not used
●	Not used

Eng Electrical characteristics

Dk Elektriske detaljer

Eng

OPERATING CHARACTERISTICS			
	Min.	Max.	Unit
Temperature	-35	66	°C
Humidity	0	95	%

POWER SUPPLY	
9 to 24	VDC

Dk

MILJØBETINGELSER			
	Min.	Max.	Måleenhed
Temperatur	-35	66	°C
Fugtighed	0	95	%

STRØMFORSYNING	
9 to 24	VDC

Eng Lock connection

Dk Låseforbindelse

