

# Mifare reader

## M1000

Art. No: 480060 (black), 480061 (white)

# User manual





## Table of Contents

1.	Introduction	page 3
2.	Installation	page 3
3.	Programming users	page 4
	3.1 Mastertransponder	page 4
	3.2 Programming user tags	page 4
	3.3 Deleting user tags	page 4
4.	Configuration	page 5
	4.1 Programming mode	page 5
	4.2 Backup/cloning	page 5
	4.3 Settings	page 5
	4.3.1 OC Split	page 5
	4.3.2 OC Inverted	page 5
	4.3.3 Timeout	page 6
	4.3.4 Free locker	page 6



## 1. Introduction

M1000 is a flexible Mifare reader for many applications. The reader has 3 LED's (yellow, green and red) for indication of approved/rejected tag and for navigation when configuring the readers settings. 80 users (possible in 2 blocks for individual output).

In standby the yellow LED is lit (● ○ ○)

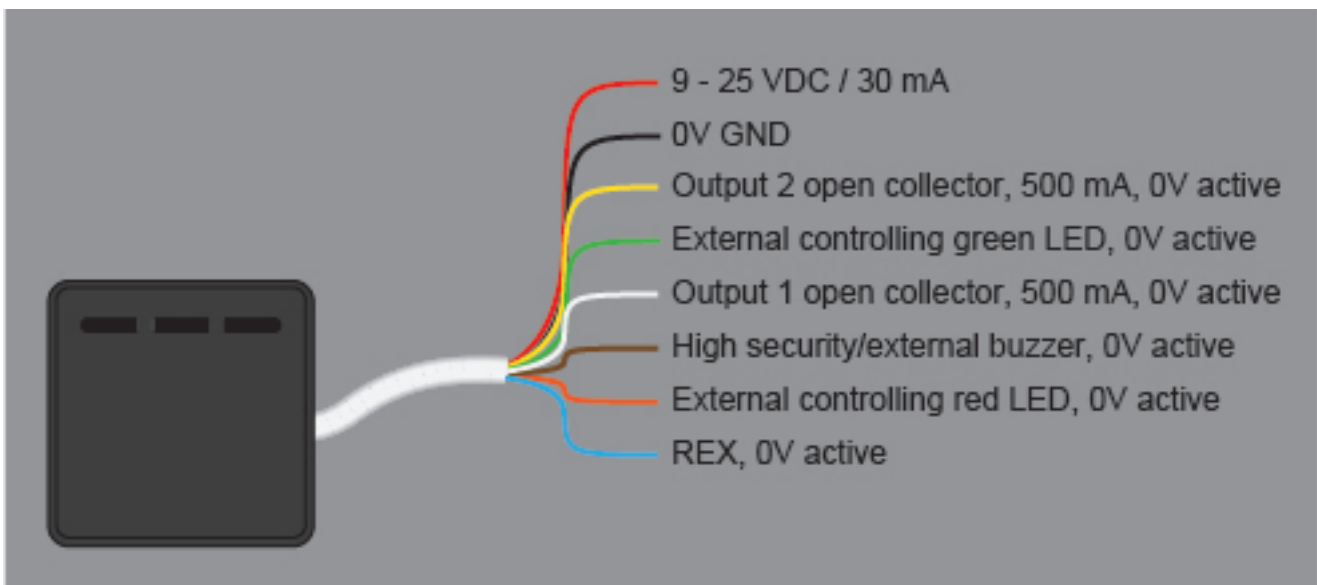
By approved tag or card the yellow and green LED are lit (● ● ○)

By rejected tag or card the red LED is lit (○ ○ ●)

## 2. Installation

Mount the reader on a even surface.

Connect the wires to power supply, locking device, assembly box etc.



**Note:** Right after the voltage is applied lights all 3 LED's and the buzzer sounds. Right after the yellow LED flashes and the buzzer is silent.



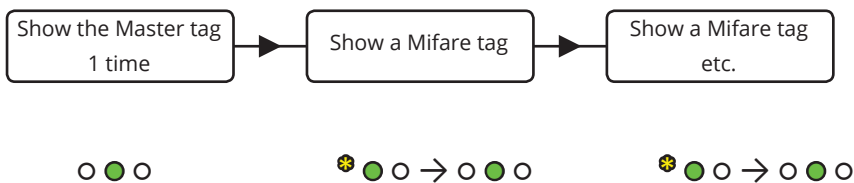
### 3. Programming user tags

#### 3.1 Master transponder

Before you can use the M1000 you have to program a Master transponder (indication = \* o o). Show that tag you want as Master transponder, a green light confirms the programming and the M1000 is now ready for programming user tags and configuring the settings.

#### 3.2 Programming new user tags

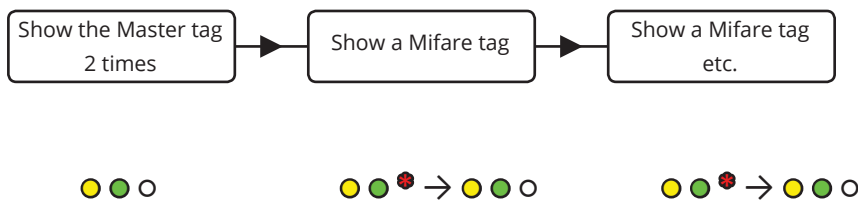
The M1000 has 2 outputs (yellow and white wire) that can activate each locking device. By default activates all tags output 2. To split the outputs see "OC Split".



To exit the programming, wait for 30 seconds or disconnect and reconnect the voltage.

#### 3.3 Deleting user tags

Deleting individual users



The M1000 can also delete all users at once, delete a lost user and delete the master transponder. Use the enclosed configuration scheme as a guide.



## 4. Configuration

### 4.1 Programming mode

To configure the M1000, the reader must be disconnected and reconnected (for about 2 seconds). Now the Master transponder can configure the M1000's settings. Please see the configuration schema # markings.

Remember to show the Master Transponder within 10 seconds to allow you to change the M1000's configurations (timeout).

The following configurations only work after power on / off as described.

### 4.2 Backup/cloning

The M1000's information can be stored and loaded with a Backup card (Art. No. 480080). Please see the enclosed configuration scheme for further information.

### 4.3 Settings

These settings can split the outputs, invert the outputs, and set the timeout. Use the enclosed configuration scheme.

#### 4.3.1 OC Split (1 flash on the yellow LED)

From the factory, the loaded tags enable both outputs (user space 1 to 80). This setting divides the user locations. User 1 to 40 activates output 2 (yellow wire) and user space 41 to 80 activates output 1 (white wire).

Show master transponder for toggle (● = split, ● = combined).

#### 4.3.2 OC1 and OC2 inverted (2 or 3 flashes on the yellow LED)

These functions invert the M1000's outputs (2 flashes for output 1 and 3 flashes for output 2).

(● = inverted, ● = not inverted).



### 4.3.3 Timeout (4 flashes on the yellow LED)

This function sets the M1000's timeout time. Show the master transponder to start, the buzzer gives a beep for every second, show the master transponder again to end the count.

### 4.3.4 Free locker (5 flashes on the yellow LED)

The Free locker function can be used for access control, especially where the user often switches.

Show the reader a card or tag, and if the cabinet is free, it will lock and can only be unlocked with the same card or tag.

#### **Free locker timeout**

Count for hours, so if you want it to be set to 4 hours, wait for 4 seconds. Save 0 for the reader not to open after x hours, but only when the card/tag is showed to the reader again. Default is set to 10 hours.

User position 1 resets free locker.

CC

Thank you for choosing Conlan's products.

For further assistance, please contact  
Our support service.