

Code & Bluetooth Low-Energy (LE)

Classic - Art. Nr. 492130 (black), 492131 (white)
Mykey - Art. Nr. 492230 (black), 492231 (white)

User manual





Introduction

CB1200LE is a flexible keypad and Bluetooth reader in one unit for many different applications.

The output is Wiegand format as for other Conlan Wiegand readers. To be used in connection to other Wiegand controllers or the stand alone Wiegand controller from Conlan (Art. No. 460116)

In standby the yellow LED is lit (● ○ ○)

By correct code the yellow and green LED lights (● ● ○)

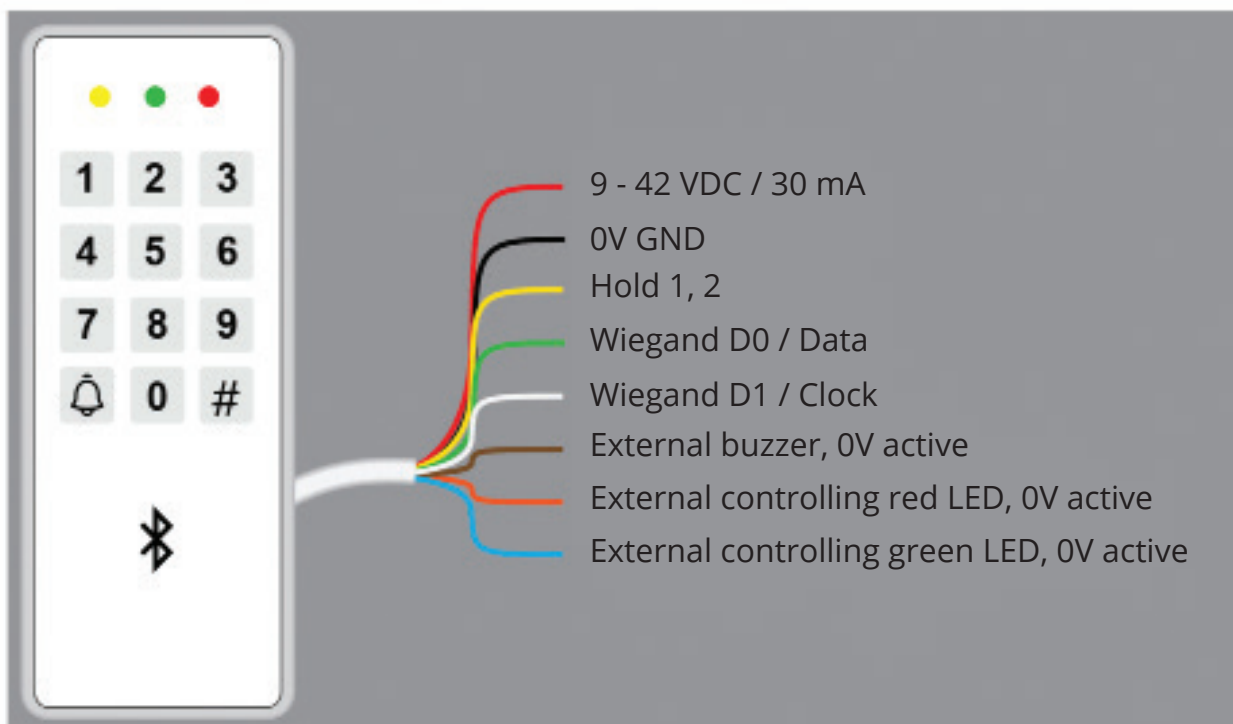
By correct bluetooth device the green LED lights one time (● ● ○)

By incorrect code the red LED lights (○ ○ ●) - with controller

Installation

Mount the reader on a even surface.

Connect the wire to power supply, Wiegand controller etc.



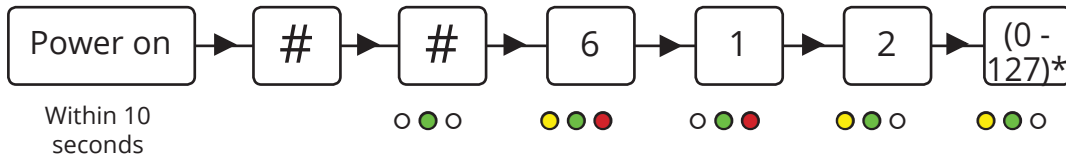
Note: Right after applying the voltage all LED's lights and the buzzer sounds. **Do not** touch the reader until the yellow LED is lit and the buzzer is silent.



Configuration

On the configuration scheme you will find how to set up all parameters.

Example 1: Setup Bluetooth detection range

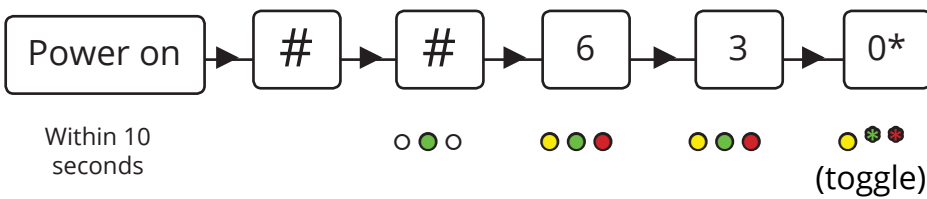


To leave the programming phase, press **#** three times.

*127 means the maximal detection range.

Example 2: Setup Continuous Mode

This mode means that the reader sends out a Wiegand signal every x* seconds, as long as you are within the detection range. Very useful for nearby detection, keeping the door open as long as you are in range.

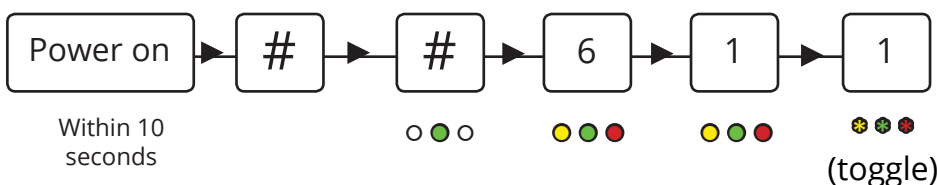


To leave the programming phase, press **#** three times.

*You can set how often the reader should send a signal. You can set it to between 1-255 seconds. If you enter the value 0 (disabled), the reader sends a Wiegand signal up to 10 times per second.

Example 3: The Walk Test

This mode is for automatical setting of the detection range. You can set the detection range with your LE-Tag (Bluetooth on). Walk to the distance you want to be the detection range, and stay there for 10 seconds (green LED lights when OK and the reader goes back to the Distance Settings).



Place your mobile phone/LE-Tag near the reader and wait for the LED's to light continuously: $\text{yellow} \circ \circ \rightarrow \circ \text{green} \circ \rightarrow \circ \circ \text{red} \rightarrow \text{yellow} \circ \circ$ etc. Now walk to the desired distance within 10 seconds, the reader's yellow LED will flash 7 times ($\text{yellow}^* \circ \circ$) to read the distance and a steady green light ($\circ \text{green} \circ$) confirms the settings and the green and red LED lights ($\circ \text{green} \circ \text{red}$).

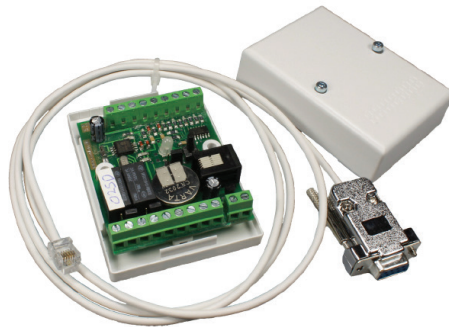
To leave the programming phase, press **#** three times.



CB1000 - stand alone Bluetooth reader (Art. No. 480030)



Art. No. 492031



Art. No.: 460116

This multi-purpose code and Bluetooth reader works as a stand alone system consisting of: a CB1200LE and a Wiegand controller (see the manual for the Wiegand controller).

The Wiegand controller has a Mastercode (4711). By help of that you can bring the controller in enroll mode. Keep the mobile phone near the reader and turn on Bluetooth. A green flash will confirm the succesful programming. Then the mobile phones as well as a programmed code will activate the relay in the controller.

The Wiegand Controller can also be programmed by a PC (software is included). The controller has a log (3500 events) and relays for the door and alarm as well as a door control and door opener (REX).

Please read the Wiegand Controller user manual, page 2-4.

Note: The mobile phone activates the reader to open the door. To activate again the mobile phone has to be out of the readers detection range for 10-12 seconds.

Thank you for choosing Conlan's products.

For further assistance, please contact
our support service.