

Miniature All-rounder

3-10W Cost-effective AC/DC Converter

LSxx-13BxxR3



Less Layout
Space



Controllable
Cost



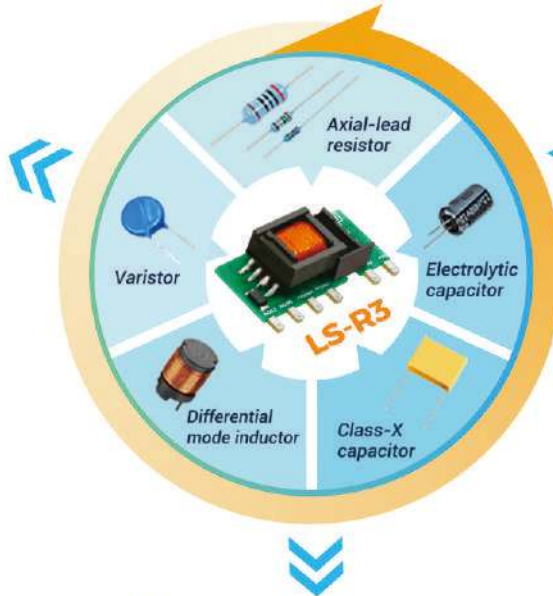
Reliable
Performance

Flexible Peripheral Designs for a Wide Range of Applications

Simplify design with flexible peripheral circuits, provides with 4 selectable temperature levels and optional EMC levels for a wide range of applications working in diverse environmental conditions.

4 Temperature levels

Class I	-5 to 45°C
Class II	-25 to 55°C
Class III	-40 to 70°C
Class IV	-40 to 85°C



Optional EMC levels

EMS(EFT&SURGE)

EFT: $\pm 2\text{KV}$
Surge: line to line $\pm 1\text{KV}$
EFT: $\pm 4\text{KV}$
Surge: line to line $\pm 2\text{KV}$

EMI

Class A
Class B

A Wide Range of Applications



IoT



Electric power



Smart household appliances



Instrument



Intelligent building



Industrial control



And more...

Build Your Own Personalized Power Supply

Instrument



Smart meters

IoT



Intelligent switch

New energy

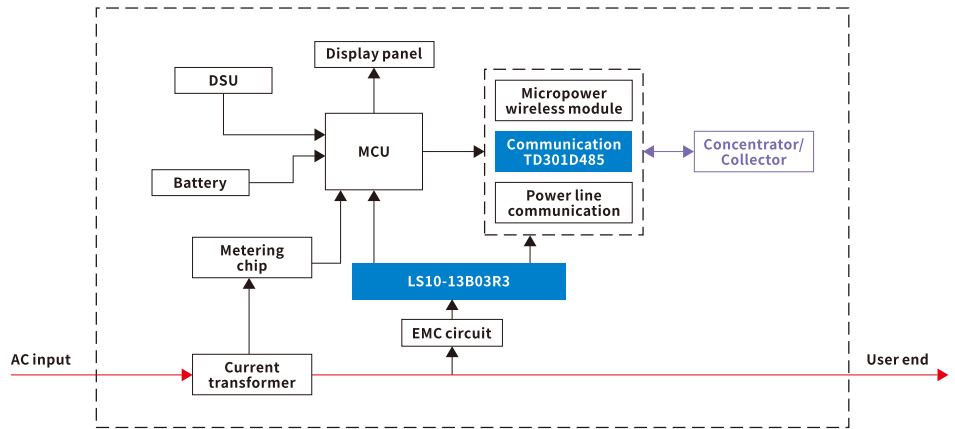


EV charging box

Instrument Application Solution



Smart meters



Peripheral Design Recommendation

(Applicable for LS05-13B12R3, for the other models it requires changes in the specification of the peripheral components accordingly)

IoT Application

◀ Typical application: Intelligent Switch



EMI	Class B
EMS	EFT: ±2KV Surge: line to line ±1KV
Operating temperature	-25 to 55°C

	Recommended value
Electrolytic capacitor	10μF/450V
Differential mode inductor	1.2mH/Max: 4.0Ω/Min: 0.2A
X capacitor	0.1μF/310VAC
Y capacitor	1nF/400VAC
Wirewound Resistor	12Ω/3W
Fuse	1A/300V, slow-blow

Smart Household Appliances



◀ Typical application: smart coffee maker

EMI	Class B
EMS	EFT: ±2KV Surge: line to line ±1KV
Operating temperature	-25 to 55°C

	Recommended value
Electrolytic capacitor	10μF/450V
Differential mode inductor	1.2mH/Max: 4.0Ω/Min: 0.2A
X capacitor	0.1μF/310VAC
Y capacitor	1nF/400VAC
Wirewound Resistor	12Ω/3W
Fuse	1A/300V, slow-blow

Note: Customer can DIY with double Y capacitors

Per visualizzare il catalogo completo siete invitati ad [effettuare il login sul sito](#) oppure ad [effettuare la registrazione gratuita](#).