



**CAPACITOR
COMPETENCE**
since 1958

FILM CAPACITORS

FILM CAPACITORS · AC FILTER

CBB 235/235Y AT/AY

JIANGHAI EUROPE
Electronic Components GmbH



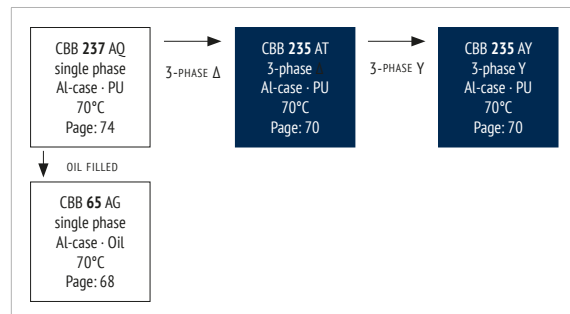
ENGINEERED SOLUTIONS

v2020.1

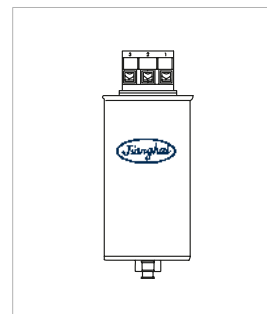
FEATURES

- Used in AC filtering and Power factor correction
- Excellent Temperature behavior
- Self-healing
- Overpressure disconnecter design
- Aluminum case, filled with soft PU resin
- Δ or Y connection

OVERVIEW



PRODUCT



APPLICATIONS

- Solar
- Wind energy
- Power factor correction

CHARACTERISTICS

ITEM	CHARACTERISTICS
Reference Standard	GB/T 17702 (IEC 61071) , IEC60831
Climatic Category	40/70/56
Operating Temperature Range	-40 ~ +70°C (Θ _{hotspot} ≤ 85°C)
Storage Temperature Range	-40 ~ +85°C
Rated Voltage U _{RMS}	230 ~ 690 V _{AC}
Capacitance Range	3*20,3 ~ 3*335μF
Capacitance Tolerance	±5% (J), ±10% (K)
U _{TT} Voltage between Terminals	2,15 * U _N (V _{AC}), 10s (20°C)
U _{TC} Voltage between Terminals & Case	≥ 4.000V _{AC} , 10s (20°C, 50 Hz)
Dielectric Dissipation Factor δ ₀	≤ 0,0002
Insulation Resistance R _i °C	≥ 5.000 MΩ · μF (20°C, 100 V _{DC} , 1min)
Max. Overvoltage	1,1 * U _N (30% of on-load-duration) 1,15 * U _N (30 min/day) 1,2 * U _N (5 min/day) 1,3 * U _N (1 min/day) 1,5 * U _N (30ms every time, 100 ms/day)
Max. Torque of terminals	M5: 2Nm M6: 3Nm M8: 4Nm M10: 6Nm
Max. Torque Bolt	M12: 10Nm
Life Expectancy	100.000 hours (U _R , Θ _{hotspot} = 70°C)
Failure Rate	100 FIT

ENVIRONMENTAL

The products are RoHS, WEEE and REACH compliant.

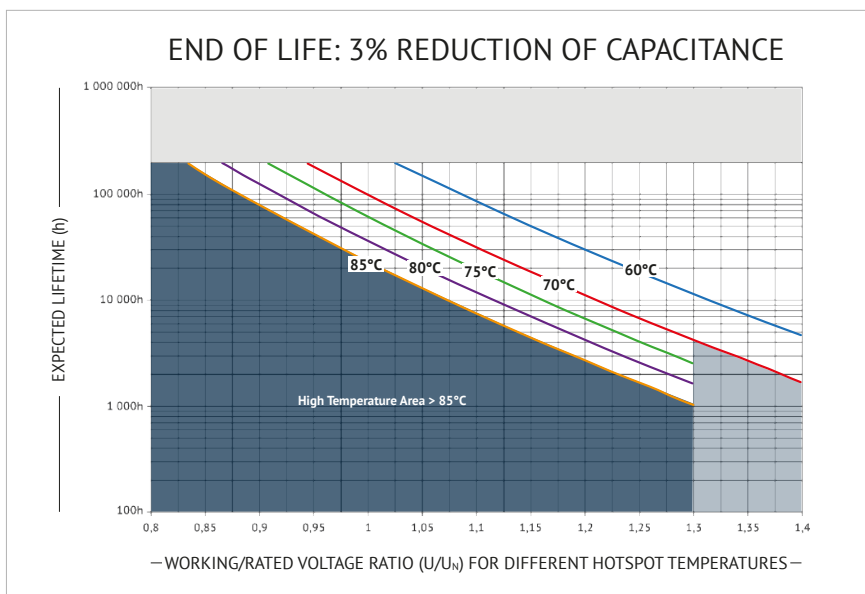
The detailed version please see separate "Environmental Certificates" document or www.jianghai-europe.com

APPROVALS

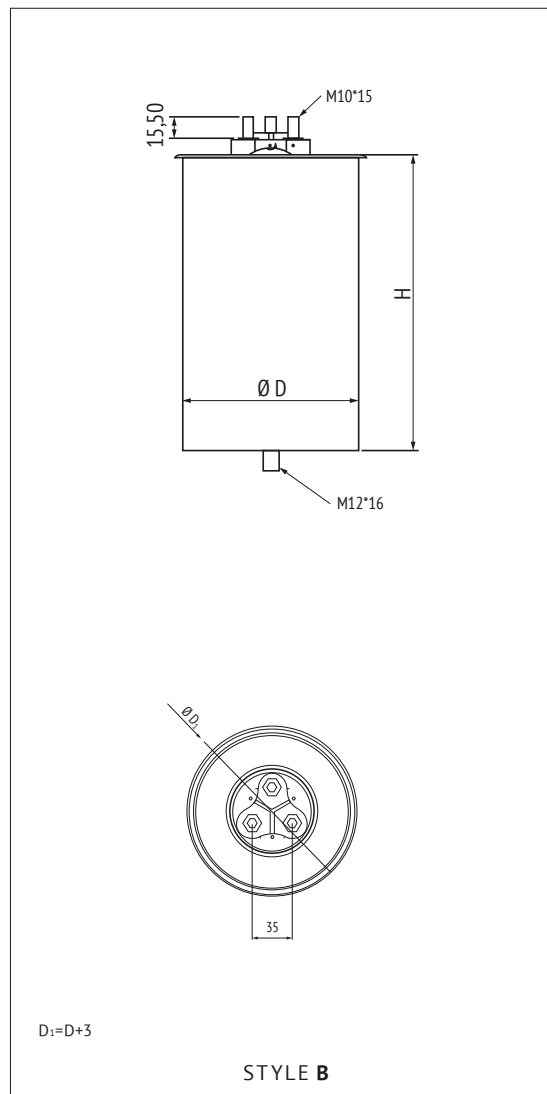
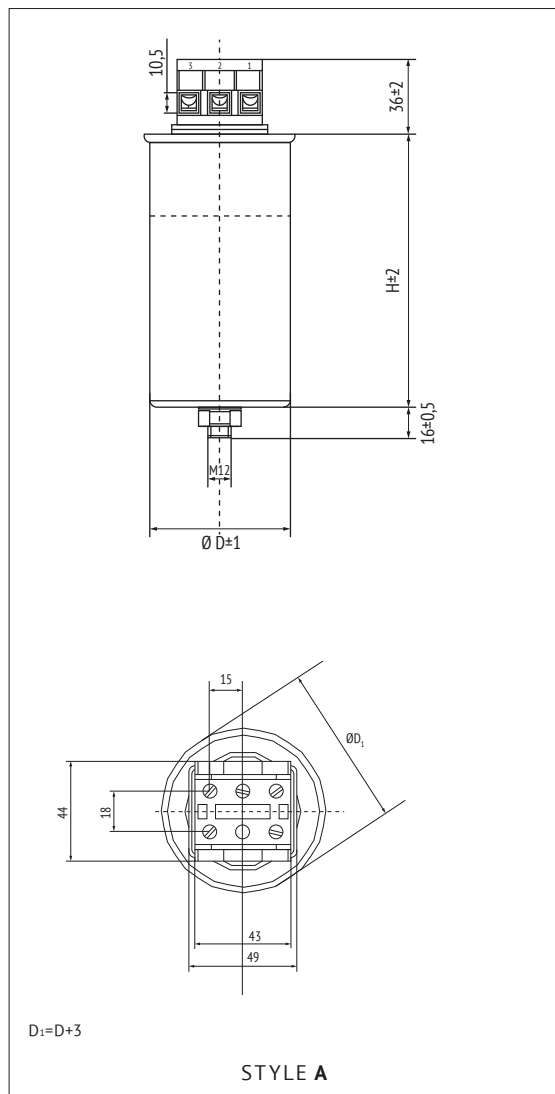
UL94-V0:
Plastic & Compound Mass

UL810:
CYWT2.E483921

LIFETIME



■ DIMENSIONS AND CAN STYLE



in mm

■ MARKING

	BRAND
CBB 235	SERIES DESIGNATION
3 x 110,7µF ±10% Δ	CAPACITANCE AND TOLERANCE
U_R = 400V_{AC} SH	U _R RATED VOLTAGE
U_{TC} = 4000V 50/60 HZ	U _{TC} VOLTAGE BETWEEN TERMINALS AND CASE, FREQUENCY
-40~+70°C IEC61071	TEMPERATURE RANGE, REFERENCE STANDARD
Discharge before handling	SAFETY WARNING
J32F36	DATE CODE

JIANGHAI EUROPE

Electronic Components GmbH



ENGINEERED SOLUTIONS

Customer specific adaptations needed? Please contact JIANGHAI Europe GmbH:
TELEFON: +49 (0) 2151 652088-0 | E-MAIL: INFO@JIANGHAI-EUROPE.COM

3/7
v2020.1

ORDER CODE

FC	C	4A	AT	757	K	L	265	5	A	1	A	E 3
Capacitor type	Product shape	AC rated voltage code (V)	Series code	Capacitance Code Examples (µF)	Capacitance tolerance	Diameter (mm)	Height (mm)	Terminal Style (mm)	Terminal Pitch (mm)	Stud Bolt Mounting	Can Style	For internal use
Film Cap. = FC	Cylindrical = C	230 2D 400 4A 440 4E 480 4J 530 5D 660 6G 690 6K	CBB 235 = AT CBB 235Y = AY	60 606 100 107 330 337 750 757 900 907 1000 108	±5% J ±10% K -15/+0% P	86 L 96 W 116 P 136 T	160 160 200 200 230 230 265 265 350 350	6 Pin: M5 6 6 Pin: M6 5 3 Pin: M6 1 3 Pin: M8 2 3 Pin: M10 4	15 A 35 B	bolt M12x16 flat, without bracket	1 0	Style A A Style B B

RATINGS

U_{AC}/U_N ≤70°C	C_0	dV/dt	P	I_{max}	$\hat{I}^{(1)}$	D	H	ORDER CODE	ORDER CODE
(V _{AC})	(µF)	(V/µs)	50Hz	50°C / 1kHz	(A)	±1,0	±2,0	CBB 235 AT	CBB 235Y AY
			(kVar)	(A)	(A)	(mm)	(mm)	Δ Connected	Y Connected
								"#" to be defined, see ordering code table	"#" to be defined, see ordering code table
230/325 2D	3 x 200,6	25	10,0	25,1	5021	86	275	FCC2DAT207#L275###E3	FCC2DAY207#L275###E3
	3 x 200,6	25	10,0	25,1	5021	116	160	FCC2DAT207#P160###E3	FCC2DAY207#P160###E3
	3 x 250,7	25	12,5	31,4	6276	86	350	FCC2DAT257#L350###E3	FCC2DAY257#L350###E3
	3 x 250,7	25	12,5	31,4	6276	116	200	FCC2DAT257#P200###E3	FCC2DAY257#P200###E3
	3 x 300,9	25	15,0	37,7	7531	86	350	FCC2DAT307#L350###E3	FCC2DAY307#L350###E3
	3 x 300,9	25	15,0	37,7	7531	116	200	FCC2DAT307#P200###E3	FCC2DAY307#P200###E3
	3 x 335,0	25	16,7	41,9	8384	116	230	FCC2DAT337#P230###E3	FCC2DAY337#P230###E3
400/560 4A	3 x 66,3	44	10,0	14,4	2887	86	200	FCC4AAT666#L200###E3	FCC4AAY666#L200###E3
	3 x 82,9	44	12,5	18,0	3609	86	200	FCC4AAT836#L200###E3	FCC4AAY836#L200###E3
	3 x 99,5	44	15,0	21,7	4330	86	275	FCC4AAT996#L275###E3	FCC4AAY996#L275###E3
	3 x 110,7	44	16,7	24,1	4821	86	275	FCC4AAT117#L275###E3	FCC4AAY117#L275###E3
	3 x 110,7	44	16,7	24,1	4821	116	160	FCC4AAT117#P160###E3	FCC4AAY117#P160###E3
	3 x 132,6	44	20,0	28,9	5774	86	275	FCC4AAT137#L275###E3	FCC4AAY137#L275###E3
	3 x 132,6	44	20,0	28,9	5774	116	200	FCC4AAT137#P200###E3	FCC4AAY137#P200###E3
	3 x 165,8	44	25,0	36,1	7217	86	275	FCC4AAT167#L275###E3	FCC4AAY167#L275###E3
	3 x 165,8	44	25,0	36,1	7217	116	200	FCC4AAT167#P200###E3	FCC4AAY167#P200###E3
	3 x 198,9	44	30,0	43,3	8661	136	200	FCC4AAT197#T200###E3	FCC4AAY197#T200###E3
440/625 4E	3 x 46	48	8,3	10,9	2178	86	160	FCC4EAT466#L160###E3	FCC4EAY466#L160###E3
	3 x 68,5	48	12,5	16,4	3280	86	200	FCC4EAT686#L200###E3	FCC4EAY686#L200###E3
	3 x 77,0	48	14,1	18,5	3700	86	200	FCC4EAT776#L200###E3	FCC4EAY776#L200###E3
	3 x 77,0	48	14,1	18,5	3700	116	160	FCC4EAT776#P160###E3	FCC4EAY776#P160###E3
	3 x 82,2	48	15,0	19,7	3937	86	200	FCC4EAT826#L200###E3	FCC4EAY826#L200###E3
	3 x 92,6	48	16,9	22,2	4435	116	200	FCC4EAT926#P200###E3	FCC4EAY926#P200###E3
	3 x 103,0	48	18,8	24,7	4934	86	275	FCC4EAT107#L275###E3	FCC4EAY107#L275###E3
	3 x 103,0	48	18,8	24,7	4934	116	160	FCC4EAT107#P160###E3	FCC4EAY107#P160###E3
	3 x 109,0	48	20,0	26,2	5249	86	275	FCC4EAT117#L275###E3	FCC4EAY117#L275###E3
	3 x 109,0	48	20,0	26,2	5249	116	160	FCC4EAT117#P160###E3	FCC4EAY117#P160###E3
	3 x 123,3	48	22,5	29,5	5905	86	275	FCC4EAT127#L275###E3	FCC4EAY127#L275###E3
	3 x 123,3	48	22,5	29,5	5905	116	200	FCC4EAT127#P200###E3	FCC4EAY127#P200###E3
	3 x 137,0	48	25,0	32,8	6561	86	275	FCC4EAT137#L275###E3	FCC4EAY137#L275###E3
	3 x 137,0	48	25,0	32,8	6561	116	200	FCC4EAT137#P200###E3	FCC4EAY137#P200###E3
	3 x 154,0	48	28,1	36,9	7375	86	275	FCC4EAT157#L275###E3	FCC4EAY157#L275###E3
	3 x 154,0	48	28,1	36,9	7375	116	200	FCC4EAT157#P200###E3	FCC4EAY157#P200###E3
	3 x 164,4	48	30,0	39,4	7873	86	350	FCC4EAT167#L350###E3	FCC4EAY167#L350###E3
3 x 164,4	48	30,0	39,4	7873	116	200	FCC4EAT167#P200###E3	FCC4EAY167#P200###E3	
3 x 180,9	48	33,0	43,3	8661	136	200	FCC4EAT187#T200###E3	FCC4EAY187#T200###E3	
480/680 4J	3 x 40	52	8,7	10,5	2093	86	200	FCC4JAT406#L200###E3	FCC4JAY406#L200###E3
	3 x 60	52	13,0	15,6	3127	86	275	FCC4JAT606#L275###E3	FCC4JAY606#L275###E3
	3 x 80	52	17,4	20,9	4186	116	200	FCC4JAT806#P200###E3	FCC4JAY806#P200###E3
	3 x 120	52	26,0	31,3	6255	116	275	FCC4JAT127#P275###E3	FCC4JAY127#P275###E3
530/750 5D	3 x 38,5	57	10,0	11,0	2199	86	200	FCC5DAT386#L200###E3	FCC5DAY386#L200###E3
	3 x 48,1	57	12,5	13,7	2749	86	200	FCC5DAT486#L200###E3	FCC5DAY486#L200###E3
	3 x 53,1	57	13,8	15,2	3035	86	200	FCC5DAT536#L200###E3	FCC5DAY536#L200###E3
	3 x 57,7	57	15,0	16,5	3299	86	230	FCC5DAT576#L230###E3	FCC5DAY576#L230###E3
	3 x 77,0	57	20,0	22,0	4399	86	275	FCC5DAT776#L275###E3	FCC5DAY776#L275###E3

(1) Maximum permissible peak current

>>

JIANGHAI EUROPE

Electronic Components GmbH



ENGINEERED SOLUTIONS

Customer specific adaptations needed? Please contact JIANGHAI Europe GmbH:
TELEFON: +49 (0) 2151 652088-0 | E-MAIL: INFO@JIANGHAI-EUROPE.COM

4/7
v2020.1

U _{max} /U _n ≤70°C (V _{ac})	C _R (μF)	dV/dt (V/μs)	P 50Hz (kVar)	I _{max} 50°C / 1kHz (A)	I ⁽¹⁾ (A)	D ±1,0 (mm)	H ±2,0 (mm)	ORDER CODE CBB 235 AT Δ Connected *# to be defined, see ordering code table	ORDER CODE CBB 235AY Y Connected *# to be defined, see ordering code table
	530/750 5D	3 x 77,0	57	20,0	22,0	4399	116	200	FCC5DAT776#P200###E3
3 x 96,2		57	25,0	27,5	5499	86	350	FCC5DAT966#L350###E3	FCC5DAY966#L350###E3
3 x 96,2		57	25,0	27,5	5499	116	200	FCC5DAT966#P200###E3	FCC5DAY966#P200###E3
3 x 115,4		57	30,0	33,0	6598	116	230	FCC5DAT117#P230###E3	FCC5DAY117#P230###E3
3 x 115,4		57	30,0	33,0	6598	136	200	FCC5DAT117#T200###E3	FCC5DAY117#T200###E3
3 x 138,2		57	35,9	39,5	7896	116	275	FCC5DAT137#P275###E3	FCC5DAY137#P275###E3
3 x 138,2		57	35,9	39,5	7896	136	230	FCC5DAT137#T230###E3	FCC5DAY137#T230###E3
3 x 142,8		57	37,1	40,8	8160	116	275	FCC5DAT147#P275###E3	FCC5DAY147#P275###E3
3 x 142,8	57	37,1	40,8	8160	136	230	FCC5DAT147#T230###E3	FCC5DAY147#T230###E3	
660/930 6G	3 x 20,3	72	8,3	7,3	1457	86	200	FCC6GAT206#L200###E3	FCC6GAY206#L200###E3
	3 x 24,4	72	10,0	8,7	1750	86	200	FCC6GAT246#L200###E3	FCC6GAY246#L200###E3
	3 x 30,4	72	12,5	10,9	2187	86	230	FCC6GAT306#L230###E3	FCC6GAY306#L230###E3
	3 x 36,5	72	15,0	13,1	2624	96	230	FCC6GAT366#W230###E3	FCC6GAY366#W230###E3
	3 x 40,7	72	16,7	14,6	2922	96	230	FCC6GAT406#W230###E3	FCC6GAY406#W230###E3
	3 x 48,7	72	20,0	17,5	3499	86	350	FCC6GAT486#L350###E3	FCC6GAY486#L350###E3
	3 x 55,8	72	22,9	20,0	4007	86	350	FCC6GAT556#L350###E3	FCC6GAY556#L350###E3
690/980 6K	3 x 27,9	75	12,5	10,5	2092	86	230	FCC6KAT276#L230###E3	FCC6KAY276#L230###E3
	3 x 33,4	75	15,0	12,6	2510	96	230	FCC6KAT336#W230###E3	FCC6KAY336#W230###E3
	3 x 44,6	75	20,0	16,7	3347	86	350	FCC6KAT446#L350###E3	FCC6KAY446#L350###E3
	3 x 55,7	75	25,0	20,9	4184	86	350	FCC6KAT556#L350###E3	FCC6KAY556#L350###E3

(1) Maximum permissible peak current



Per visualizzare il catalogo completo siete invitati ad [effettuare il login sul sito](#) oppure ad [effettuare la registrazione gratuita](#).