



**CAPACITOR  
COMPETENCE**  
*since 1958*

ALUMINUM ELECTROLYTIC CAPACITORS

---

ALUMINUM ELECTROLYTIC CAPACITORS · SCREW TYPE

# CD 13H BH SERIES

---

**JIANGHAI EUROPE**  
Electronic Components GmbH

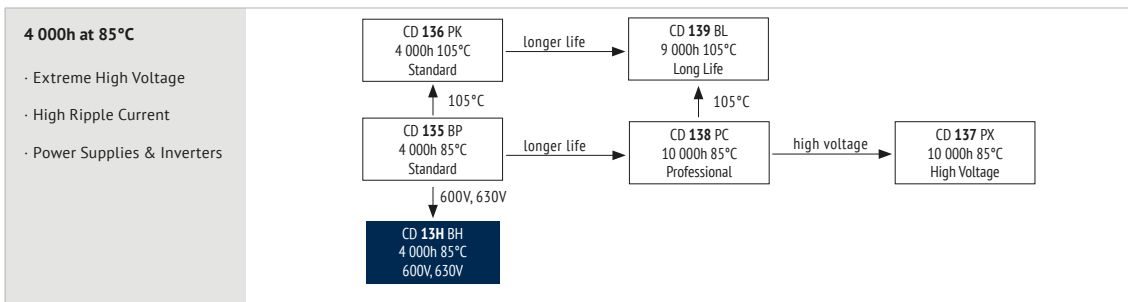


ENGINEERED SOLUTIONS

v2019.1

# CD 13H BH SERIES

## ALUMINUM ELECTROLYTIC CAPACITORS · SCREW TYPE



### ITEM CHARACTERISTICS

Operating Temperature Range (°C)	-40 ~ +85	The usage at lower temperatures than indicated may be possible. Please contact the Jianghai Europe sales office for approval.
Voltage Range (V)	600, 630	
Capacitance Range (µF)	1 000 ~ 5 600	
Capacitance Tolerance (20°C, 120Hz)	± 20%	
Leakage Current	After 5 minutes at 20°C application of rated voltage, leakage current is not more than specified in table.	
Stability at Low Temperature (Capacitance Ratio at 120Hz)	$C_{-25°C} / C_{+20°C} \geq 0,7$ $C_{-40°C} / C_{+20°C} \geq 0,6$	
Fast Charge-Discharge	Please contact Jianghai for an appropriate choice of the capacitor or possible technical adaptations, esp. for applications like: Welding, Photoflash, Servo motors, X-Ray	

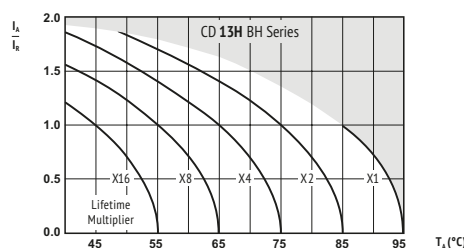
ITEM	USEFUL LIFE		LOAD LIFE	ENDURANCE TEST	SHELF LIFE	
Lifetime	4 000h	> 65 000h	2 000h	2 000h	500h	
Leakage Current	Not more than specified value		Not more than specified value	Not more than specified value	Not more than specified value	
Capacitance Change	Within ± 30% of initial value		Within ± 20% of initial value	Within ± 10% of initial value	Within ± 20% of initial value	
Dissipation Factor	Not more than 300% of specified value		Not more than 200% of specified value	Not more than 130% of specified value	Not more than 200% of specified value	
Condition:						
Applied Voltage	$U_R$	$U_R$	$U_R$	$U_R$	$U_R = 0$	After test: $U_R$ to be applied for 30 min > 24h before measurement
Applied Current	$I_R$	$1,2 \times I_R$	$I_R$	$I_R = 0$	$I_R = 0$	
Applied Temperature	85°C	40°C	85°C	85°C IEC 60384	85°C	
Terminal and Construction	The terminal version has an impact on the current capability and mechanical behavior (vibration). For high current applications the terminals C,D and E are preferred, see page 141.					
Optional	Longer Lifetimes available on request (Series CD 13P HP)					

### MULTIPLIER FOR RIPPLE CURRENT (FREQUENCY COEFFICIENT)

Frequency	50Hz	120Hz	300Hz	1kHz	> 10 kHz
Coefficient	0,80	1,00	1,10	1,30	1,40

Multipliers for typical operating conditions.

### MULTIPLIER FOR LIFETIME (LIFETIME DIAGRAM)



$I_A$  = actual ripple current at 120Hz,  
 $I_R$  = rated ripple current at 120Hz, 85°C  
 Multiplier of Useful Life as a function of ambient temperature & ripple current load

### ENVIRONMENTAL

The products are RoHS, WEEE and REACH compliant. The detailed version please see separate "Environmental Certificates" document or [www.jianghai-europe.com](http://www.jianghai-europe.com)

### SAFETY FACTOR

This diagram includes a safety margin. In many cases the allowed current capability/lifetime may be increased. For details and approvals please contact the Jianghai Europe sales office.

## JIANGHAI EUROPE

Electronic Components GmbH



ENGINEERED SOLUTIONS

Customer specific adaptations needed? Please contact Jianghai Europe GmbH:  
 TELEFON: +49 (0) 2151 652088-72 | E-MAIL: [INFO@JIANGHAI-EUROPE.COM](mailto:INFO@JIANGHAI-EUROPE.COM)

2/11  
v2019.1

# CD 13H BH SERIES

## ALUMINUM ELECTROLYTIC CAPACITORS · SCREW TYPE

U <sub>RDC</sub> (Surge Voltage) Code	C <sub>R</sub> Rated Capacitance	ESR <sub>max</sub> Equivalent Series Resistance 20°C 120Hz	ESR <sub>typ</sub> Equivalent Series Resistance 20°C 120Hz	tanδ Dissipation Factor 20°C 120Hz	I <sub>Leak</sub> Leakage Current	I <sub>RAC</sub> Rated Ripple Current 85°C 120Hz	Size øD x L	ORDER CODE ◇ = mounting style (stud) △△△△ = terminal style Details: Page 4
(V)	(µF)	(mΩ)	(mΩ)		(mA)	(Arms)	(mm)	
<b>600</b> (650) 25	1200	242	121	0,25	5,0	7,7	64 x 96	ECG2SBH122M◇D096△△△△
	1500	224	112	0,25	5,0	9,3	64 x 115	ECG2SBH152M◇D115△△△△
	1800	194	97	0,25	5,0	10,1	77 x 96	ECG2SBH182M◇E096△△△△
	2200	162	81	0,25	5,0	12,0	77 x 115	ECG2SBH222M◇E115△△△△
	2700	132	66	0,25	5,0	14,0	77 x 130	ECG2SBH272M◇E130△△△△
	3300	88	44	0,25	5,0	16,4	77 x 155	ECG2SBH332M◇E155△△△△
		88	44	0,25	5,0	16,4	90 x 131	ECG2SBH332M◇F131△△△△
	3900	74	37	0,25	5,0	17,8	90 x 131	ECG2SBH392M◇F131△△△△
	4700	62	31	0,25	5,0	21,0	90 x 157	ECG2SBH472M◇F157△△△△
	5600	56	28	0,25	5,0	24,5	90 x 196	ECG2SBH562M◇F196△△△△
<b>630</b> (680) J2	1000	300	150	0,30	5,0	6,0	64 x 130	ECGJ2BH102M◇D130△△△△
	1200	266	133	0,30	5,0	6,7	77 x 115	ECGJ2BH122M◇E115△△△△
	1500	212	106	0,30	5,0	8,1	77 x 130	ECGJ2BH152M◇E130△△△△
	1800	176	88	0,30	5,0	9,8	77 x 155	ECGJ2BH182M◇E155△△△△
	2200	144	72	0,30	5,0	10,7	90 x 131	ECGJ2BH222M◇F131△△△△
	2700	128	64	0,30	5,0	12,8	90 x 157	ECGJ2BH272M◇F157△△△△
	3300	106	53	0,30	5,0	14,7	90 x 171	ECGJ2BH332M◇F171△△△△
	3900	94	47	0,30	5,0	17,9	90 x 196	ECGJ2BH392M◇F196△△△△
	4700	78	39	0,30	5,0	21,6	90 x 196	ECGJ2BH472M◇F196△△△△
	5600	70	35	0,30	5,0	24,9	101 x 220	ECGJ2BH562M◇G220△△△△

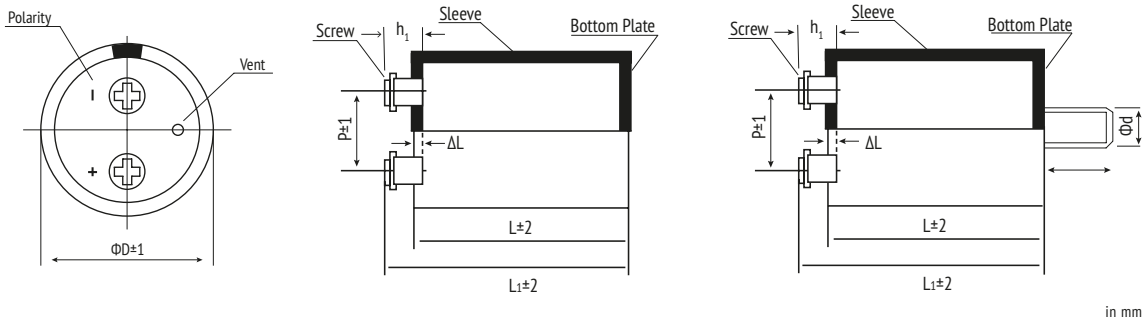


### ORDER CODE SCREW TYPE

EC	G	2G	BP	102	M	B	E	160	A771	-	JExxxx						
Techno-logy	Terminal Type	Rated Voltage Code	Series Code	Capacitance Code	Capacitance Tolerance	Mounting	Diameter	Length	For Terminal Code see tables on the right	Material Code	for Specials only						
EC Electrolytic Capacitor	Screw G	10	1A	CD 135	BP	100	101	±20%	M	Bolt	B	36	A	53	053	-	-
		16	1C	CD 136	PK	1 000	102	±10%	K	Flat bottom, no bracket, single sleeve	N	40	B	65	065	PVC	V
		25	1E	CD 137	PX	10 000	103	+30/-10%	Q	Flat bottom, no bracket, full double sleeve	D	51	C	96	096	PET	E
		35	1V	CD 137S	PR			+20/-0%	R	Flat bottom incl. 2 stoppers bracket	I	64	D	100	100	Polyolefin	O
		40	1G	CD 138	PC			+20/-10%	V	Flat bottom incl. 3 stoppers bracket	Y	77	E	115	115	Standard: PVC Sleeve	
		50	1H	CD 138S	WP			+50/-10%	T	Details of Slewing see table on the right		90	F	236	236		
		63	1J	CD 139	BL			= preferred				101	G				
		80	1K	CD 139S	HC												
		100	2A	CD 13H	BH												
		200	2D	CD 838	ZT												
		250	2E														
		350	2V														
		400	2G														
		420	2X														
		450	2W														
		500	2H														
		550	2Y														
		575	2Z														
		600	J2														



### TECHNICAL SPECIFICATION



in mm

### LENGTH

$L_1 = L + h_1 - \Delta L$
$L_1$ = Total Capacitor Length
$L$ = Capacitor Case Length (see Capacitor Table)
$h_1$ = Terminal Length (see Terminal Code)
$\Delta L$ = Housing Correction (see Case & Mounting Style)

### TERMINAL CODE

Terminal Code	ØD	Screw	Pitch P	d <sub>1</sub>	d <sub>2</sub>	h <sub>1</sub>	h <sub>2</sub>
A361	36	M5	12,7	8	11	6,8	1,8
A511	51	M5	21,8	10	13,0	6,8	1,8
D511	51	M5	21,8	10	13	5,5	0
A512	51	M5	21,8	10	13	7,14	0
A641	64	M5	28,2	10	15,5	7,3	2,3
C641	64	M5	28,5	13	0	7,2	0
C642	64	M6	28,6	13	0	5,5	0
D641	64	M5	28,2	13	15	6,4	0
D642	64	M6	28,2	13	15	6,4	0
E641/E642	64	M5	28,2	10	15,5	6,3	1,3
A771	77	M5	31,4	10	15,5	6,3	1,3
A772	77	M6	31,4	10	15,5	6,3	1,3
B771	77	M6	31,4	17,2	0	3,17	0
B772	77	M6	31,4	17,2	0	6,4	0
B774/B776	77	M5	31,4	17,2	0	6,4	0
C771	77	M5	31,4	17,2	0	3,5	0
C772	77	M6	31,4	17,2	0	3,5	0
C774	77	M5	31,4	17,2	0	6,4	0
C775	77	M6	31,4	17,2	0	6,4	0
C779	77	M6	31,4	13	0	5,5	0
D771	77	M5	31,4	13	15	6,4	0
E772	77	M5	31,4	10	15,5	6,3	1,3
E774	77	M5	31,4	13	17,5	5,5	3,5
F771	77	M6	31,4	13	15	6,4	0
F772	77	M5	31,4	13	15	6,4	0
A901	90	M5	31,4	10	15,5	6,3	1,3
B901	90	M6	31,4	17,2	0	6,4	0
B902	90	M5	31,4	17,2	0	6,4	0
C901/C905	90	M5	31,4	17,2	0	6,4	0
C902	90	M6	31,4	17,2	0	6,4	0
C904	90	M8	31,4	17,2	0	6,4	0
D902	90	M5	31,4	13	15	6,4	0
D903	90	M6	31,4	13	15	6,4	0
E901	90	M6	31,4	15	20	8,6	2,4
E902	90	M5	31,4	10	15,5	6,3	1,3
F901	90	M6	31,4	13	15	6,4	0
A101	101	M8	41,5	17,2	21,5	11	6

■ = preferred

Other forms on request, especially non-symmetrical layout, watercooling or laser welded terminals. Terminal A101 = A991

Terminal A, B and F include a potting mass filling, Terminal C, D and E use a middle pin fixation without glue.

Extended Cathode designs only available with Terminal C, D and E.

Some series of the catalogue might only be available with Terminal C, D and E.

### CASE & MOUNTING STYLE

Order Code	Mounting Style	Sleeving Style (typical design)	Housing Correction ΔL (in mm)
B	Bolt	Single Sleeve	0,8
N	Flat bottom, no bracket	Single Sleeve	0,8
D	Flat bottom, no bracket	Full length Double Sleeve	0,4
I	I-Type Bracket	Diameter 36: Single Sleeve	0,8
		Diameter 51-101: Ur < 350V: ½ length Double Sleeve Ur ≥ 350V: full length Double Sleeve Other Sleeve Versions on request	0,6 0,4
Y	Y-Type Bracket	Ur < 350V: ½ length Double Sleeve Ur ≥ 350V: full length Double Sleeve Other Sleeve Versions on request	0,6 0,4

Bolt:	Ø D	Ø d	l (mm)	Max. Torque (Nm)
	Ø 36	M8	12	4
	≥ Ø 51	M12	16	12,5

### SCREW TERMINAL (Hexagon Head)

Dimension	Min. Thread Depth (mm)	Max. Torque (Nm)	Max. Ripple Current (A)
M5 x 10	8,5	3	60
M6 x 12	8,5	4	100
M8 x 16	8,5	6	100

### CAPACITOR POSITION

Screw capacitors need to be mounted into an upright position.  
 ⚠ If a horizontal position is needed please ensure the safety vent is located on the highest position (12 o'clock).



**Per visualizzare il catalogo completo siete invitati ad [effettuare il login sul sito](#) oppure ad [effettuare la registrazione gratuita](#).**