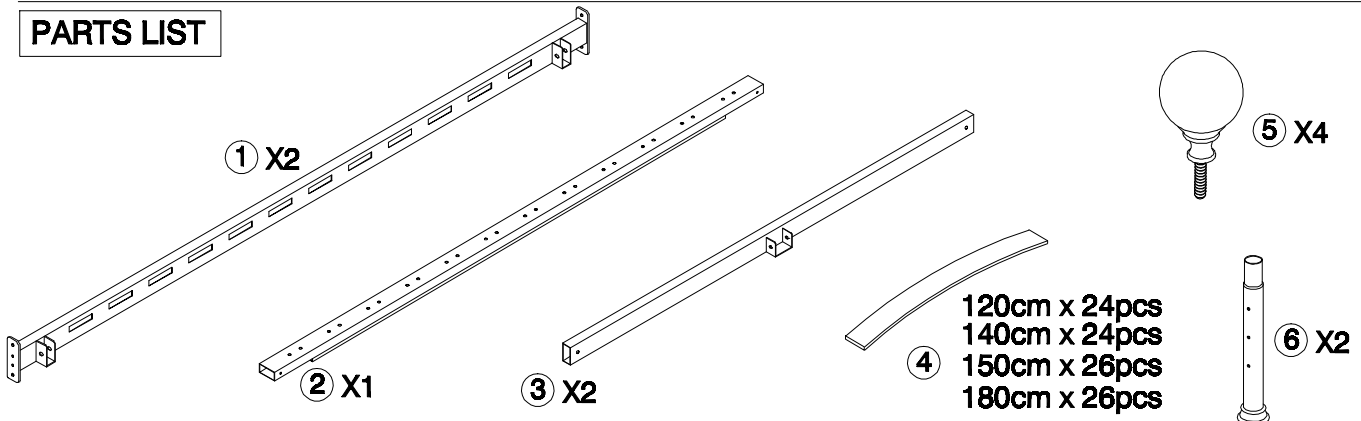
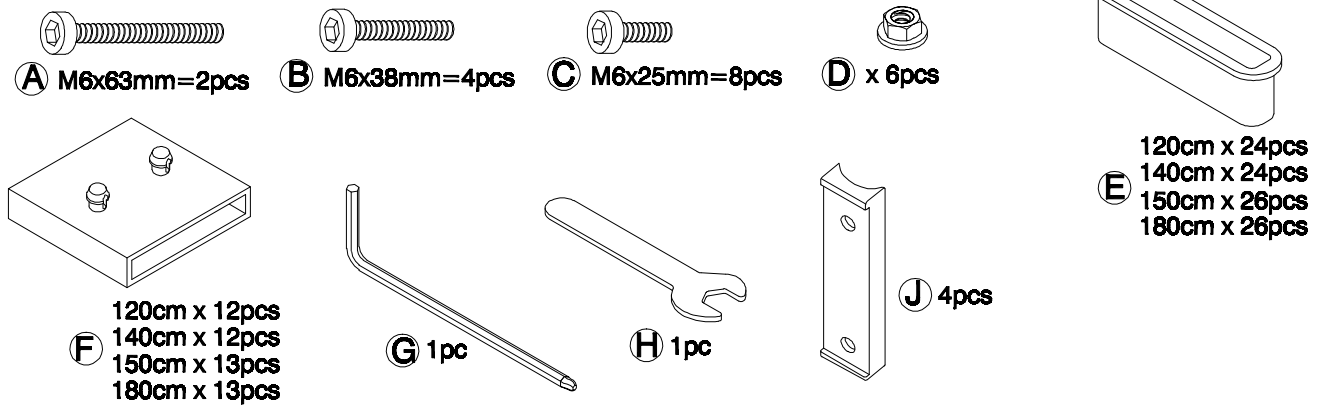




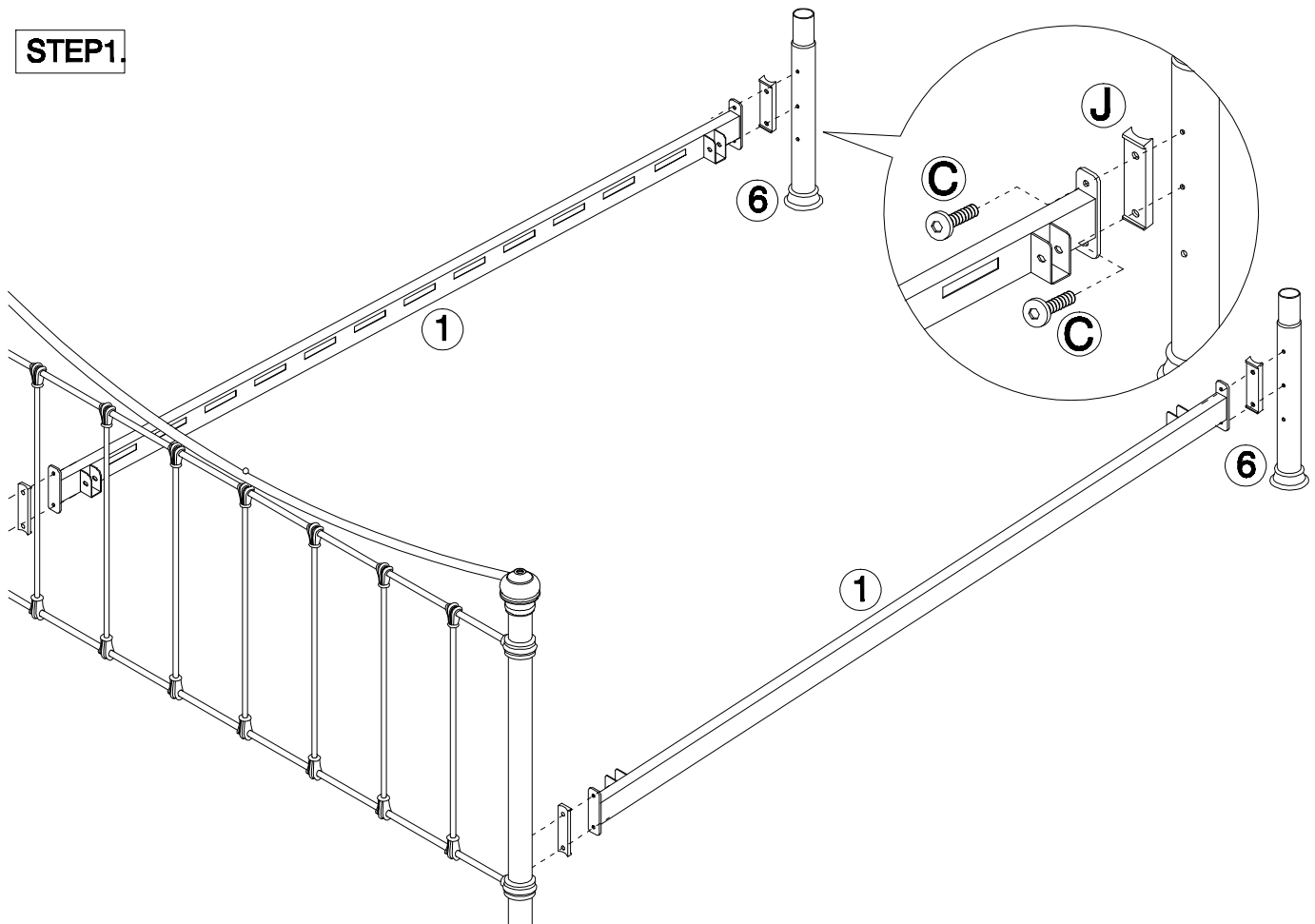
## PARTS LIST



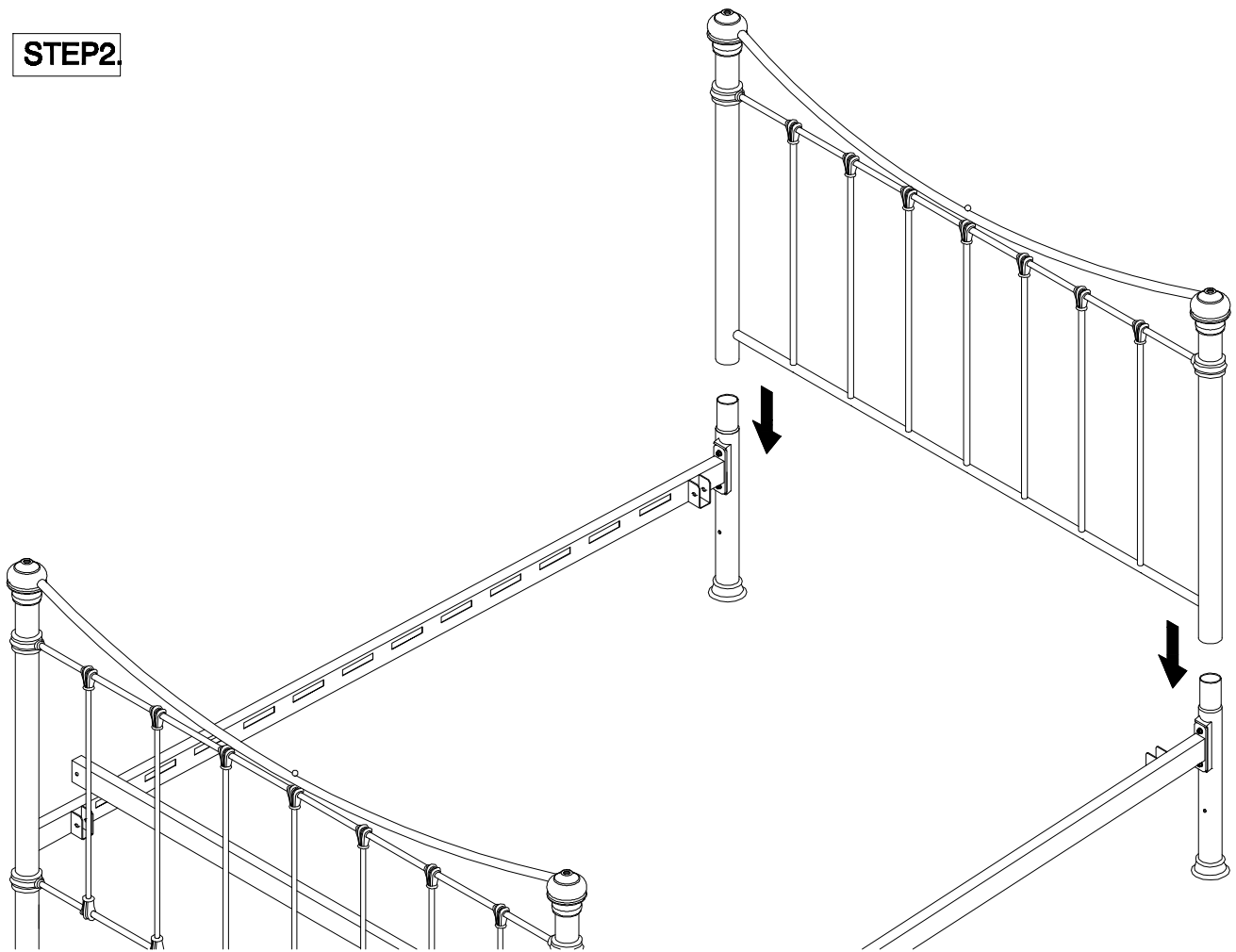
## HARDWARE LIST



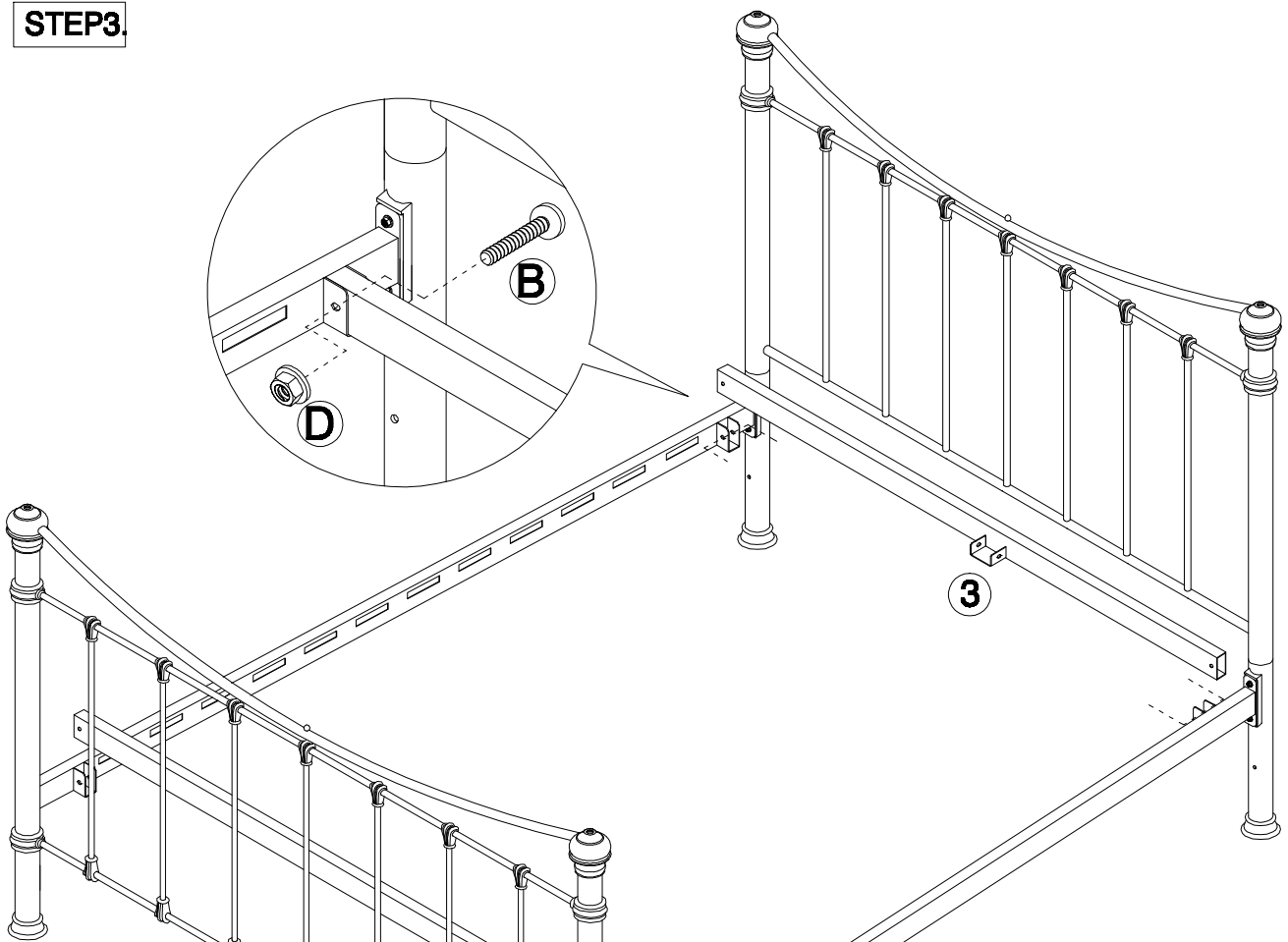
## STEP 1.



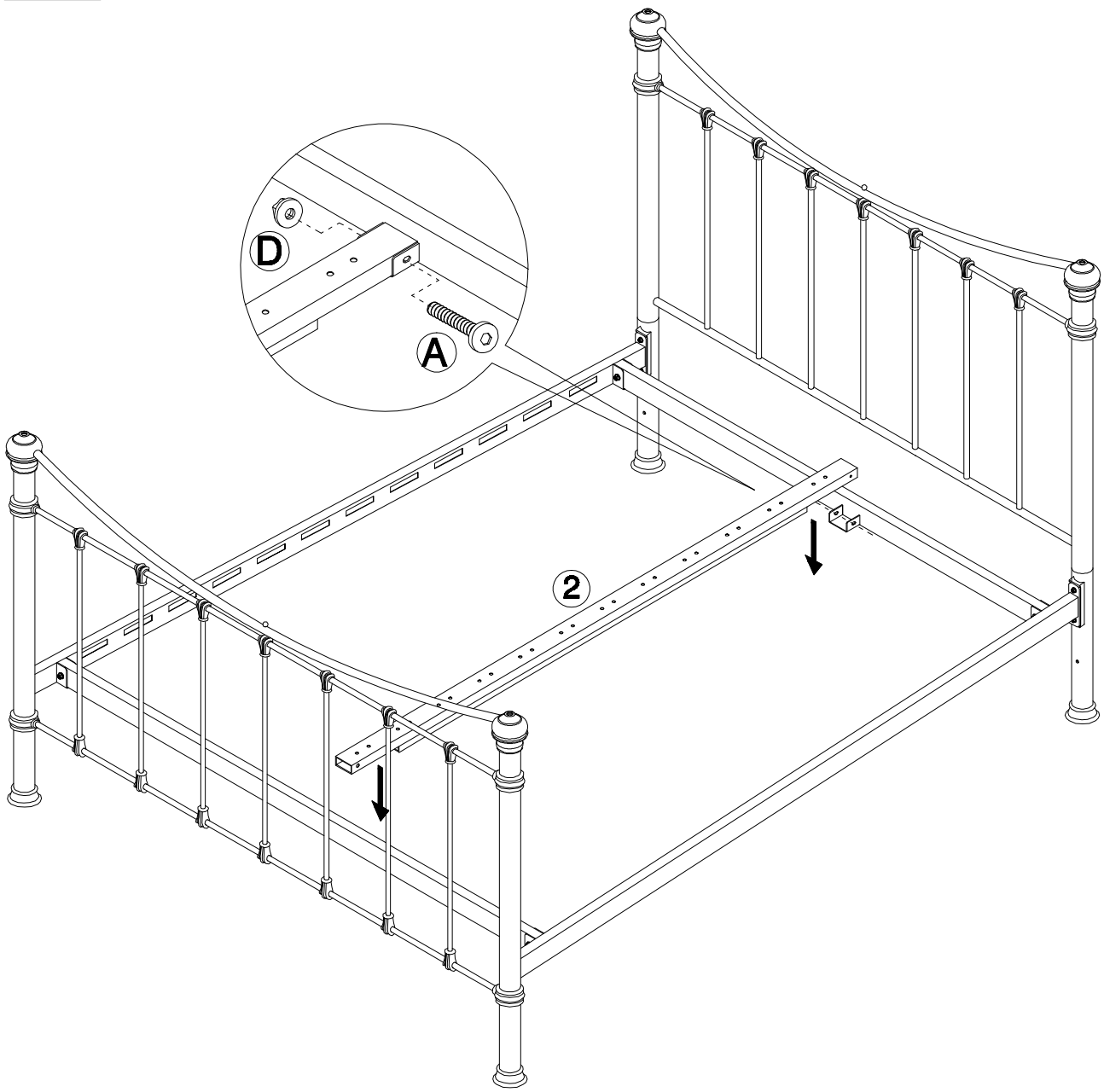
**STEP 2.**



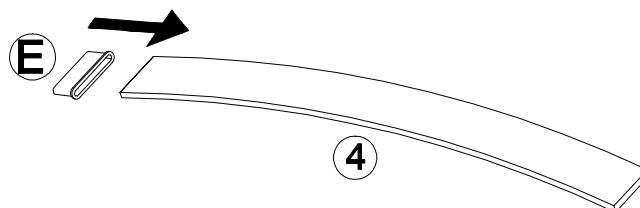
**STEP 3.**



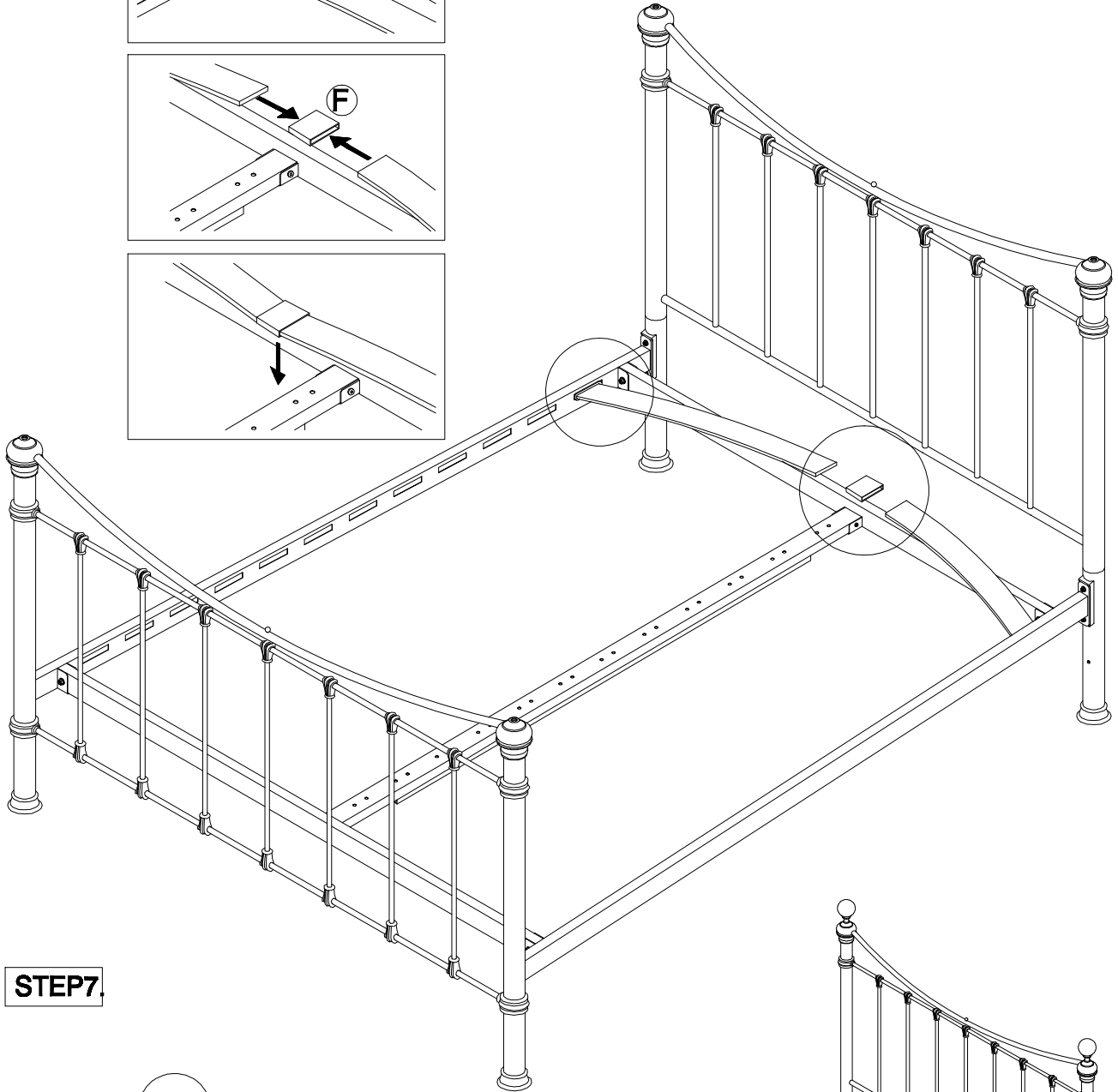
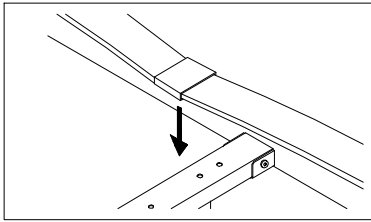
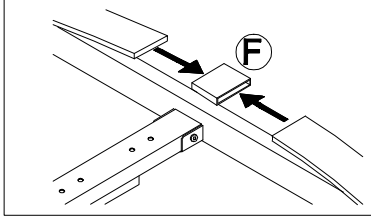
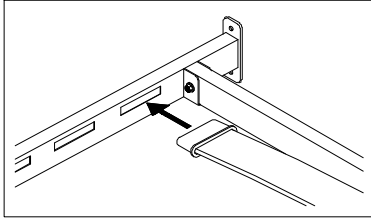
**STEP 4.**



**STEP 5.**



**STEP 6.**



**STEP 7.**

