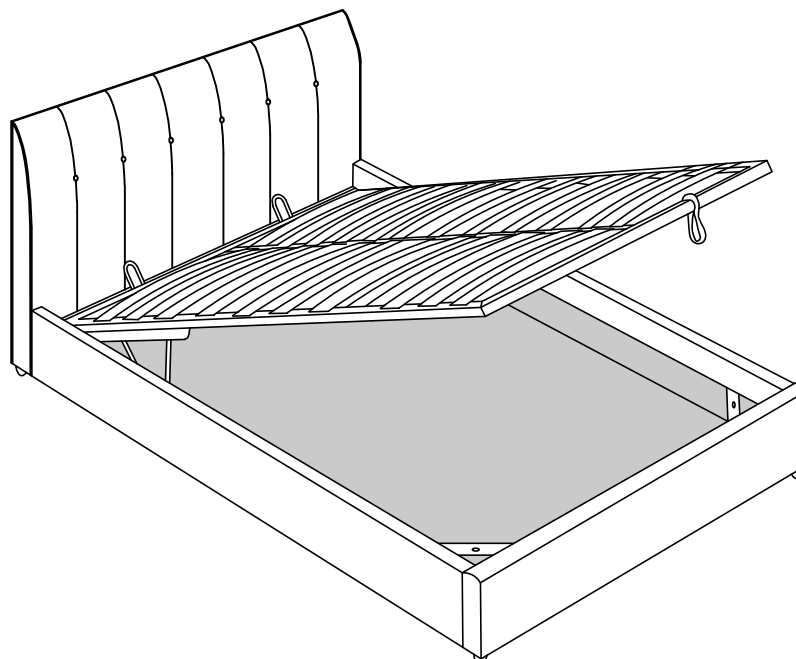


**PLEASE ENSURE THE MATTRESS IS IN
PLACE BEFORE USING THIS MECHANISM**

CARMEL OTTOMAN BED 5FT



IMPORTANT

PLEASE READ BEFORE YOU CONTINUE FURTHER

THE PRODUCT YOU HAVE PURCHASED WILL GIVE YOU MANY YEARS OF SERVICE IF YOU FOLLOW THE GUIDELINES FOR ITS SAFE ASSEMBLY AND PERIODIC MAINTENANCE AND CLEANING.

DO NOT USE ANY TOOLS OTHER THAN THOSE SHOWN,

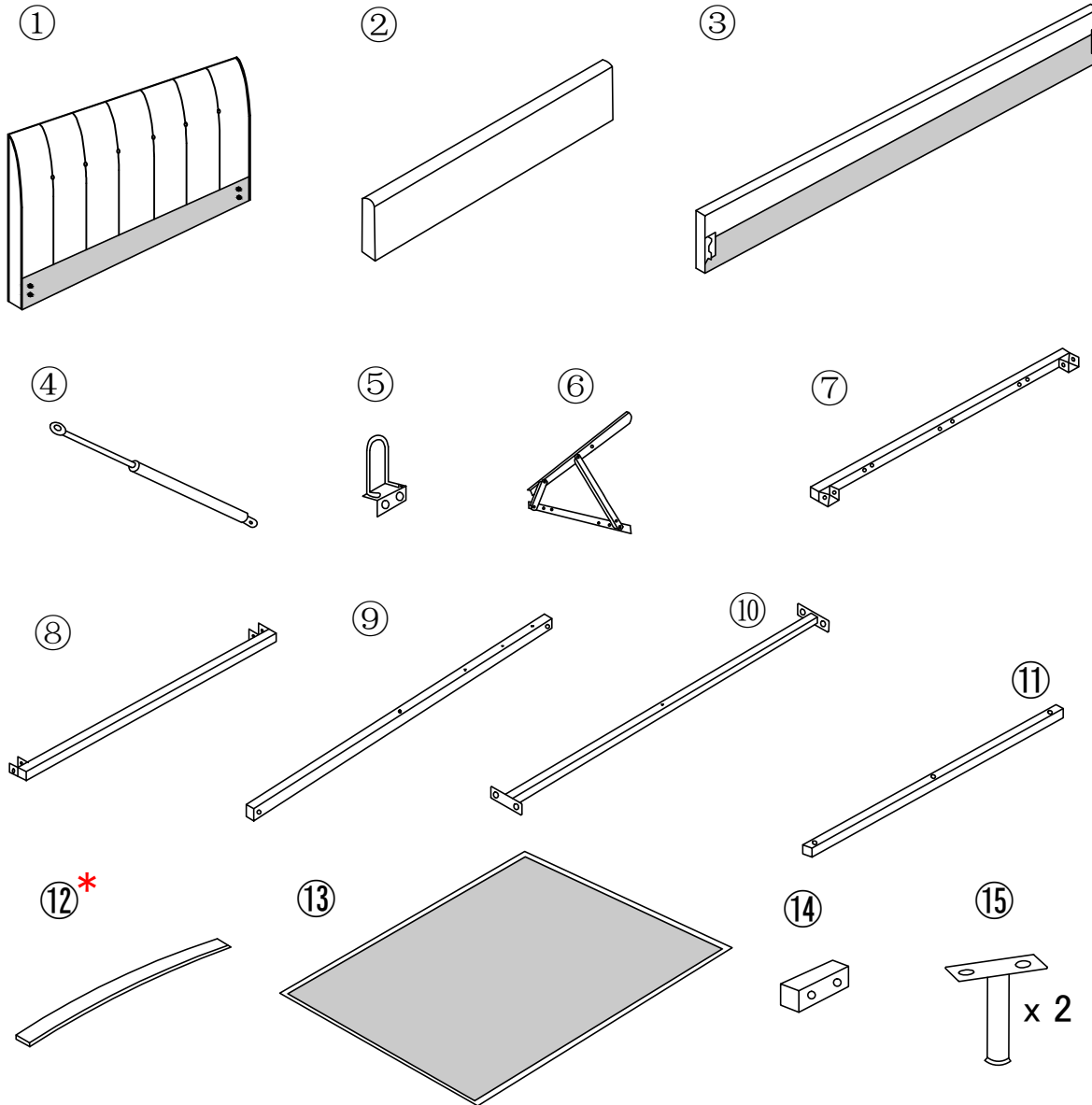
ANY SPANNERS OR ALLEN KEYS REQUIRED ARE INCLUDED WITH THE FITTINGS KIT.

DO NOT FOR ANY REASON USE A POWER TOOL TO ASSEMBLE THIS PRODUCT. ITS USE WILL INVALIDATE ANY CLAIM YOU MAY HAVE AND COULD MAKE THIS PRODUCT UNSAFE.

DEPENDING ON THE AMOUNT OF USE THIS PRODUCT RECEIVES IT MAY BE NECESSARY TO TIGHTEN UP THE FIXINGS FROM TIME TO TIME. THIS IS COMPLETELY NORMAL FOR ANY FLAT PACK FURNITURE.

FOR CLEANING YOU MAY USE A DAMP CLOTH (NOT WET)

PART LISTS



ITEMS MARKED WITH * ARE STORED WITHIN THE HEADBOARD FOR TRANSPORTATION, SEE STEP 1

BOX 1

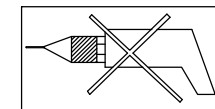
1	Headboard	1 PC
12	Wooden Slat	28 PCS
13	Velcro Base Sheet	1 PC

BOX 2

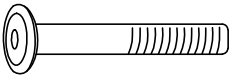
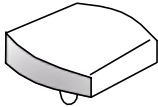
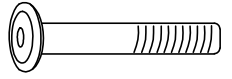
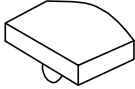
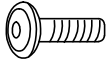

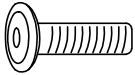

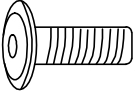
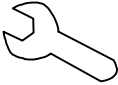


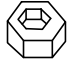
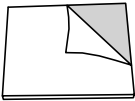
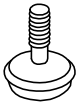

2	Footboard	1 PC
3	Siderail (Left&Right)	2 PCS
4	Cylinder	2 PCS
5	Mattress Support	2 PCS
6	Gas Lift	2 PCS
7	Base Front Bar	1 PC
8	Base Back Bar	1 PC
9	Base Side Bar	1 PC
10	Base Centre Bar	1 PC
11	Across Bar	1 PC
14	Base Support Bar	1 PC
15	Center Leg Support	2 PCS

PLEASE CHECK THAT YOU HAVE ALL THE PARTS LISTED BEFORE YOU START ASSEMBLING. IF YOU DO FIND THAT SOMETHING IS MISSING, DO NOT CONTINUE ASSEMBLY. PLEASE CONTACT YOUR SUPPLIER IMMEDIATELY.

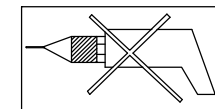
USE OF POWER TOOLS TO ASSEMBLE THIS PRODUCT WILL INVALIDATE ANY CLAIM AND DAMAGE THIS PRODUCT MAKING IT UNSAFE.



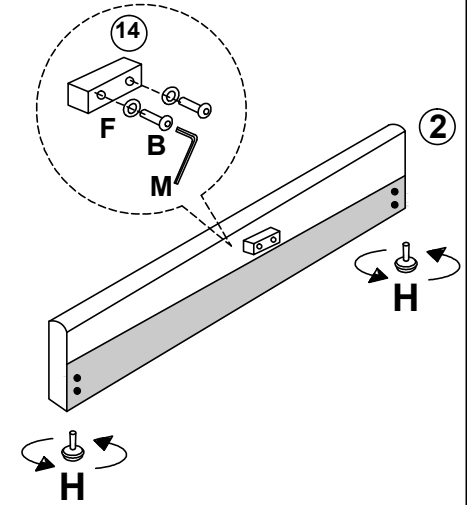
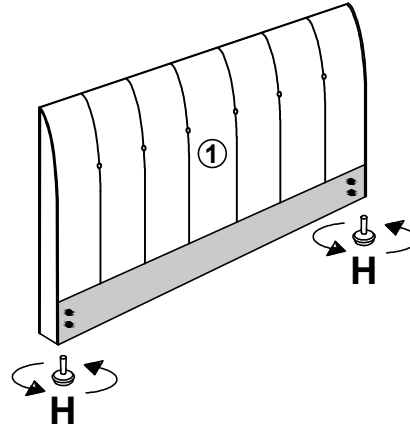
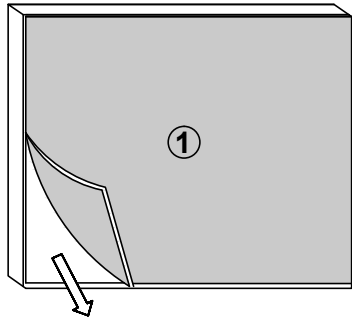
HARDWARE LISTS (LOCATED WITHIN BOX 2)

A		5/16 x 60mm Bolt	3 pcs	J		Plastic Centre Cap	14 pcs
B		5/16 x 45mm Bolt	10 pcs	K		Plastic End Cap	28 pcs
C		1/4 x 15mm Bolt	16 pcs	L		M6 Allen Key	1 pc
D		1/4 x 20mm Bolt	14 pcs	M		M8 Allen Key	1 pc
E		5/16 x 25mm Bolt	8 pcs	N		Spanner	1 pc
F		M8 Washer	28 pcs	O		Corner Bracket	2 pcs
G		Zinc Nut	15 pcs	P		100 x 25mm EVA Pad	4 pcs
H		Adjustable Feet	4 pcs	<p>PLEASE CHECK THAT YOU HAVE ALL THE PARTS LISTED BEFORE YOU START ASSEMBLING. IF YOU DO FIND THAT SOMETHING IS MISSING, DO NOT CONTINUE ASSEMBLY. PLEASE CONTACT YOUR SUPPLIER IMMEDIATELY.</p>			
I		Base Lift Strap	1 pc				

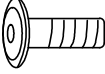
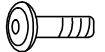
USE OF POWER TOOLS TO ASSEMBLE THIS PRODUCT WILL INVALIDATE ANY CLAIM AND DAMAGE THIS PRODUCT MAKING IT UNSAFE.

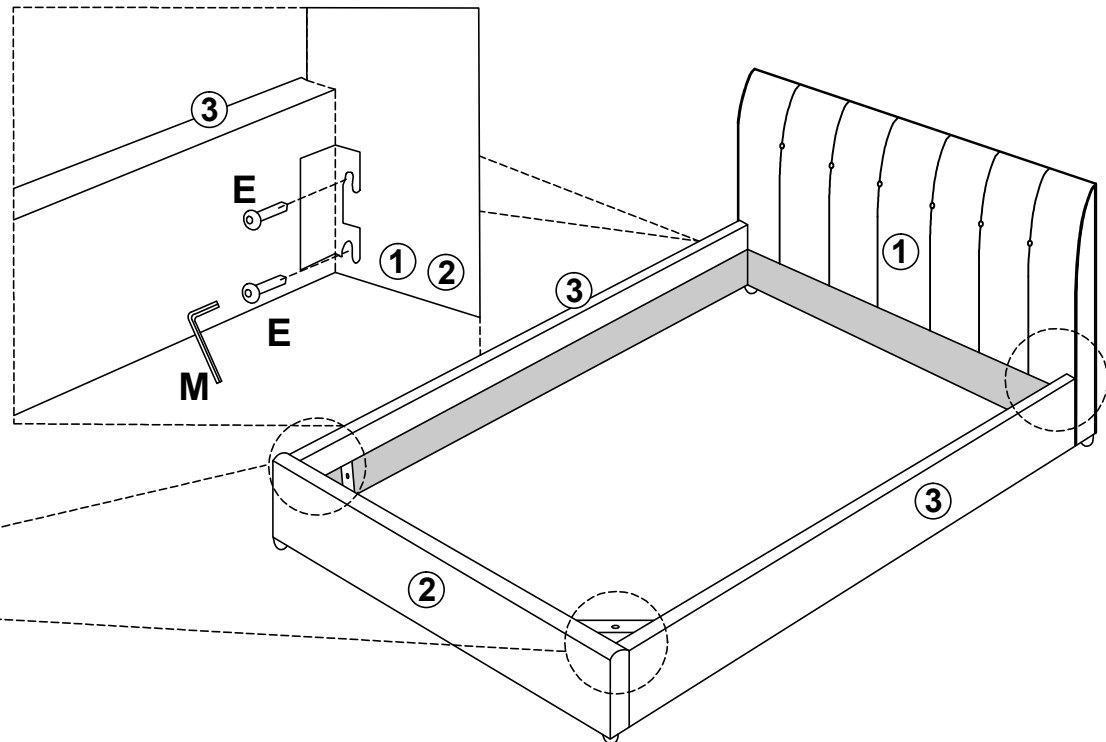
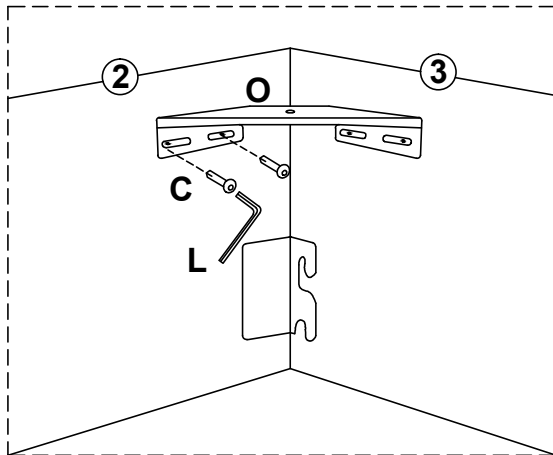


STEP 1  **B x 2pcs**  **F x 2pcs**  **H x 4pcs**

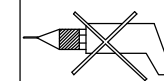


Flip up the non woven fabric on the back of headboard and take out the wings & wooden slats.

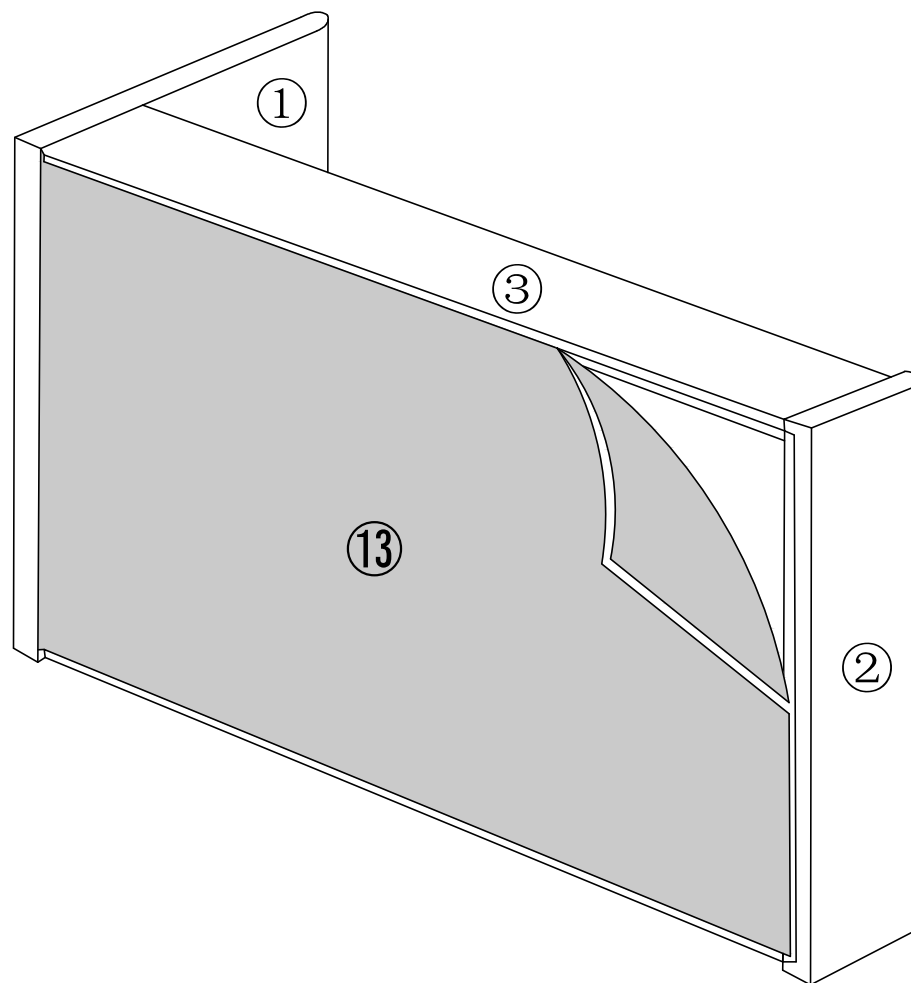
STEP 2  **E x 8pcs**
 **C x 8pcs**



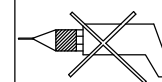
USE OF POWER TOOLS TO ASSEMBLE THIS PRODUCT WILL INVALIDATE ANY CLAIM AND DAMAGE THIS PRODUCT MAKING IT UNSAFE.

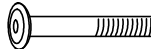

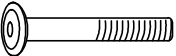



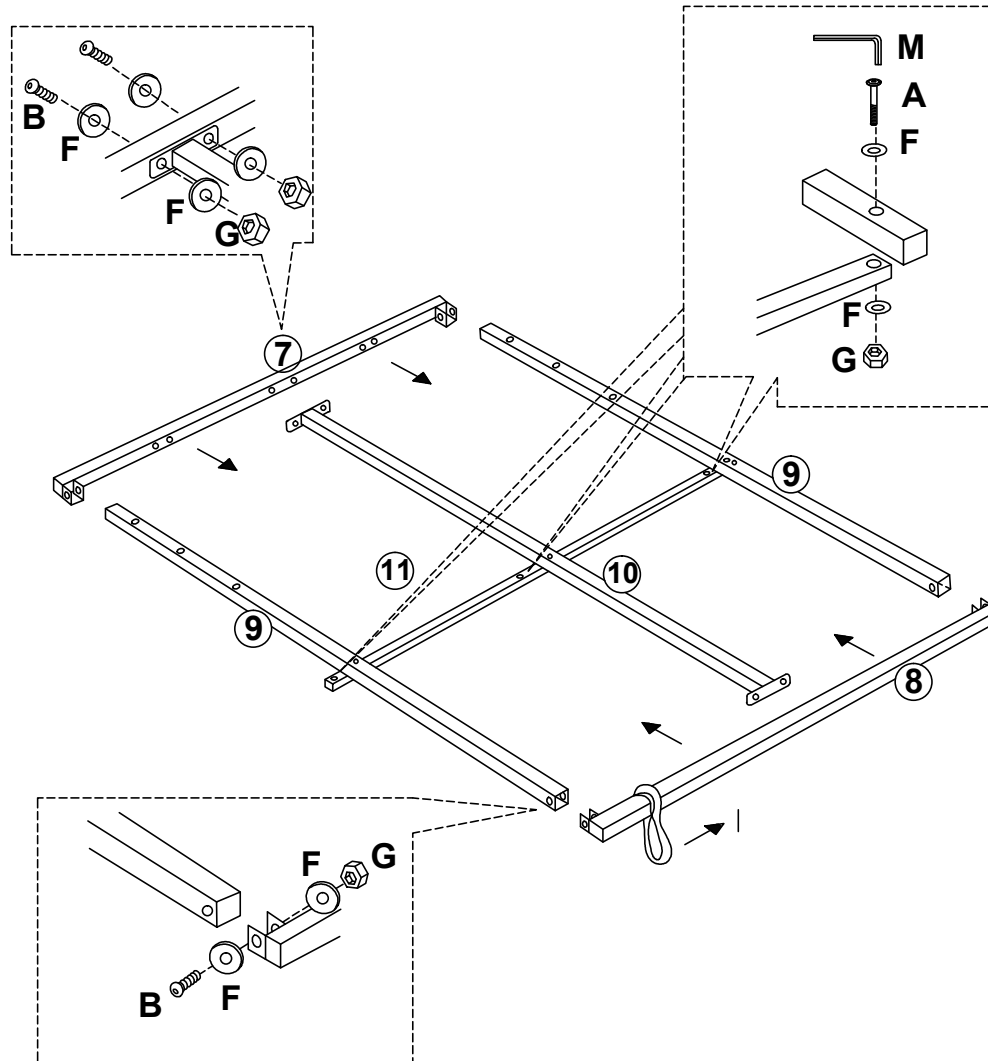
STEP 3



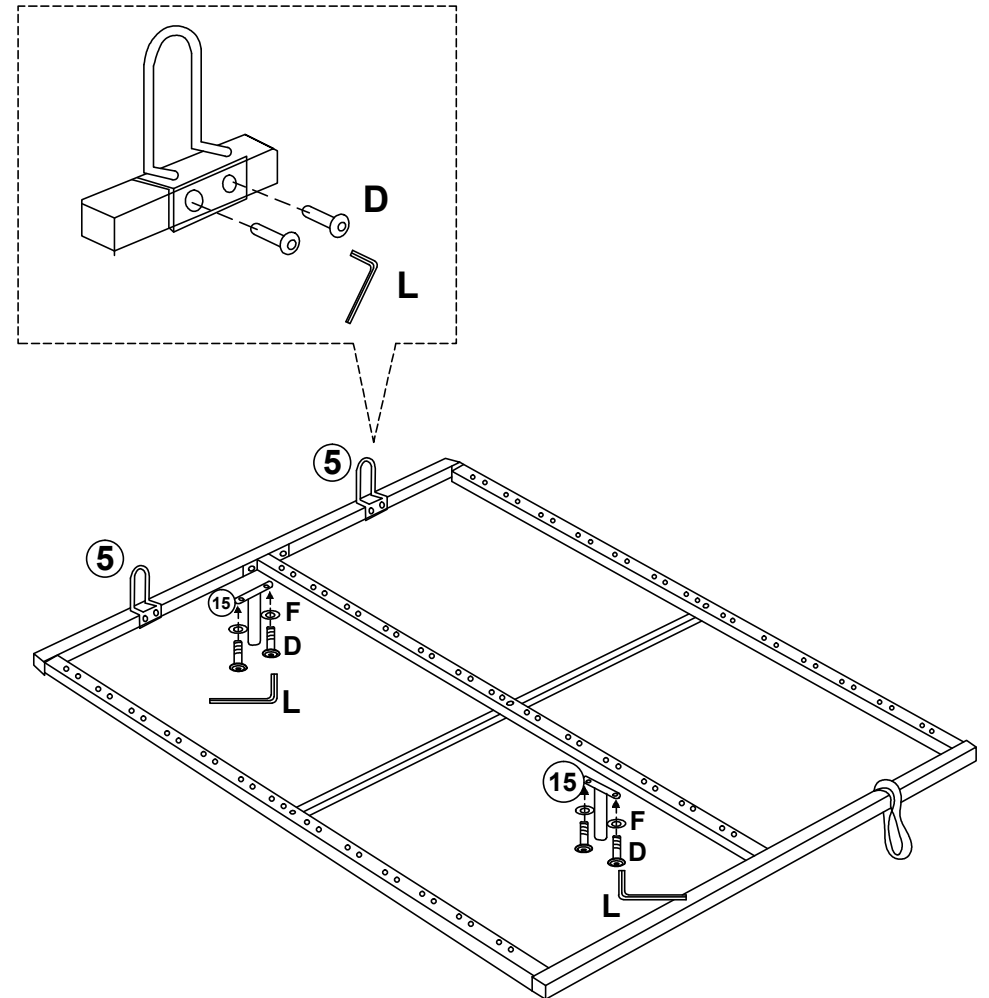
USE OF POWER TOOLS TO ASSEMBLE THIS PRODUCT WILL INVALIDATE ANY CLAIM AND DAMAGE THIS PRODUCT MAKING IT UNSAFE.



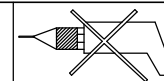
STEP 4  **B x 8pcs**  **G x 11pcs**
 **A x 3pcs**  **F x 22pcs**



STEP 5  **D x 8pcs**  **F x 4pcs**



USE OF POWER TOOLS TO ASSEMBLE THIS PRODUCT WILL INVALIDATE ANY CLAIM AND DAMAGE THIS PRODUCT MAKING IT UNSAFE.



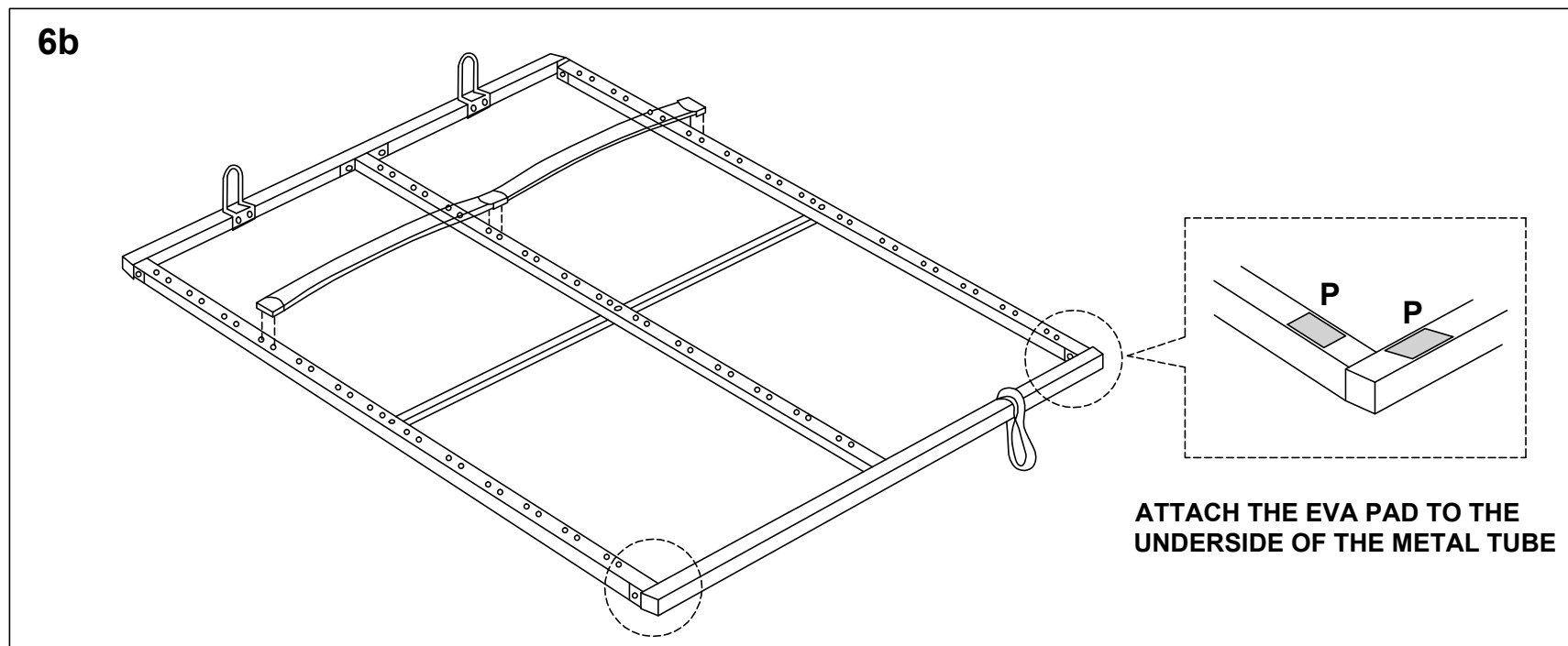
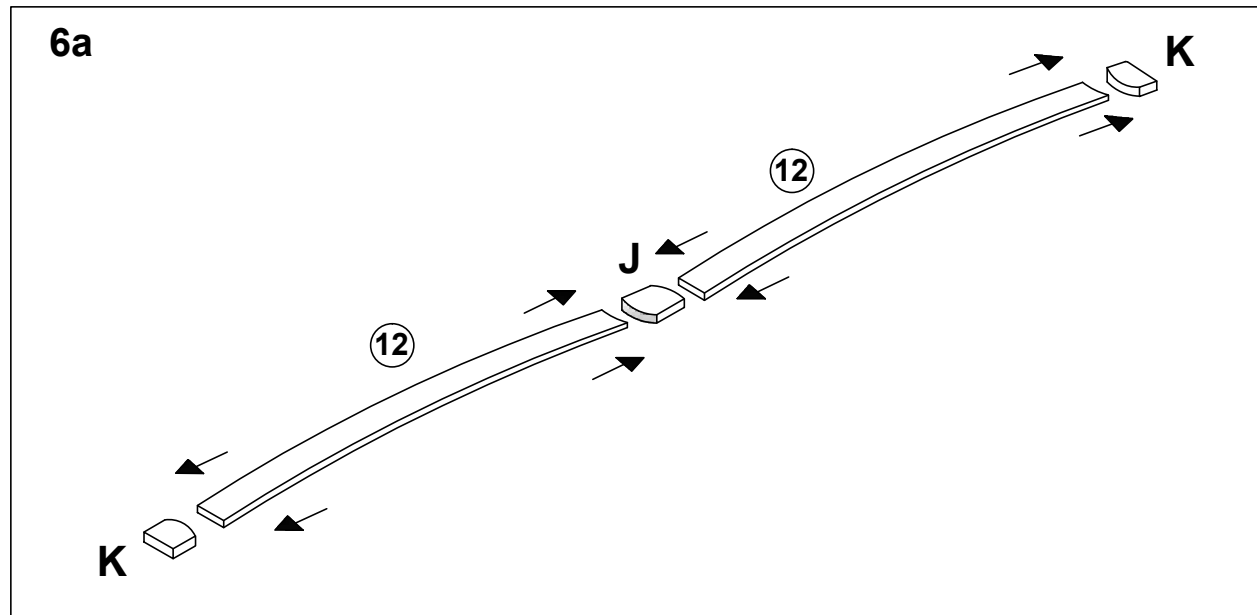
STEP 6



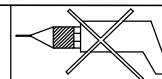
J x 14pcs



K x 28pcs



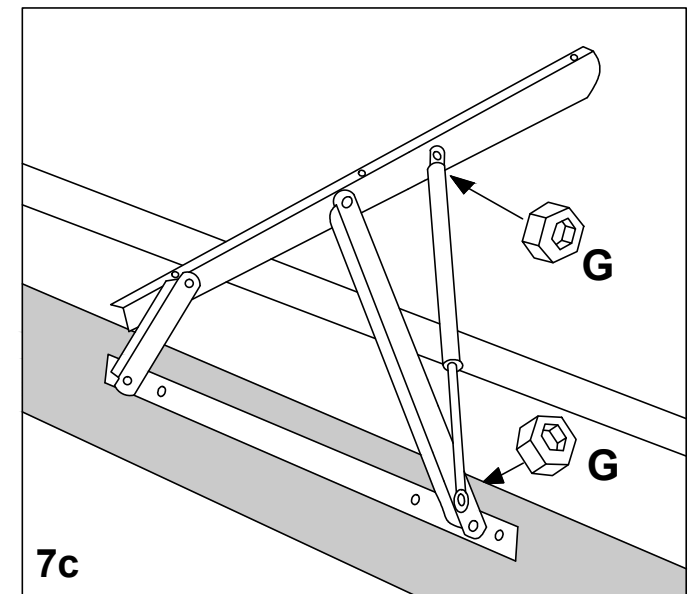
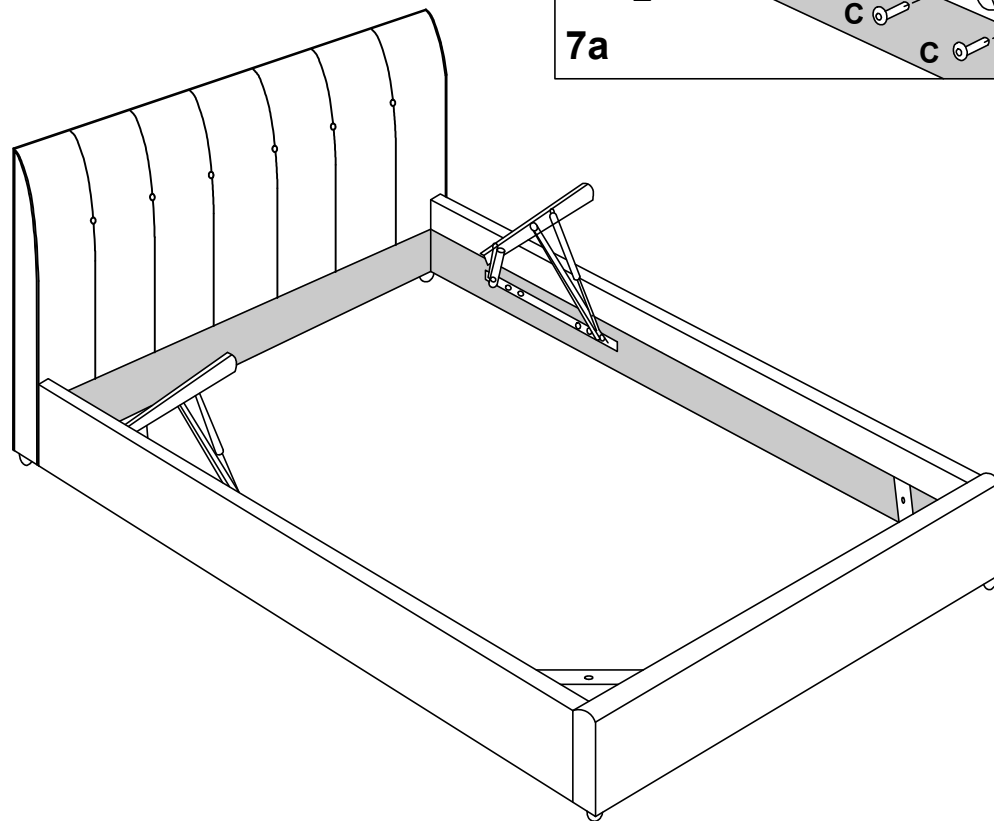
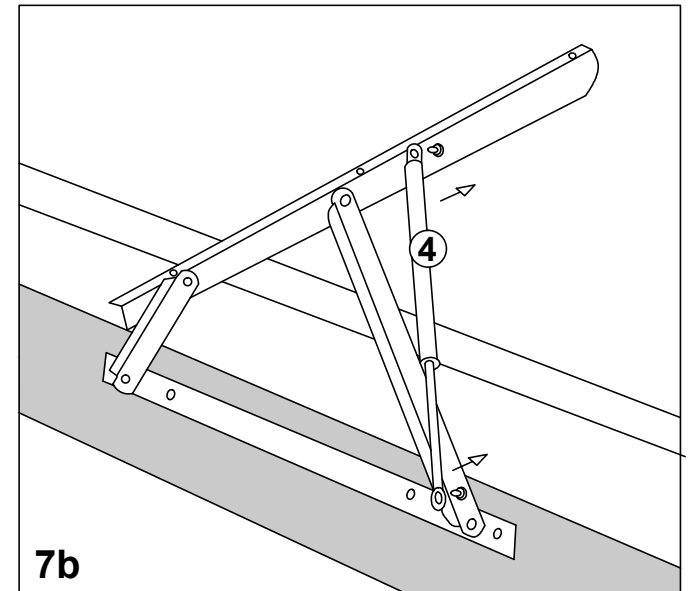
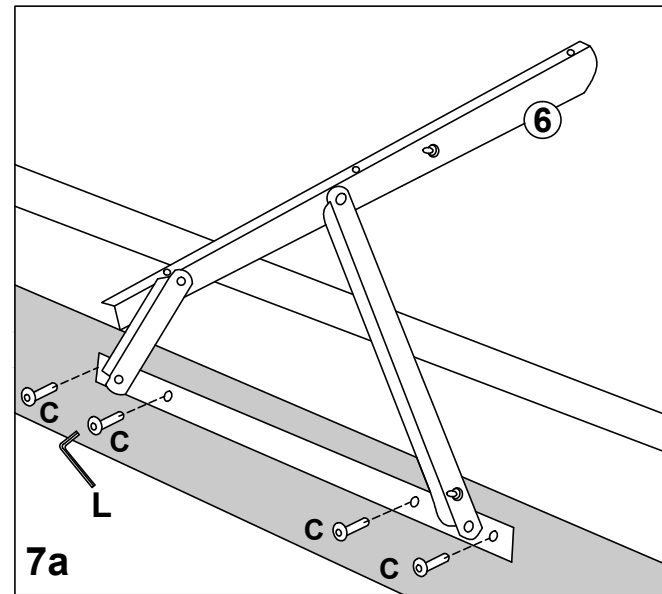
USE OF POWER TOOLS TO ASSEMBLE THIS PRODUCT WILL INVALIDATE ANY CLAIM AND DAMAGE THIS PRODUCT MAKING IT UNSAFE.



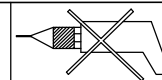
STEP 7

 **C x 8 pcs**

 **G x 4 pcs**

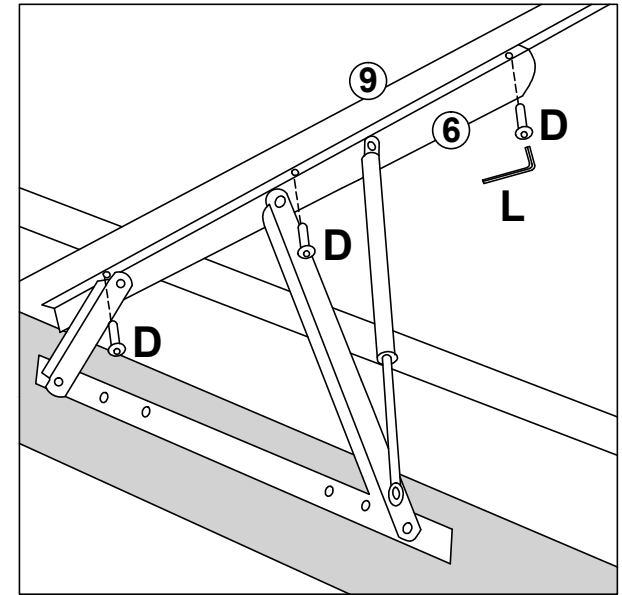
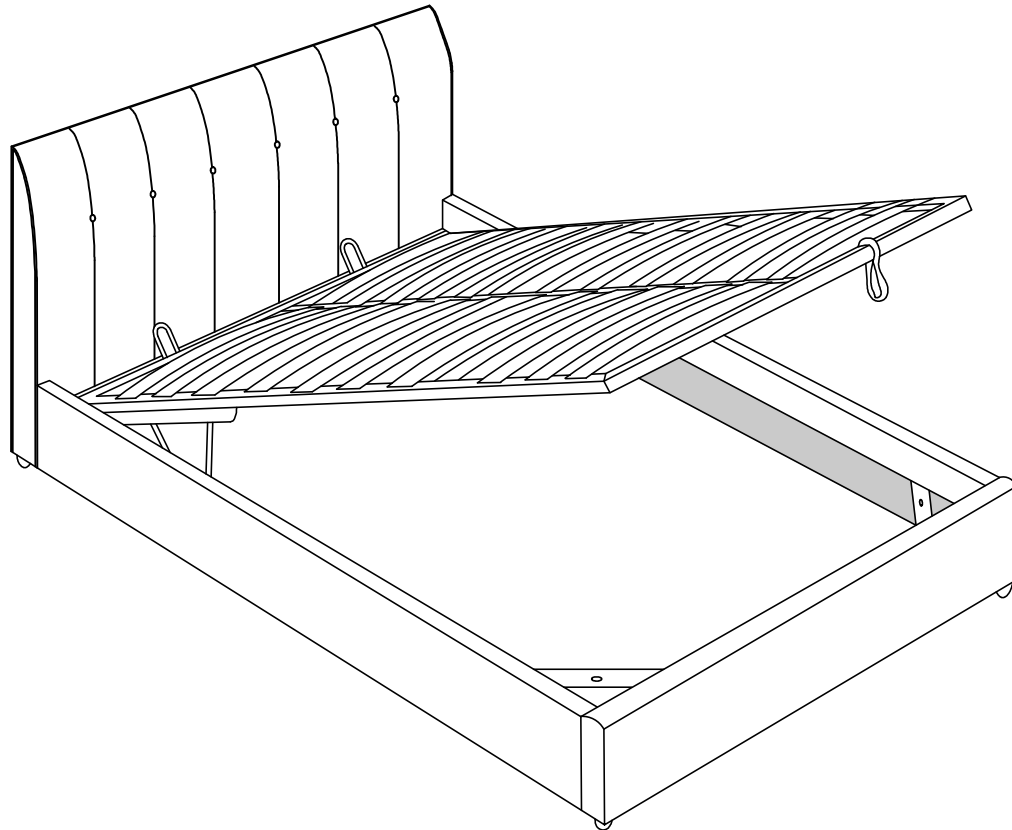


USE OF POWER TOOLS TO ASSEMBLE THIS PRODUCT WILL INVALIDATE ANY CLAIM AND DAMAGE THIS PRODUCT MAKING IT UNSAFE.



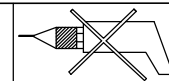
STEP 8

 **D x 6pcs**



DO NOT ATTEMPT TO LOWER THE BASE INTO POSITION UNTIL THE MATTRESS IS PLACED ON THE FRAME

USE OF POWER TOOLS TO ASSEMBLE THIS PRODUCT WILL INVALIDATE ANY CLAIM AND DAMAGE THIS PRODUCT MAKING IT UNSAFE.



**PLEASE ENSURE THE MATTRESS IS IN
PLACE BEFORE USING THIS MECHANISM**