



ASSEMBLY INSTRUCTIONS BRONTE BED 4'6

IMPORTANT: READ THESE INSTRUCTIONS CAREFULLY BEFORE ATTEMPTING TO ASSEMBLE OR USE YOUR BRONTE 4'6 BED FRAME.

PLEASE KEEP THESE INSTRUCTIONS FOR FUTURE REFERENCE

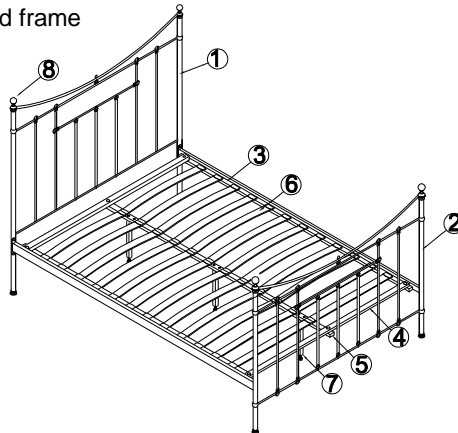
HEALTH & SAFETY:









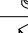
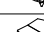
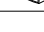
DO NOT jump on this bed frame
DO NOT use this bed frame if any parts are missing, damaged or worn
DO NOT use this bed frame unless all fixings are tightly secured
Always use on a level, even surface

WARNING: IF THIS BED FRAME IS ON A LAMINATED FLOOR YOU MUST PLACE SOME PROTECTION UNDER ALL LEGS TO STOP THE BED FRAME FROM MOVING. IF THIS IS NOT ADHERED TO THERE IS NO GUARANTEE IF THE BED FRAME COLLAPSES

CARE & MAINTENANCE:



Periodically check all screws & fixings to ensure they are tightly secured
DO NOT push the bed frame as this will damage the legs.
Always lift the bed with 2 people whenever you need to change the bed frames position
Keep any sharp objects away from the bed frame

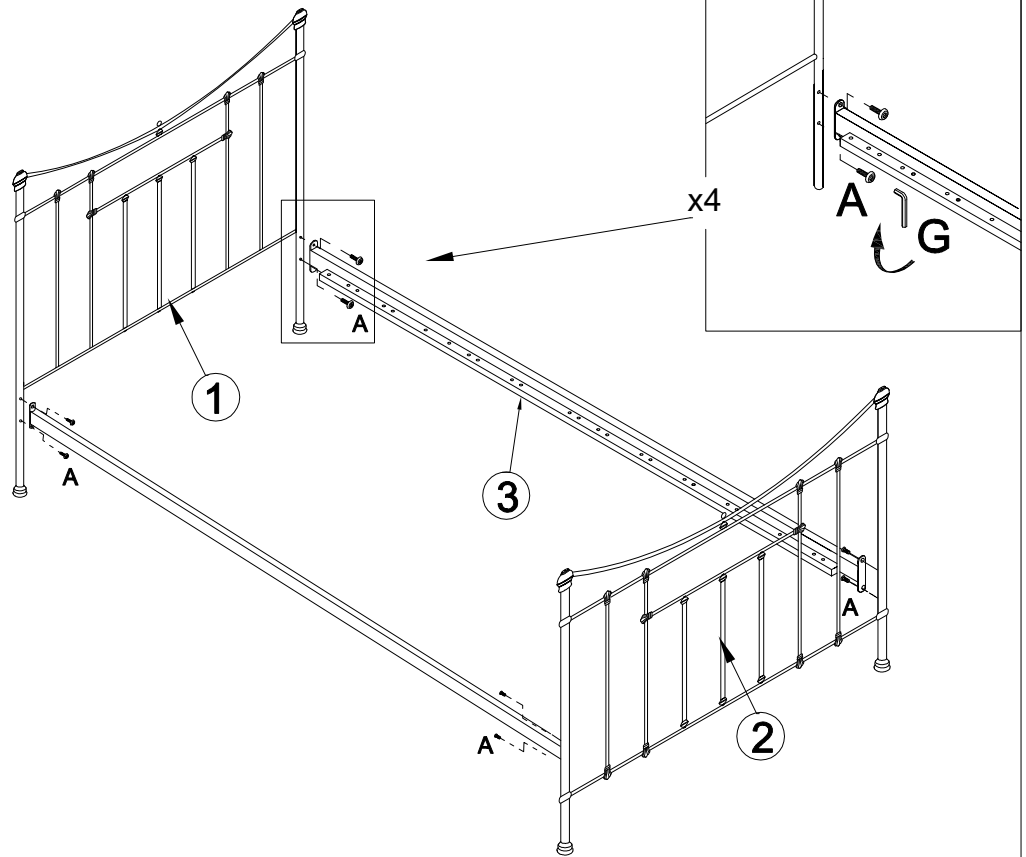


PARTS LIST			HARDWARE LIST		
No	Item	Qty	No	Item	Qty
1	Headboard	1	A	Bolts (M6x15mm) 	8
2	Footboard	1	B	Bolts (M6x25mm) 	4
3	Side Rails	2	C	Bolts (M6x30mm) 	2
4	Cross Bars	2	D	Bolts (M6x35mm) 	6
5	Centre Rail	1	E	JCN Nut (M6) 	6
6	Slats	24	F	Nuts M6 	6
7	Support legs	3	G	M4 Allen key 	2
8	Finials	4	H	Spanner M11 	1
			I	Adjuster 	3
			J	Single Plastic Cap 	24
			K	Double Plastic Cap 	12



STEP 1




A	 Bolts (M6x15mm) (8 pcs)
G	 M4 Allen key (2 pc)

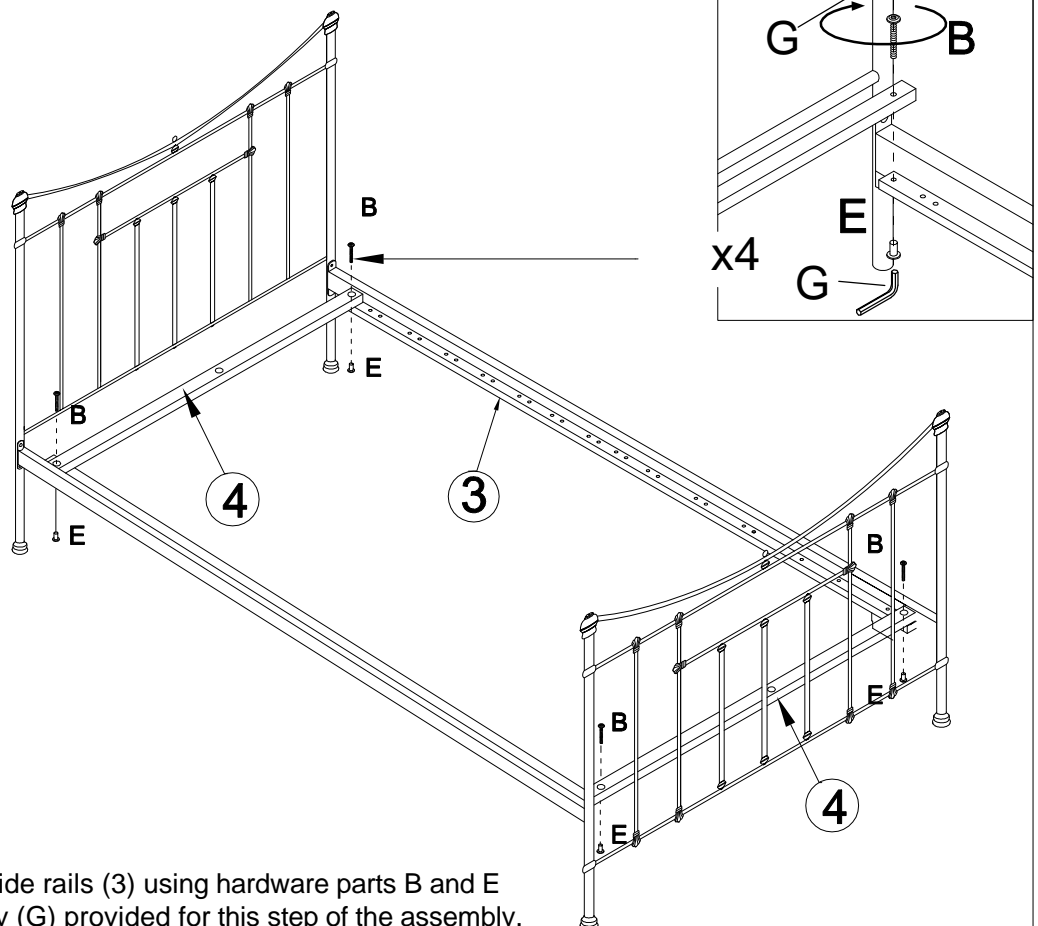


Attach the side rails (3) to the headboard (1) and footboard (2) using hardware parts A
You will need to use the allen key (G) provided for this step of the assembly.

DO NOT use any power tools, this may damage the bed frame and will invalidate any claims

STEP 2





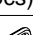
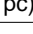
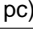
B	 Bolts (M6x25mm) (4 pcs)
E	 JCN nut (M6) (6 pcs)
G	 M4 Allen key (2 pc)

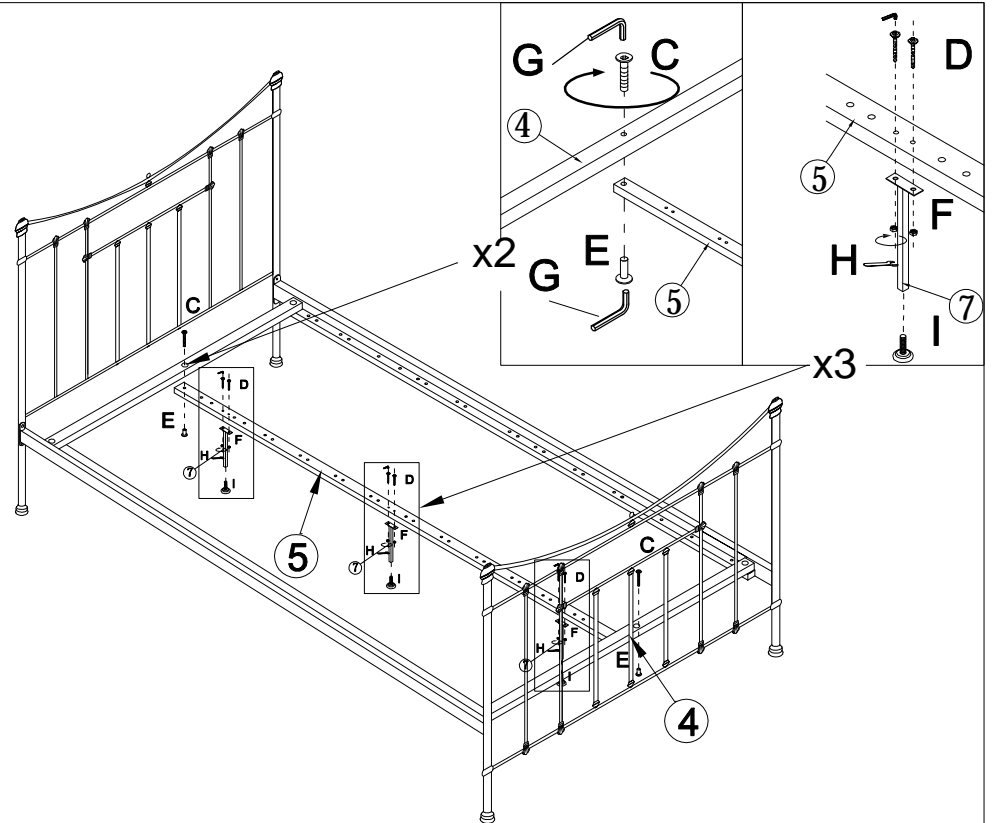


Attach the cross bars (4) to the side rails (3) using hardware parts B and E
You will need to use the allen key (G) provided for this step of the assembly.

DO NOT use any power tools, this may damage the bed frame and will invalidate any claims

STEP 3

C	 Bolts (M6x30mm) (2 pcs)
D	 Bolts (M6x35mm) (6 pcs)
E	 JCN nut (M6) (6 pcs)
F	 Nuts (M6) (6 pcs)
G	 M4 Allen key (2 pc)
H	 Spanner (M11) (1 pc)
I	 Adjuster (3 pc)





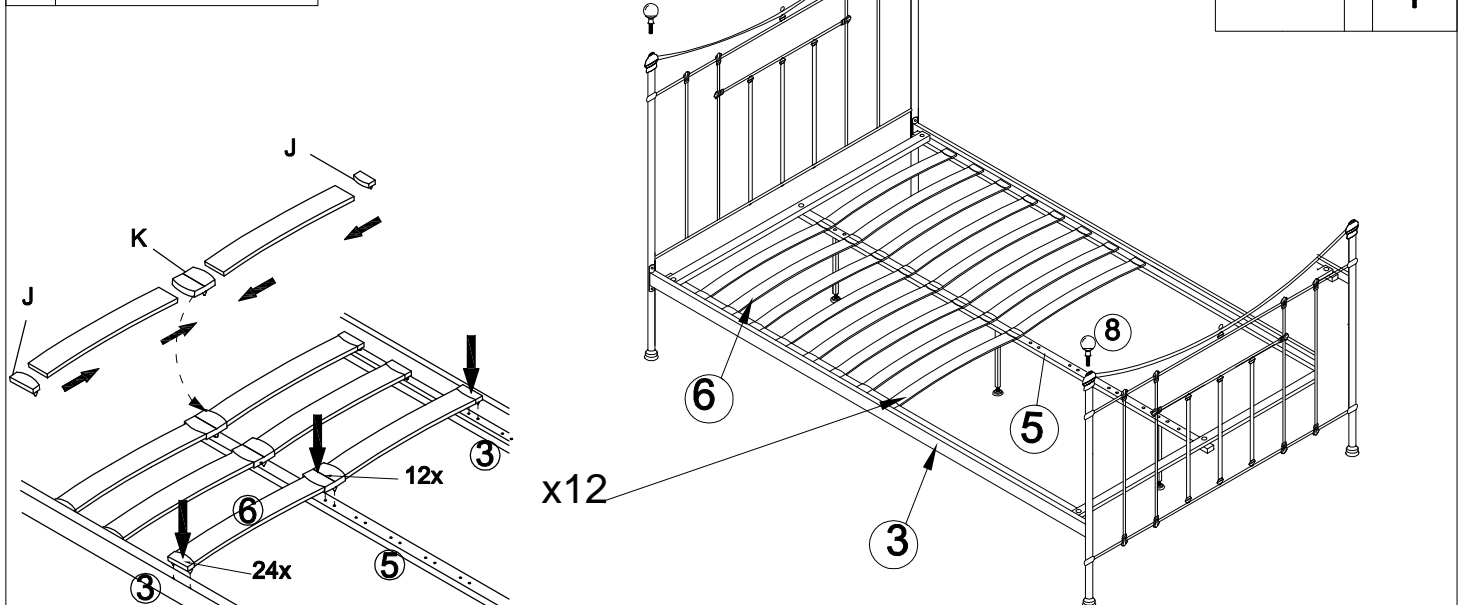
Attach the support legs (7) to the centre rail (5) using hardware parts D, F and I. Then attach the centre rail (5) to the underside of the cross bars (4) using hardware parts C and E

You will need to use the allen key (G) and the spanner (H) as provided for this step of the assembly

DO NOT use any power tools as this may damage the bed frame and will invalidate any claims

STEP 4

J	 Side stopper (24 pc)
K	 Centre stopper (12 pc)



Assemble the slats (6) as shown in the diagram then push the plastic caps (J&K) firmly into the side rails (3) and the centre rail (5). Screw the finials (8) into the headboard (1) and the footboard (2)

DO NOT use any power tools as this may damage the bed frame and will invalidate any claims