



## ASSEMBLY INSTRUCTIONS 6' CASTELLO BED

**IMPORTANT: READ THESE INSTRUCTIONS CAREFULLY BEFORE ATTEMPTING TO ASSEMBLE OR USE YOUR 6' CASTELLO BED**

**PLEASE KEEP THESE INSTRUCTIONS FOR FUTURE REFERENCE**

**HEALTH & SAFETY:**

DO NOT use this bed if any parts are missing, damaged or worn

DO NOT use this bed unless all fixings are tightly secured

Always use on a level, even surface

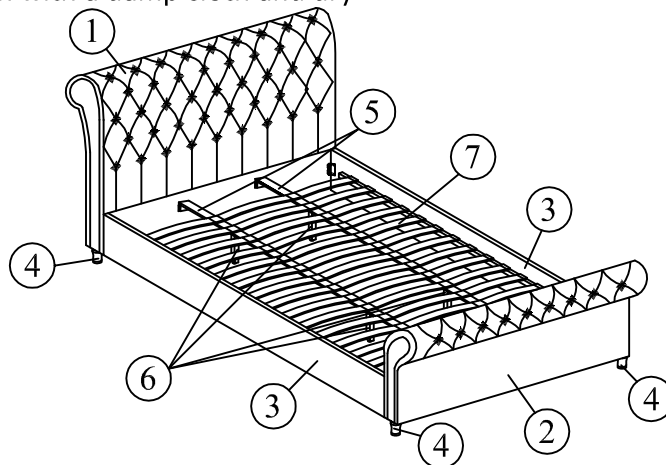
**WARNING: IF THIS BED FRAME IS ON A LAMINATED FLOOR YOU MUST PLACE SOME PROTECTION UNDER ALL LEGS TO STOP THE BED FRAME FROM MOVING. IF THIS IS NOT ADHERED TO THERE IS NO GUARANTEE IF THE BED FRAME COLLAPSES.**

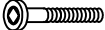





**CARE & MAINTENANCE:**

Periodically check all screws & fixings to ensure they are tightly secured

Keep any sharp objects away from the bed

Wipe clean with a damp cloth and dry

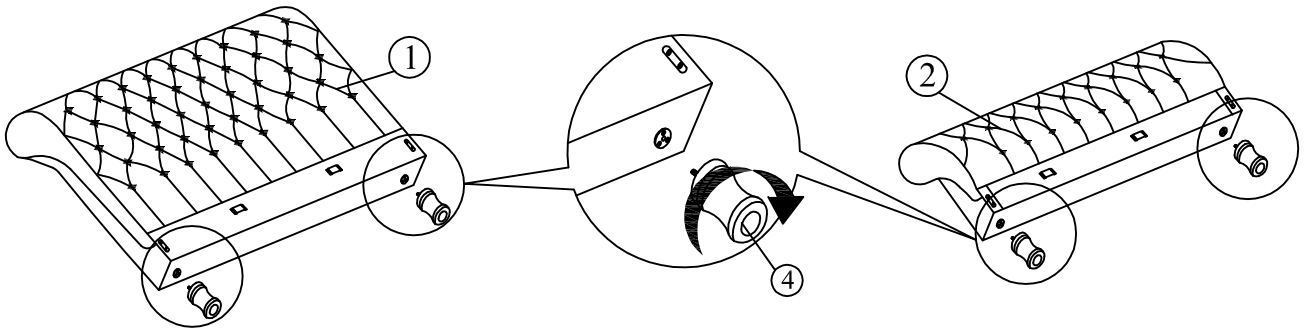


| PARTS LIST |             |     | HARDWARE LIST |  |     |
|------------|-------------|-----|---------------|--|-----|
| NO         | ITEM        | QTY | NO            | ITEM   | QTY |
| 1          | Headboard   | 1   | A             | JCBC Bolt M6*40mm   | 4   |
| 2          | Footboard   | 1   | B             | Allen Key M4*100mm  | 1   |
| 3          | Side Rail   | 2   | C             | Allen Key M4*70mm   | 1   |
| 4          | Leg         | 4   | D             | CSK Screw M4*25mm   | 4   |
| 5          | Center rail | 2   | E             | Middle Holder       | 28  |
| 6          | Support Leg | 4   | F             | End Holder          | 28  |
| 7          | Slat        | 42  |               |  |     |

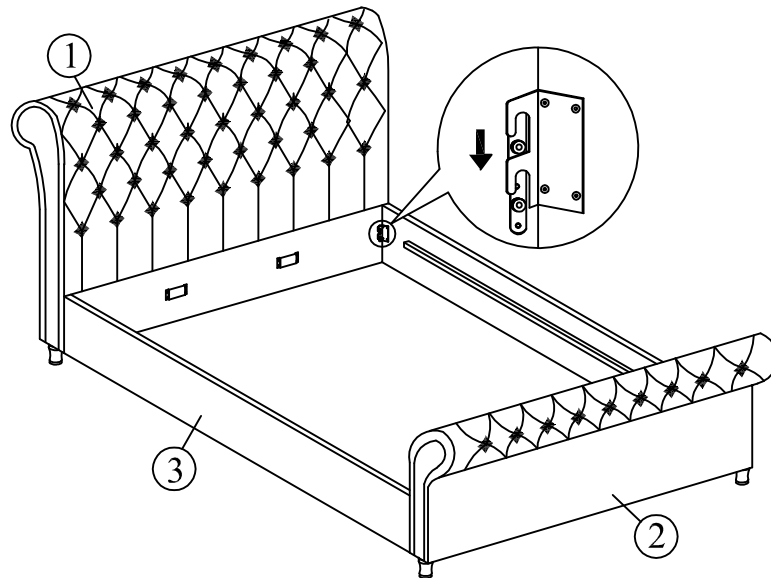


**Step 1:** Attach the legs (4) to the headboard (1) and footboard (2).

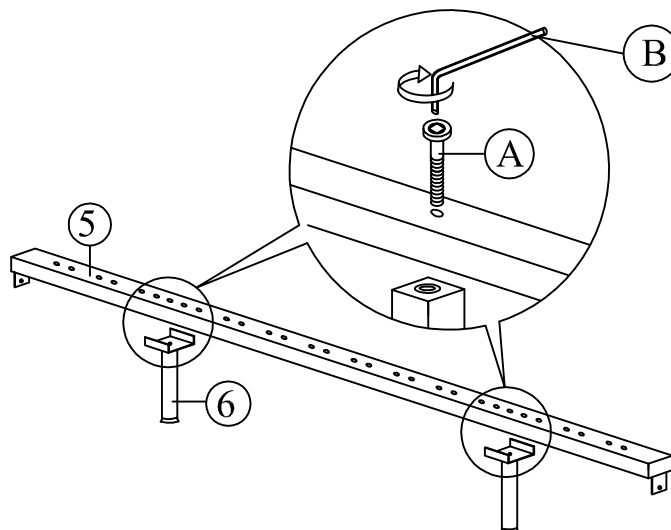
**Vendor: S000013**



**Step 2:** Attach the side rails (3) to the headboard (1) and footboard (2) by pushing the brackets down into place as shown.

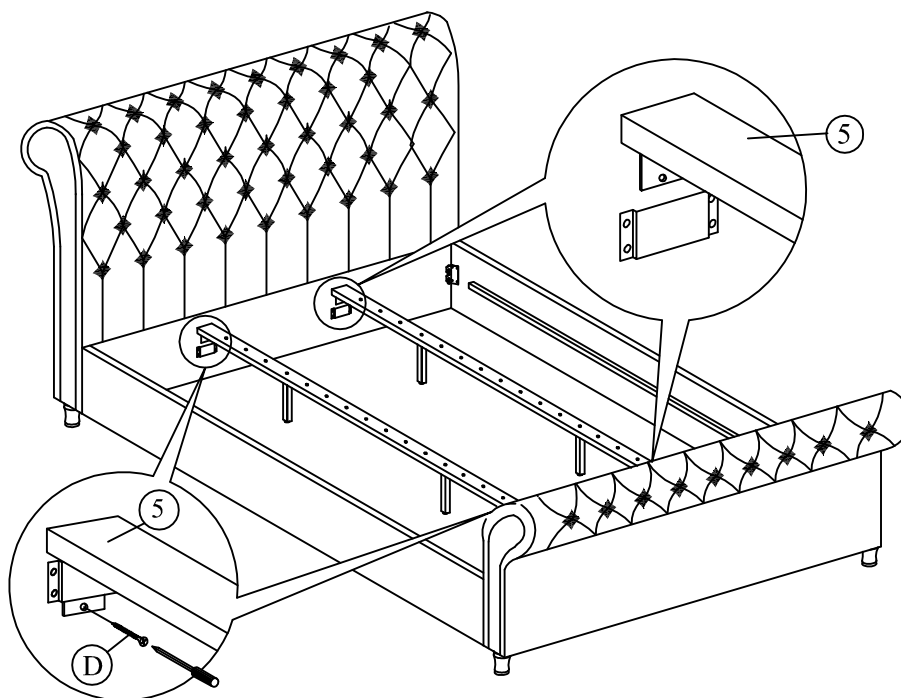


**Step 3:** Attach the support legs (6) to the centre rail (5) using hardware part A and the Allen key as provided.



Step 4: Fit the centre rail (5) to the headboard (1) and footboard (2) using hardware part D and a screwdriver (not provided).

Vendor: S000013



Step 5: Tighten the bolts attaching the headboard (1) and footboard (2) to the side rails (3) using the Allen key provided. Then fix the slats into position as shown.

