



ASSEMBLY INSTRUCTIONS

4'6 CORONA HIGH END BED

IMPORTANT: READ THESE INSTRUCTIONS CAREFULLY BEFORE ATTEMPTING TO ASSEMBLE OR USE YOUR 4'6 CORONA HIGH END BED.

Assembly Instructions

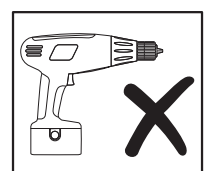
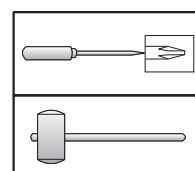
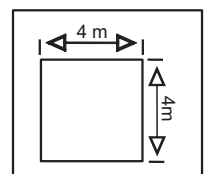
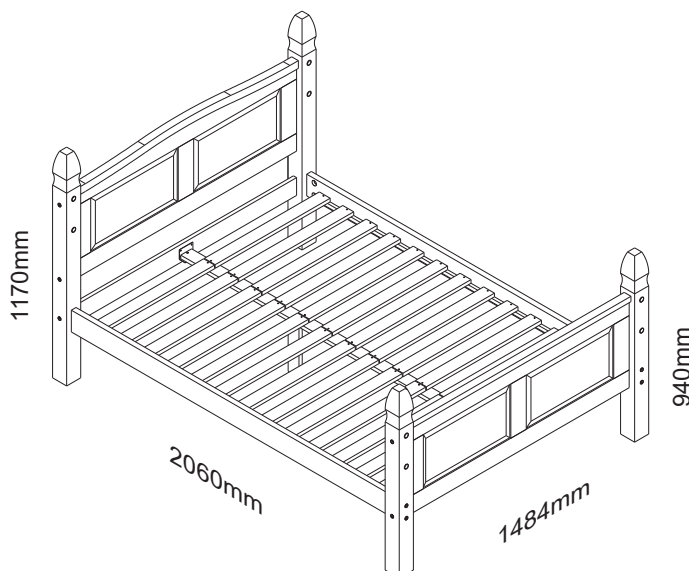
- Please check contents and read instructions carefully before commencing assembly.
- To avoid damage assemble product on a soft, clean surface.
- The only tools required are a small mallet and screwdriver.
- Do not use power tools as this might damage the product and make it unsafe. This will also invalidate any claim.
- Assemble the product in accordance with instructions defined.
- It is recommended that two people handle and assemble product.
- This product is manufactured in pine which is a wood with natural characteristics including knots, grain and clusters or indentations.
- On unpacking the furniture you may notice an odour due to the production process. However, this will disappear after a period of time.
- For care and maintenance please refer to the attached details.

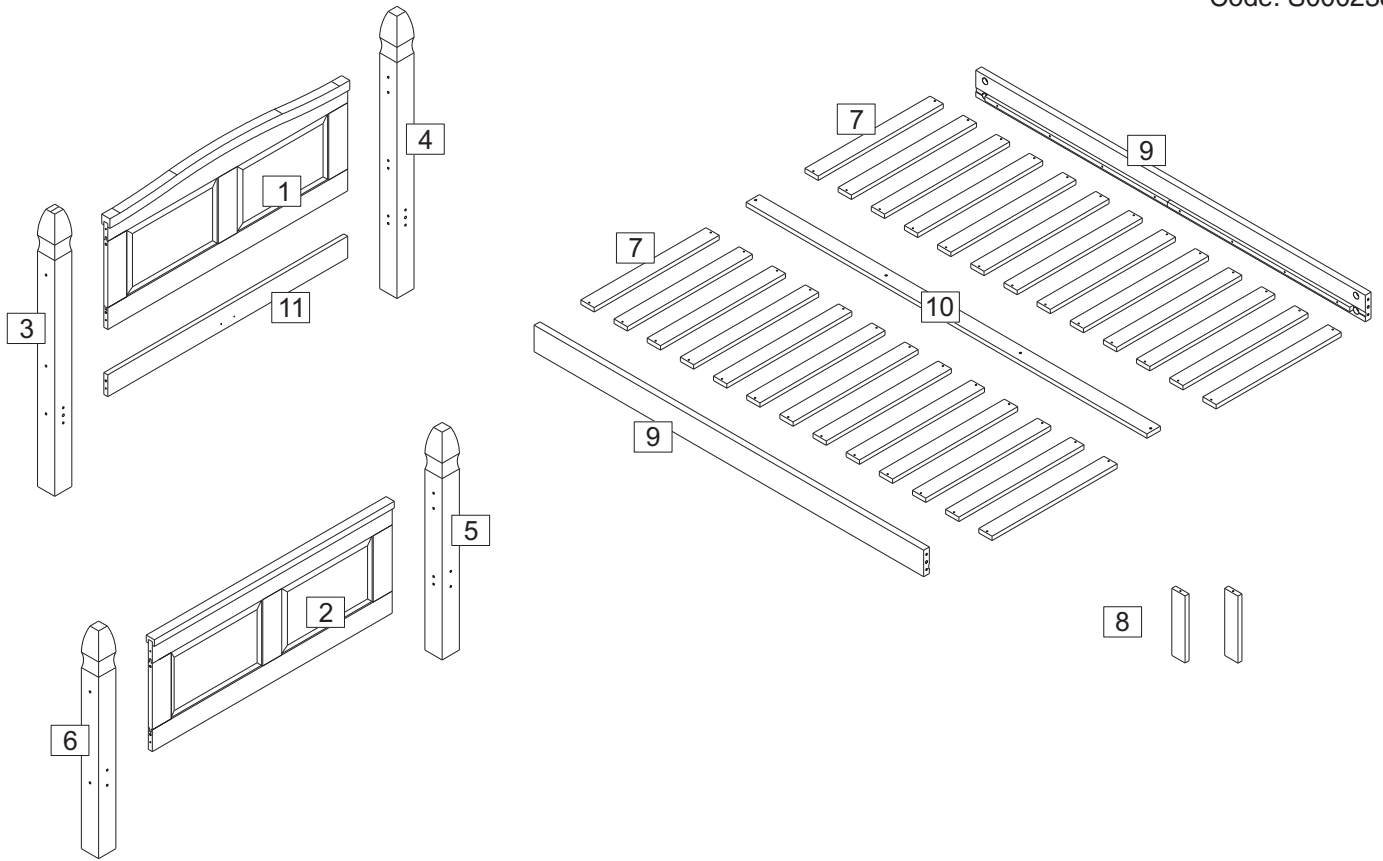
Care & Maintenance

- To enjoy your new furniture for many years please follow our recommendations below.
- Do not place product next to a radiator or direct sunlight. This product is manufactured in pine but is susceptible to temperature change. It is recommended that an even room temperature be maintained with no sudden temperature fluctuation.
- Do not place hot or cold items directly onto the surface. Always use a placemat or marking will occur.
- For general cleaning use a duster or damp cloth (almost dry) not wet
- Do not use soap and water, detergents, aerosol sprays or any polish. The use of the materials above would invalidate any claim.
- You might wish to re-treat the surface from time to time to maintain the original finish.

This can be done by using block wax (unperfumed). Please follow the manufacturer's instructions carefully.

- Carry out regular inspection to ensure fittings are secure. Please be careful not to over tighten fittings.
- Do not place furniture on wet or damp floor as staining may occur to your floor.

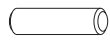


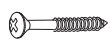


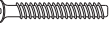



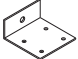

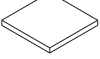





PARTS LIST

Part	Item	Qty
1	Headboard panel	1
2	Footboard panel	1
3	Left headboard post	1
4	Right headboard post	1
5	Right footboard post	1
6	Left footboard post	1
7	Slat pack	26
8	Support leg	2
9	Side rail	2
10	Centre rail	1
11	Headboard rail	1

HARDWARE LIST

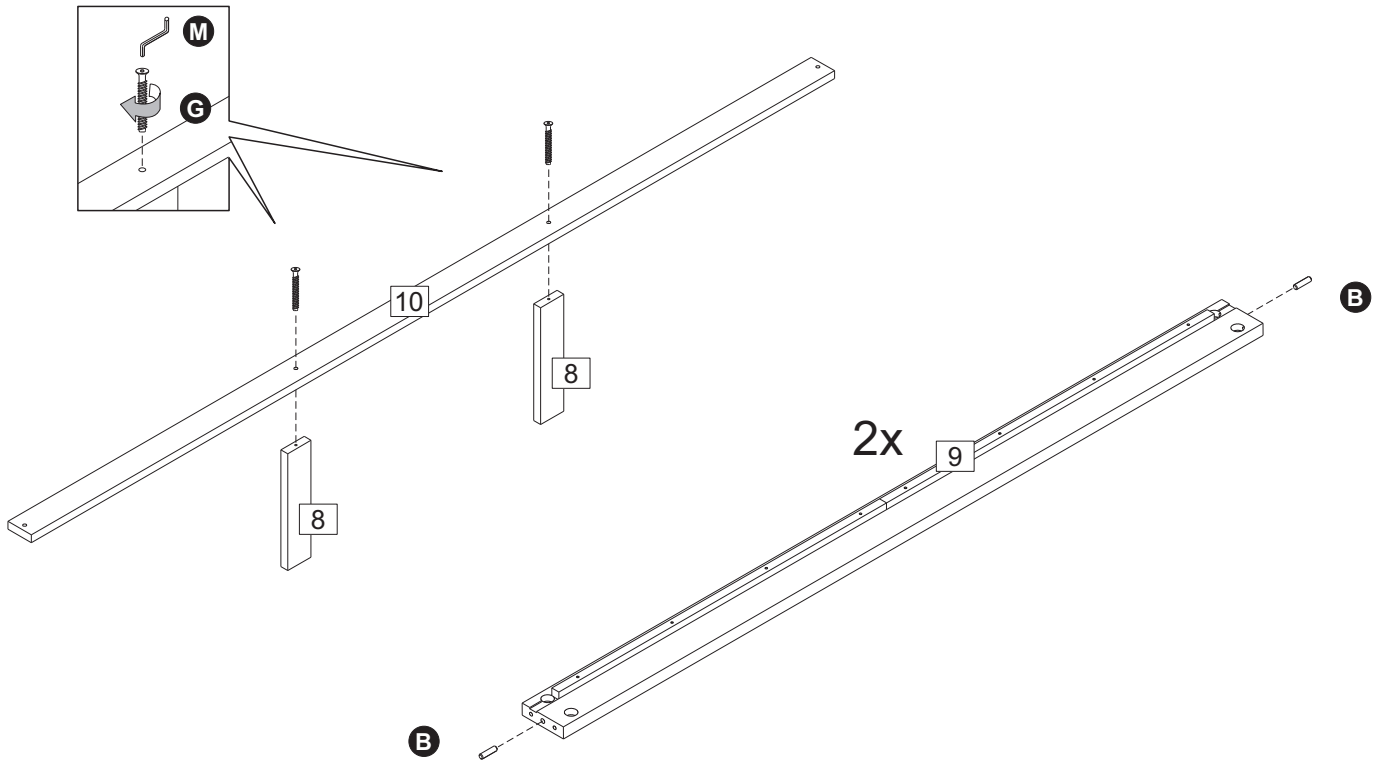
Part	Item	Qty
A	30mm dowel 	10
B	40mm dowel 	4
C	16mm Screw 	8
D	35mm Screw 	52
E	32mm Bolt 	2
F	Nut 	2
G	50mm Bolt 	2
H	130mm Bolt 	10
J	130mm Bolt 	8
K	Half moon nut 	8
L	Metal bracket 	2
M	Allen key 	1
N	Spacer 	2
P	Round metal stud 	8

STEP 1

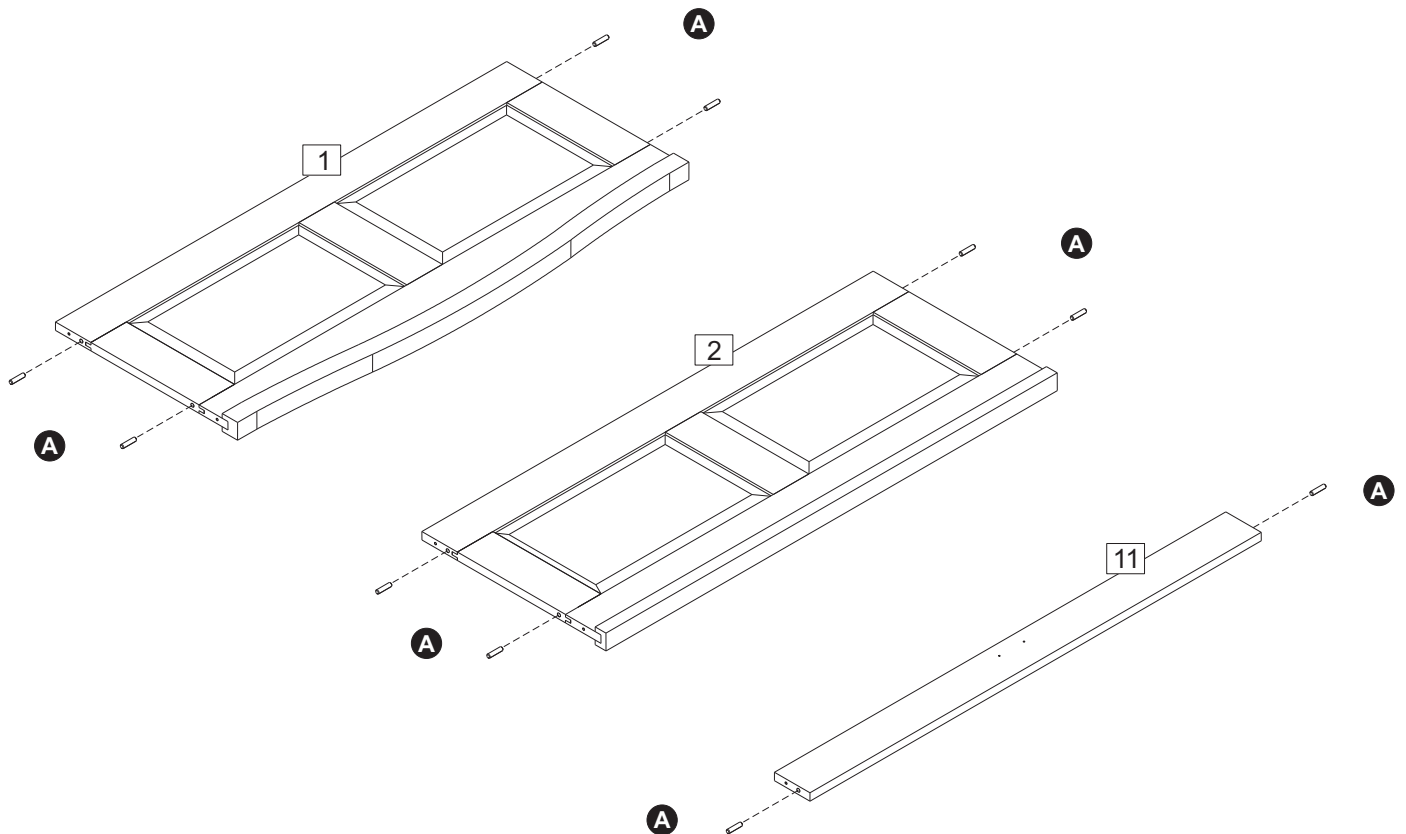
Attach the support legs **8** to the centre rail **10** using hardware part **G** and the Allen key as provided.

Insert the 40mm wooden dowels to the side rails **9** using a small mallet (not provided)

DO NOT use any power tools as this may damage the item and will invalidate any claims.

**STEP 2**

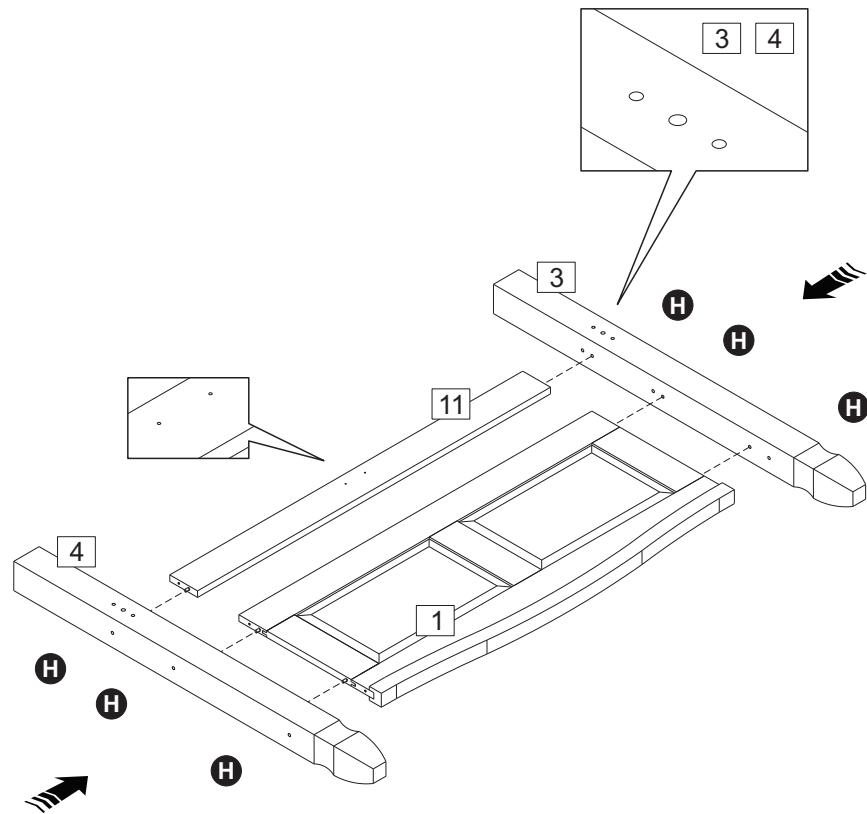
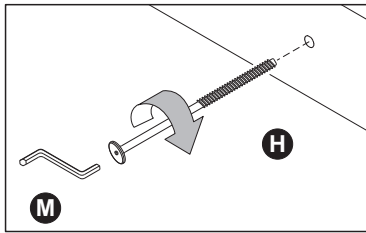
Insert the 30mm wooden dowels to the headboard panel **1**, footboard panel **2** and headboard rail **11** using a small mallet (not provided).



STEP 3

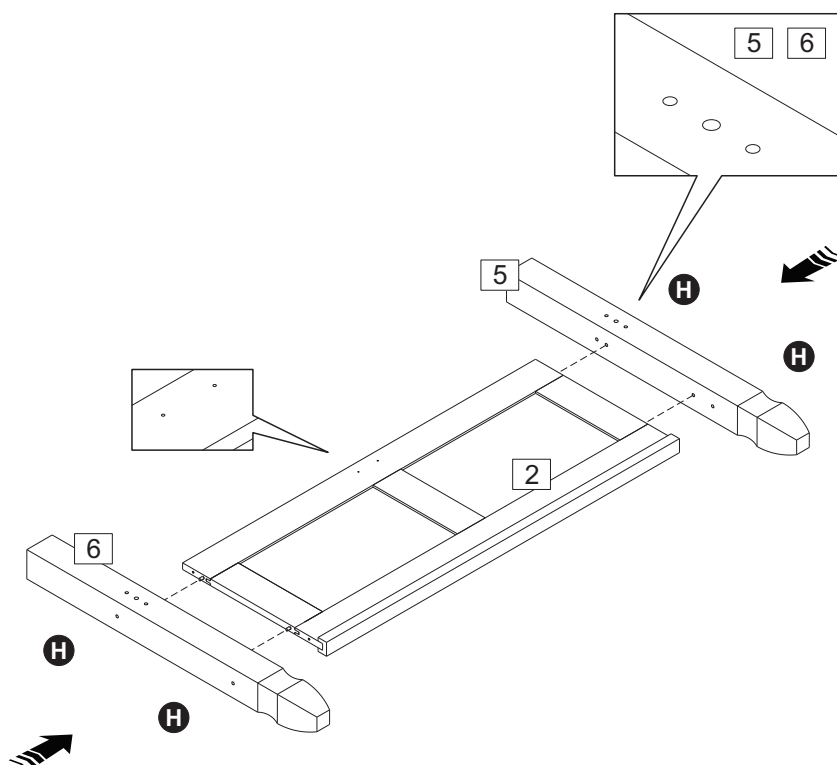
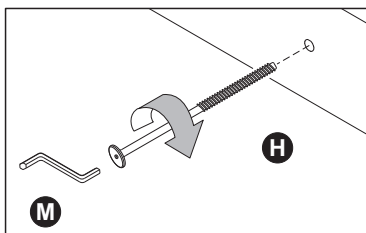
Attach the left headboard post **3** and right headboard post **4** to the headboard panel **1** and headboard rail **11** using hardware part **H** and the Allen key provided.

DO NOT use any power tools as this may damage the item and will invalidate any claims.

**STEP 4**

Attach the left footboard post **6** and right footboard post **5** to the footboard panel **2** using hardware part **H** and the Allen key as provided.

DO NOT use any power tools as this may damage the item and will invalidate any claims.

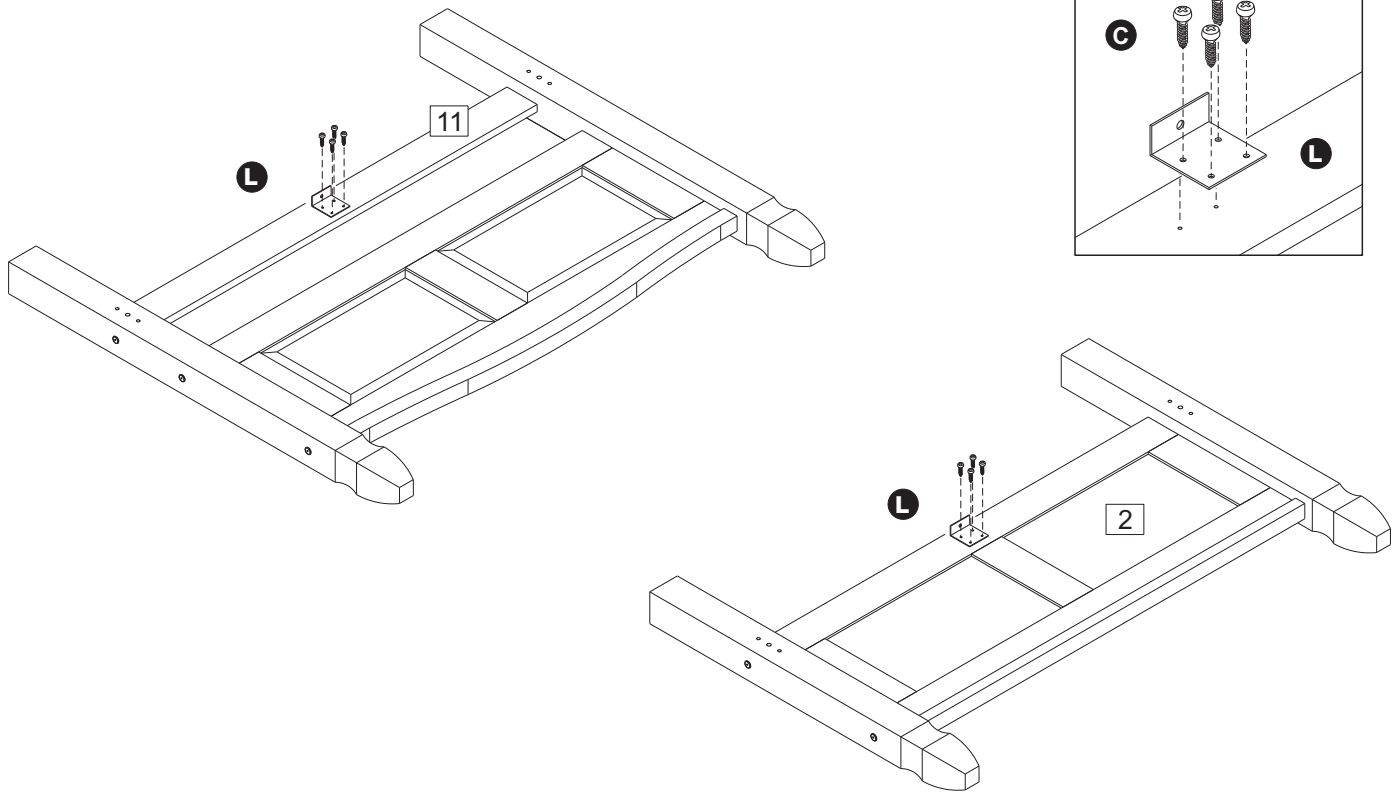


STEP 5

Code: S000238

Fix the metal brackets to the headboard rail **11** and footboard panel **2** using hardware part **L** and a screwdriver (not provided).

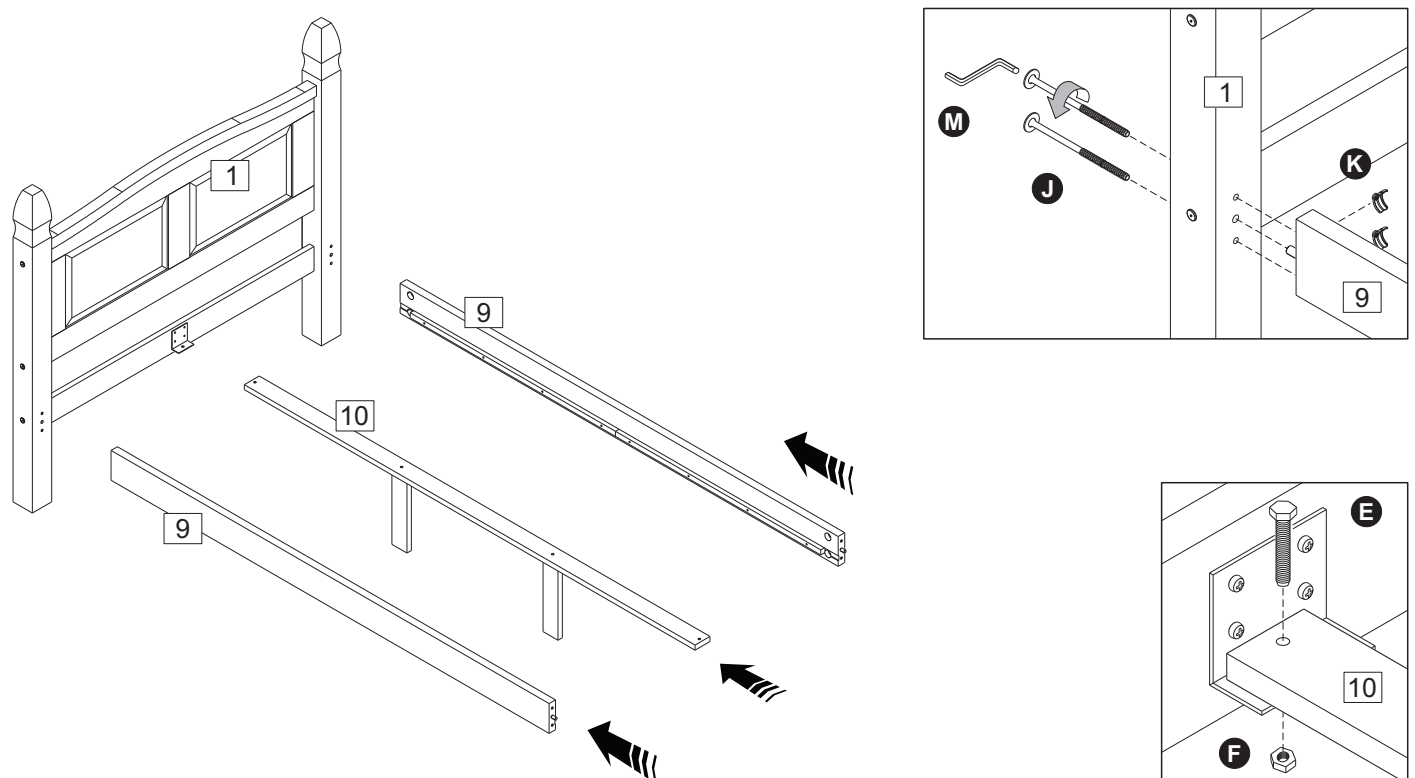
DO NOT use any power tools as this may damage the item and will invalidate any claims.



STEP 6

Attach the side rails **9** to the headboard posts using hardware parts **J** and **K** with the Allen key as provided. Then fix the centre rail **10** to the metal bracket using hardware parts **E** and **F**.

DO NOT use any power tools as this may damage the item and will invalidate any claims.

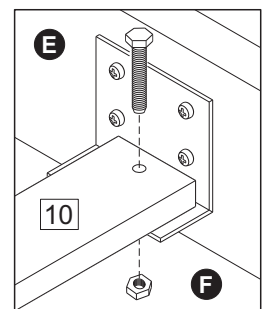
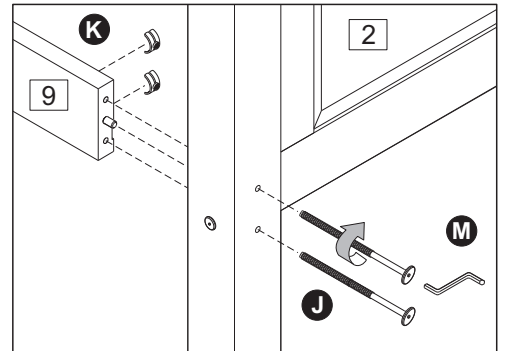
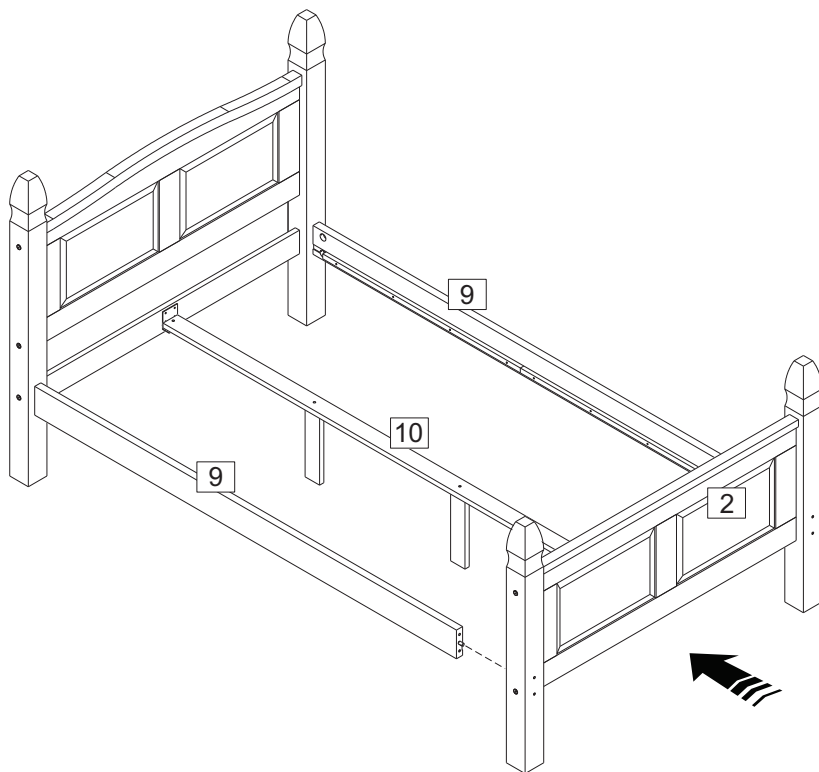


STEP 7

Code: S000238

Attach the footboard posts to the side rails **9** using hardware parts **J** and **K** with the Allen key as provided. Then fix the centre rail **10** to the metal bracket using hardware parts **E** and **F**.

DO NOT use any power tools as this may damage the item and will invalidate any claims.

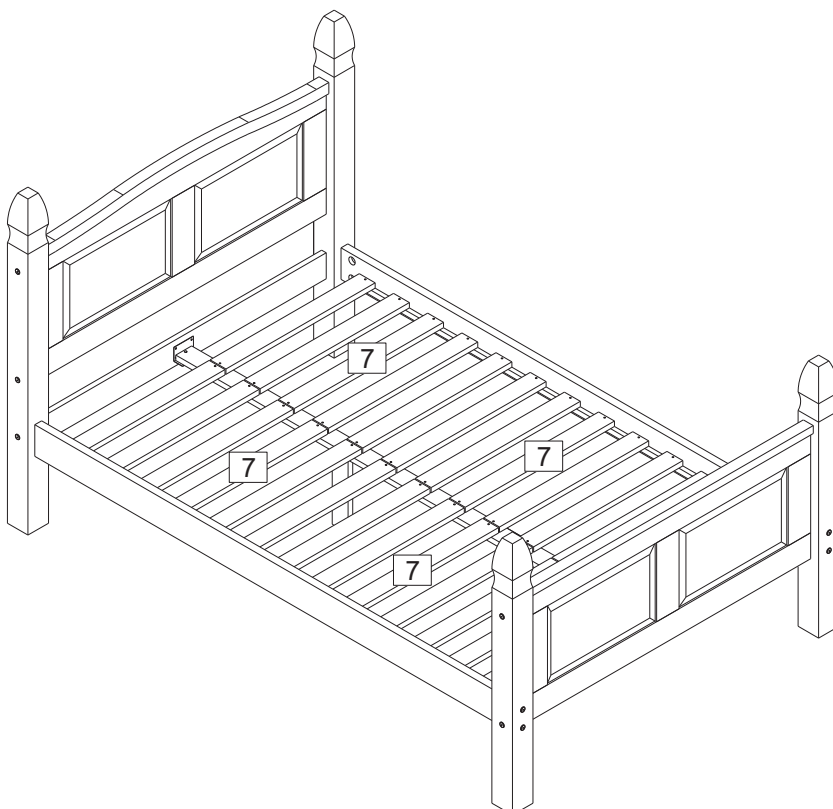


STEP 8

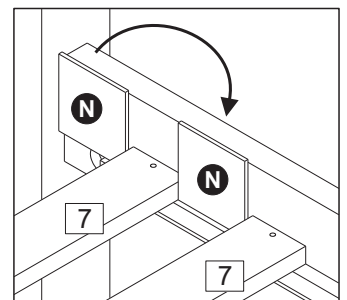
Fix the slats **7** to the side rails **9** and centre rail **10** using hardware parts **N** and **D** with a screwdriver (not provided).

Make sure to start from the ends of the bed frame and work towards the middle of the bed.

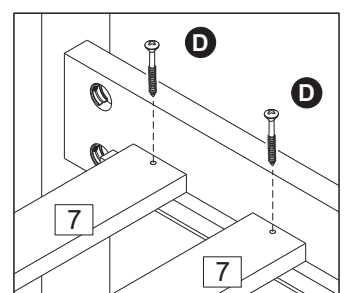
DO NOT use any power tools as this may damage the item and will invalidate any claims.



a:



b:



STEP 9

Code: S000238

Insert the metal studs to the bed posts at the dimensions as shown in the diagram using a small mallet (not provided).

DO NOT use any power tools as this may damage the item and will invalidate any claims.

