



ASSEMBLY INSTRUCTIONS

4 6 DENVER BED

IMPORTANT: READ THESE INSTRUCTIONS CAREFULLY BEFORE ATTEMPTING TO ASSEMBLE OR USE YOUR 4 6 DENVER BED FRAME

PLEASE KEEP THESE INSTRUCTIONS FOR FUTURE REFERENCE

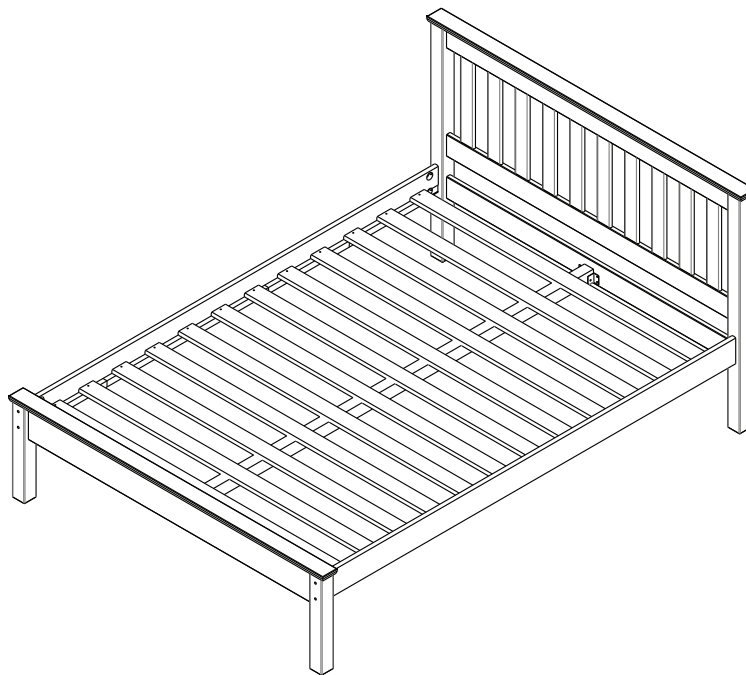
HEALTH & SAFETY:

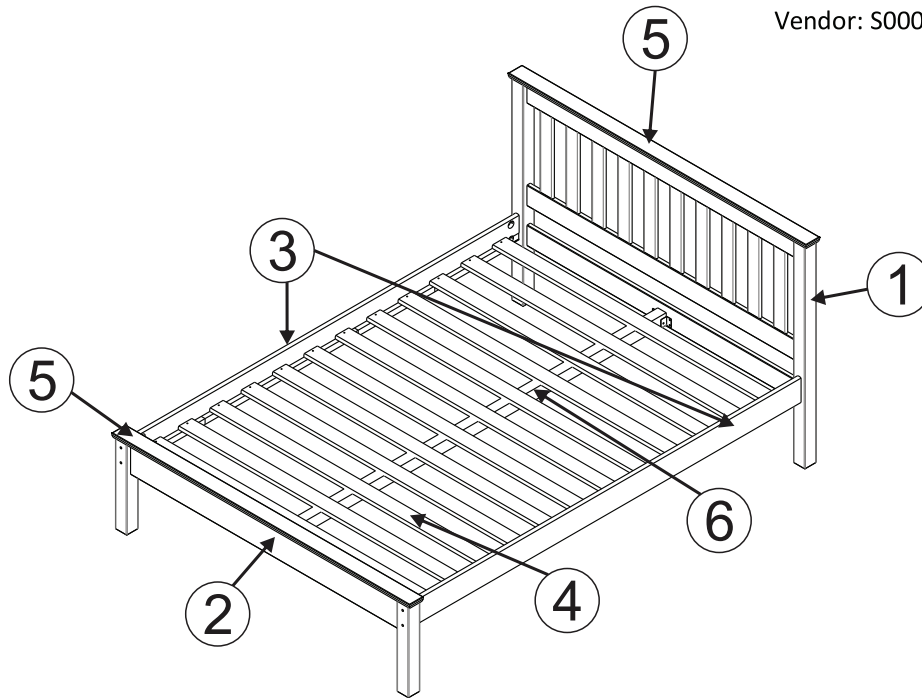
DO NOT jump on this bed
DO NOT use this bed if any parts are missing, damaged or worn
DO NOT use this bed unless all fixings are tightly secured
Always use on a level, even surface









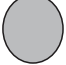



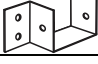

WARNING: IF THIS BED FRAME IS ON A LAMINATED FLOOR YOU MUST PLACE SOME PROTECTION UNDER ALL LEGS TO STOP THE BED FROM MOVING. IF THIS IS NOT ADHERED TO THERE IS NO GUARANTEE IF THE BED FRAME COLLAPSES

CARE & MAINTENANCE:

Periodically check all screws and fixings to ensure they are tightly secured
DO NOT push the bed frame as this will damage the support legs
Always lift the bed with 2 people whenever you need to change the bed frames position
Keep any sharp objects away from the bed frame

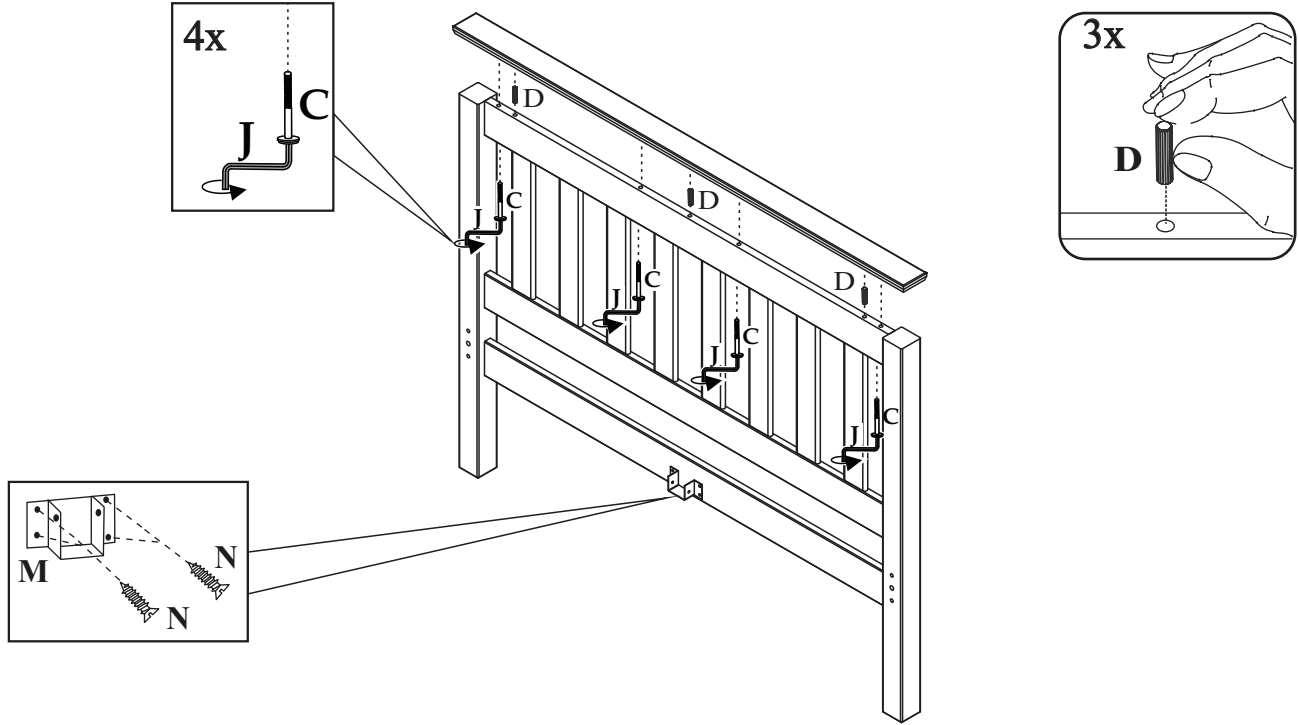




PARTS LIST			HARDWARE LIST		
Part	Item	Qty	Part	Item	Qty
1	Headboard	1	A	¼ X 110mm Bolt 	8
2	Footboard	1	B	Elliptical Nut 	8
3	Side Rail	2	C	7 x 90mm Bolt 	4
4	Slats	12	D	8 x 35mm Wooden Dowel 	6
5	Plinth	2	E	10 x 50mm Wooden Dowel 	4
6	Centre Rail	1	F	4 x 30mm Screw 	24
			G	Cam Lock 	3
			H	Locking Bolt 	3
			I	Adhesive Covers 	3
			J	Allen Key 	1
			K	Spacer Block 	2
			L	Caps 	8
			M	Bracket 	2
			N	3.5 x 16mm Screw 	12

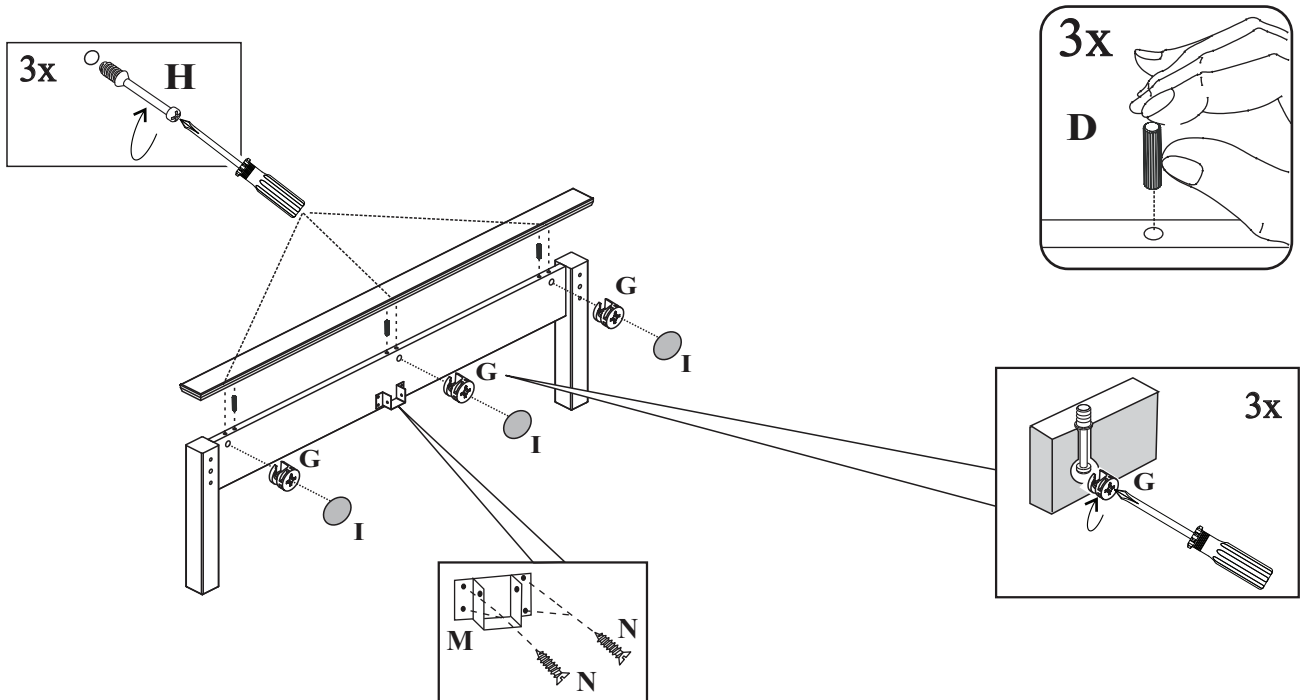
Step 1:

Attach a plinth (5) to the headboard (1) using hardware parts C and D with the Allen key (J). Then attach a bracket to the headboard (1) using hardware part N and a screwdriver (not provided)



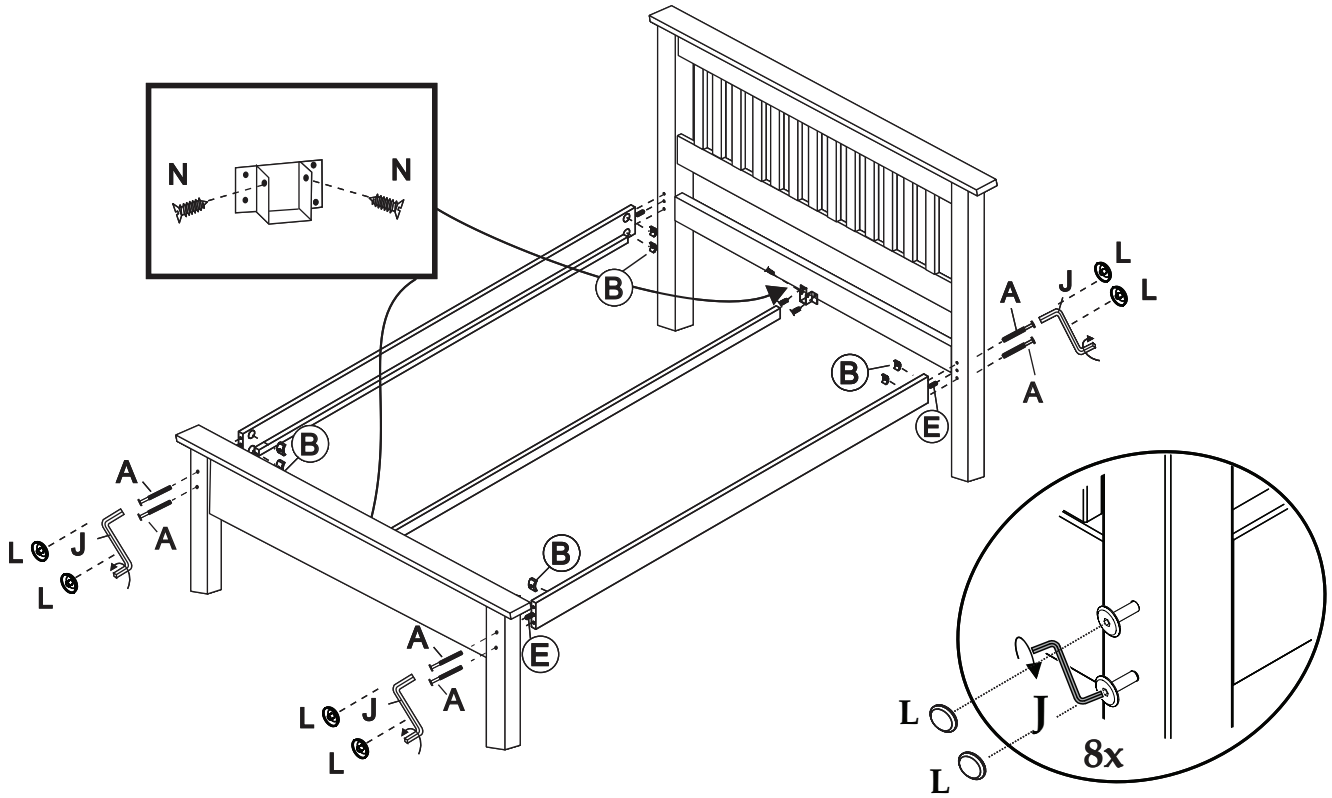
Step 2:

Attach the remaining plinth (5) to the footboard (2) using hardware parts D, G, H and I with the Allen key (J) as provided. Then attach the remaining bracket to the footboard (2) using hardware part N and a screwdriver (not provided)



Step 3:

Attach the side rails (3) to the headboard (1) and footboard (2) using hardware parts A, B, E and L with the Allen key (J) as provided. Then fix the centre rail (6) into position in the brackets using hardware part N and a screwdriver (not provided)



Step 4:

Fix the slats (4) into position whilst applying pressure to both side rails (3) using hardware parts F and K. You will need to use a screwdriver (not provided) for this step of the assembly

