

ASSEMBLY INSTRUCTIONS MONTANA 4'6 BED

IMPORTANT : READ THESE INSTRUCTIONS CAREFULLY BEFORE ATTEMPTING TO ASSEMBLE OR USE YOUR MONTANA 4'6 BED FRAME.

PLEASE KEEP THESE INSTRUCTIONS FOR FUTURE REFERENCE

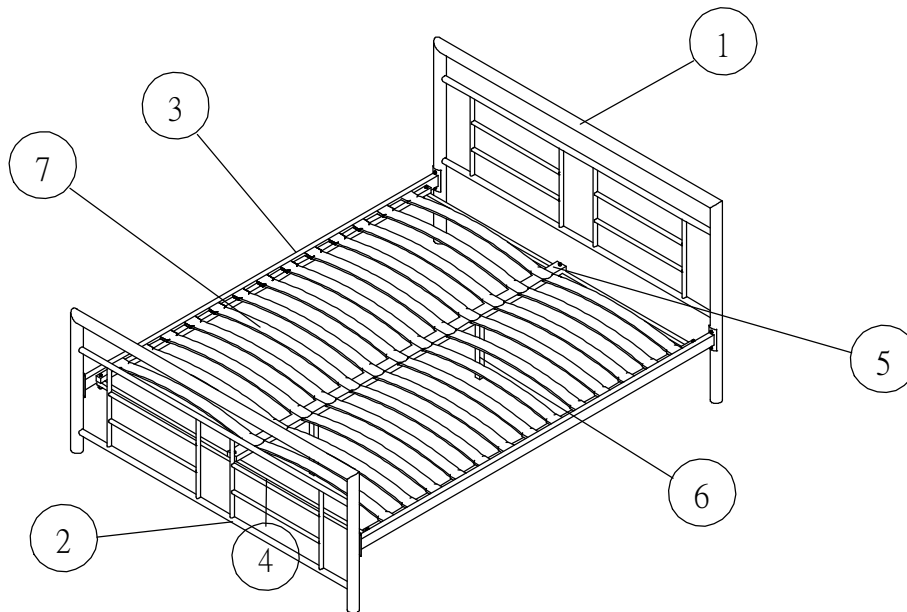
HEALTH & SAFETY :

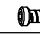


DO NOT jump on this bed frame
DO NOT use this bed frame if any parts are missing,damaged or worn
DO NOT use this bed frame unless all fixings are tightly secured
 Always use on a level, even surface

WARNING : IF THIS BED FRAME IS ON A LAMINATED FLOOR YOU MUST PLACE SOME PROTECTION UNDER ALL LEGS TO STOP THE BED FRAME FROM MOVING. IF THIS IS NOT ADHERED TO THERE IS NO GUARANTEE IF THE BED FRAME COLLAPSES

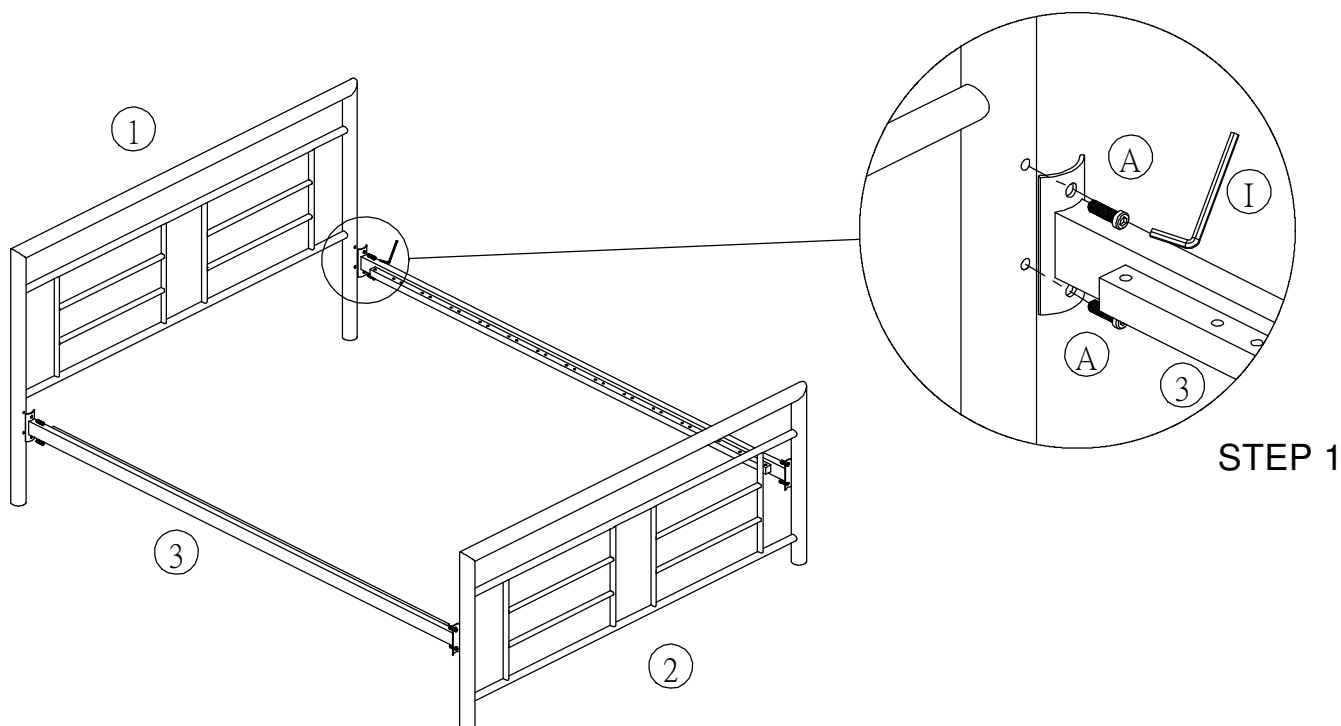
CARE & MAINTENANCE :

Periodically check all screws & fixings to ensure they are tightly secured
DO NOT push the bed frame as this will damage the support legs.
 Always lift the bed with 2 people whenever you need to change the bed frames position
 Keep any sharp objects away from the metal bed frame

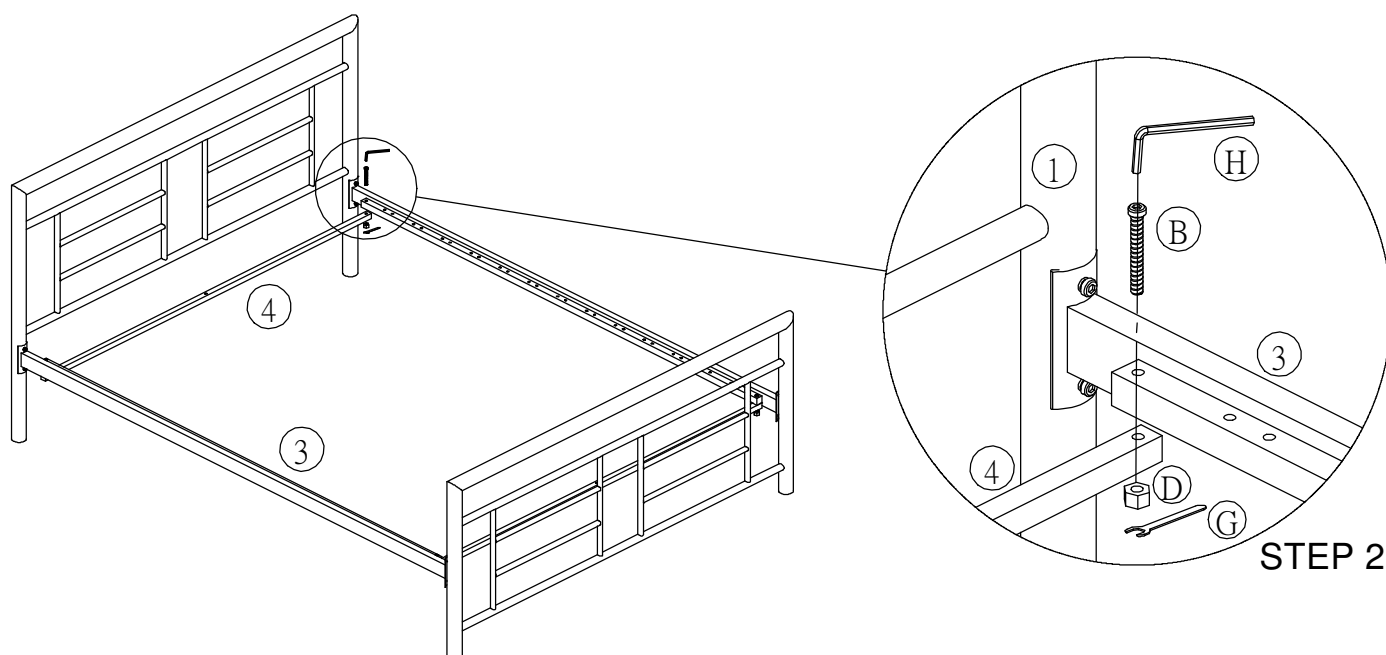


PARTS LIST			HARDWARE LIST		
NO	Item	Qty	NO	Item	Qty
1	Headboard	1	A	M8 x 25mm JCBC Screw 	8
2	Footboard	1	B	1/4"x 60mm JCBC Screw 	6
3	Side Rails	2	C	1/4"x 15mm JCBC Screw 	4
4	Cross Bar	2	D	Hex Nut 	6
5	Centre Rail	1	E	Double Slat Cap 	13
6	Support Legs	2	F	Single Slat Cap 	26
7	Bendwood Slats	26	G	SPANNER 	1
			H	M4 Allen Key 	1
			I	M5 Allen Key 	1

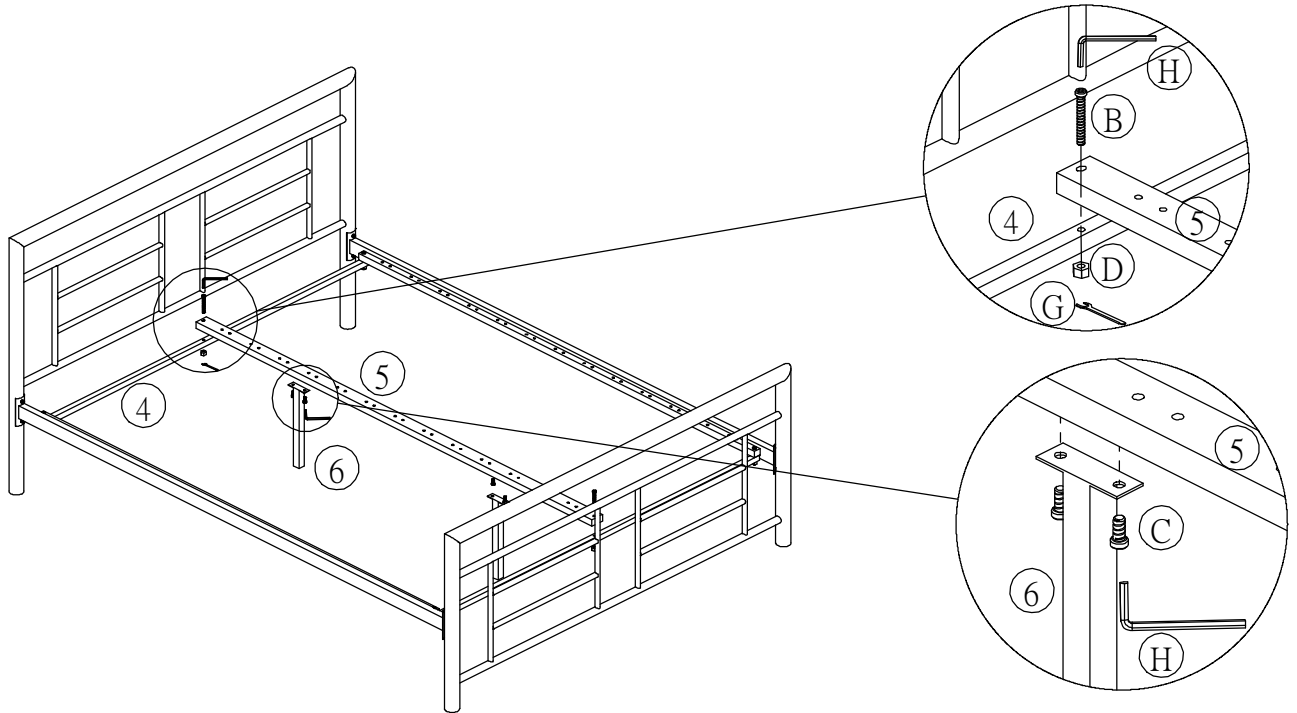
Step 1: Fix the side rails (3) to the headboard (1) and the footboard (2) using hardware part A and the M5 allen key (I)
 Do not fully tighten the screws until you have completed step 2 of the assembly
You will need to use the M5 allen key (I) as provided for this step of the assembly
DO NOT use any power tools as this may damage the frame and will invalidate any claims



Step 2: Attach the cross bars (4) to the side rails (3) using hardware parts B and D with the M4 allen key (H) and the spanner (G)
 Remember to fully tighten the screws attaching the side rails (3) to the headboard (1) and the footboard (2) using the M5 allen key (I)
You will need to use the M4 allen key (H), the M5 allen key (I) and the spanner (G) as provided for this step of the assembly
DO NOT use any power tools as this may damage the frame and will invalidate any claims



Step 3: Attach the support legs (6) to the centre rail (5) using hardware part C and the M4 allen key (H). Then attach the centre rail (5) to the cross bars (4) using hardware parts B and D with the M4 allen key (H) and the spanner (G)
You will need to use the M4 allen key (H) and the spanner (G) as provided for this step of the assembly
DO NOT use any power tools as this may damage the frame and will invalidate any claims



Step 4: Assemble the slats (7) as shown in the diagrams below and press the slat caps (F+E) firmly into the side rails (3) and the centre rail (5)
DO NOT use any power tools as this may damage the frame and will invalidate any claims

