



# Birlea

Suppliers of inspiration

Vendor: S000084



## **ASSEMBLY INSTRUCTIONS** **VICTORIA 5' BED**

**IMPORTANT: READ THESE INSTRUCTIONS CAREFULLY BEFORE ATTEMPTING TO ASSEMBLE OR USE YOUR VICTORIA 5' BED FRAME**

**PLEASE KEEP THESE INSTRUCTIONS FOR FUTURE REFERENCE**

### **HEALTH & SAFETY:**

DO NOT jump on this bed frame

DO NOT use this bed frame if any parts are missing, damaged or worn

DO NOT use this bed frame unless all fixings are secured

Always use on a level, even surface

**WARNING: If this bed is placed on a laminated floor you must place some protection under all legs to stop the bed frame from moving. If this is not adhered to there is no guarantee if the bed frame collapses**

### **CARE & MAINTENANCE:**

Periodically check all screws & fixings to ensure they are secure

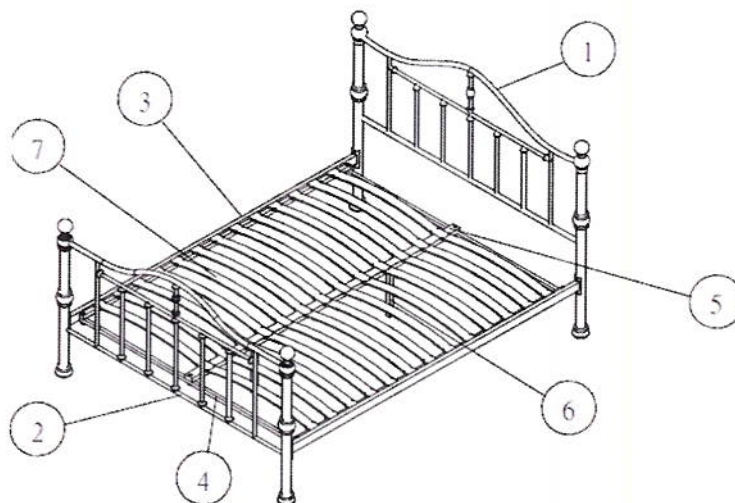
DO NOT push the bed frame as this will damage the legs

Always lift the bed with two people to reposition

Keep any sharp objects away from the frame



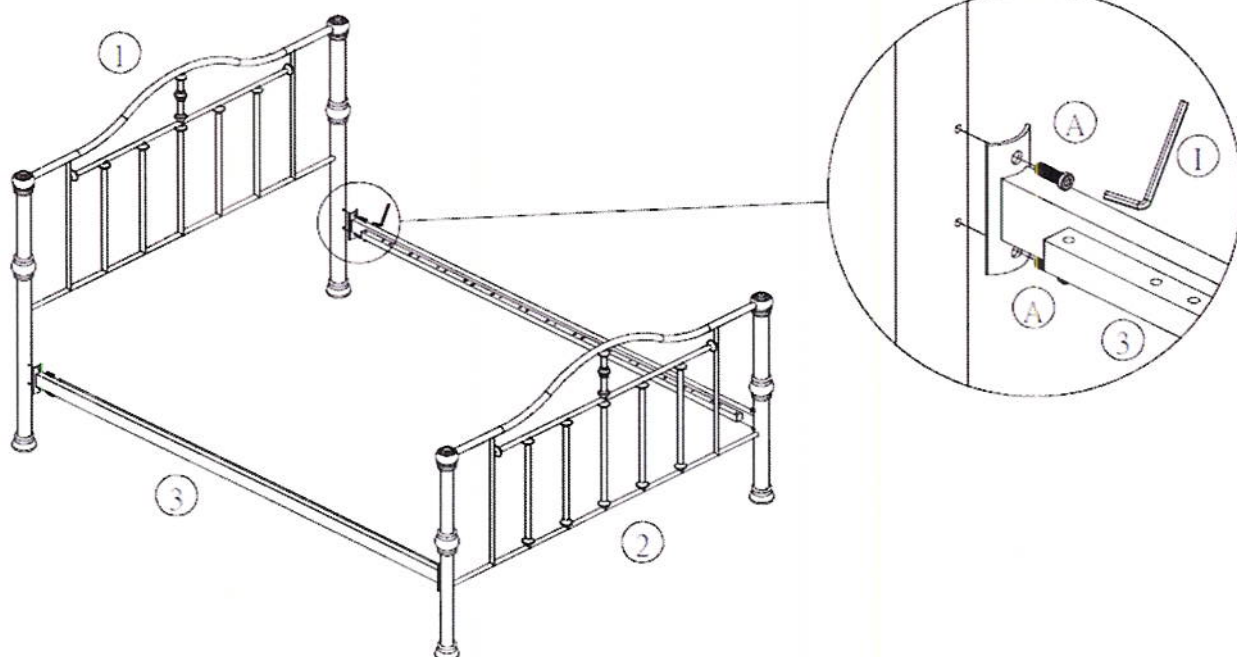
[www.birlea.com](http://www.birlea.com)



Parts List			Hardware List		
Part	Description	Qty	Part	Description	Qty
1	Headend	1	A	M8 x 25mm JCBC Screw	8
2	Footend	1	B	1/4" x 60mm JCBC Screw	6
3	Side Rail	2	C	1/4" x 15mm JCBC Screw	4
4	Cross Bar	2	D	Hex Nut	6
5	Centre Rail	1	E	Double Slat Cap	13
6	Support Leg	2	F	Single Slat Cap	26
7	Slat	26	G	Finial	4
			H	M4 Allen key	1
			I	M5 Allen key	1
			J	Spanner	1

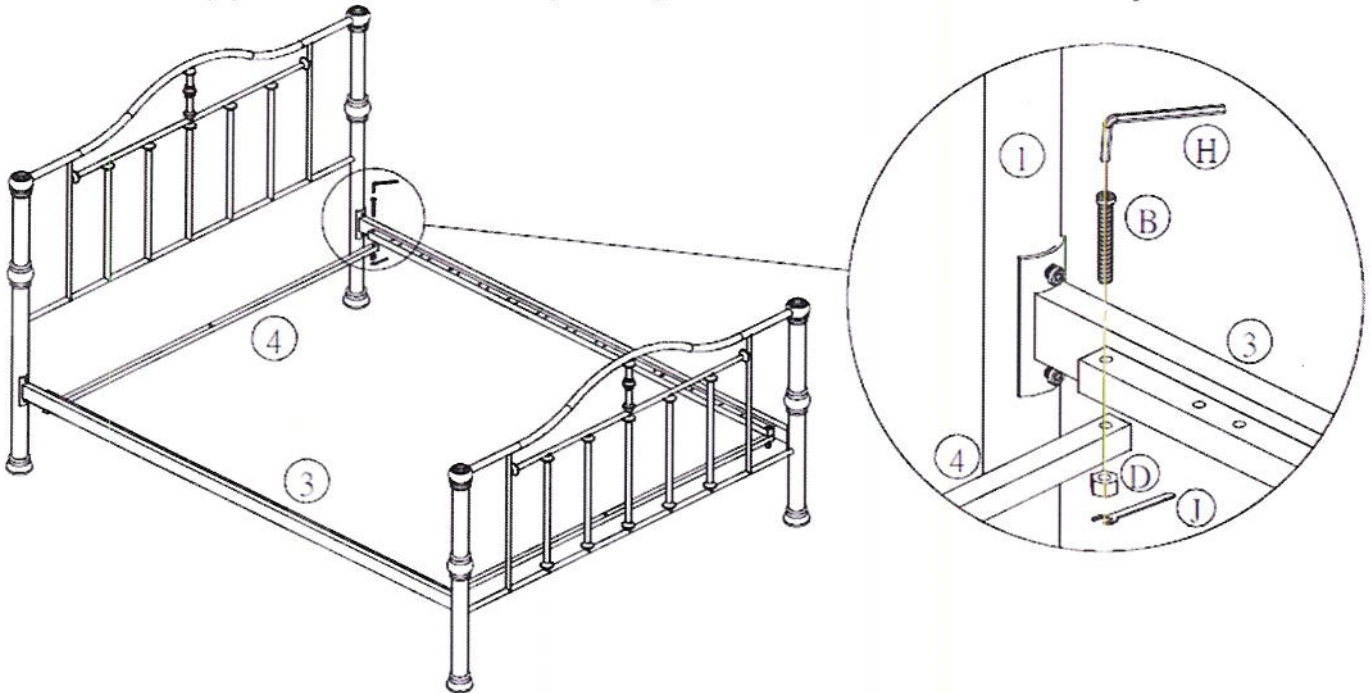
**Step 1:** Fix the side rails (3) to the headend (1) and footend (2) using hardware parts A and I but do not fully tighten the screws until after step 2

**DO NOT use any power tools as this may damage the frame and will invalidate any claim**



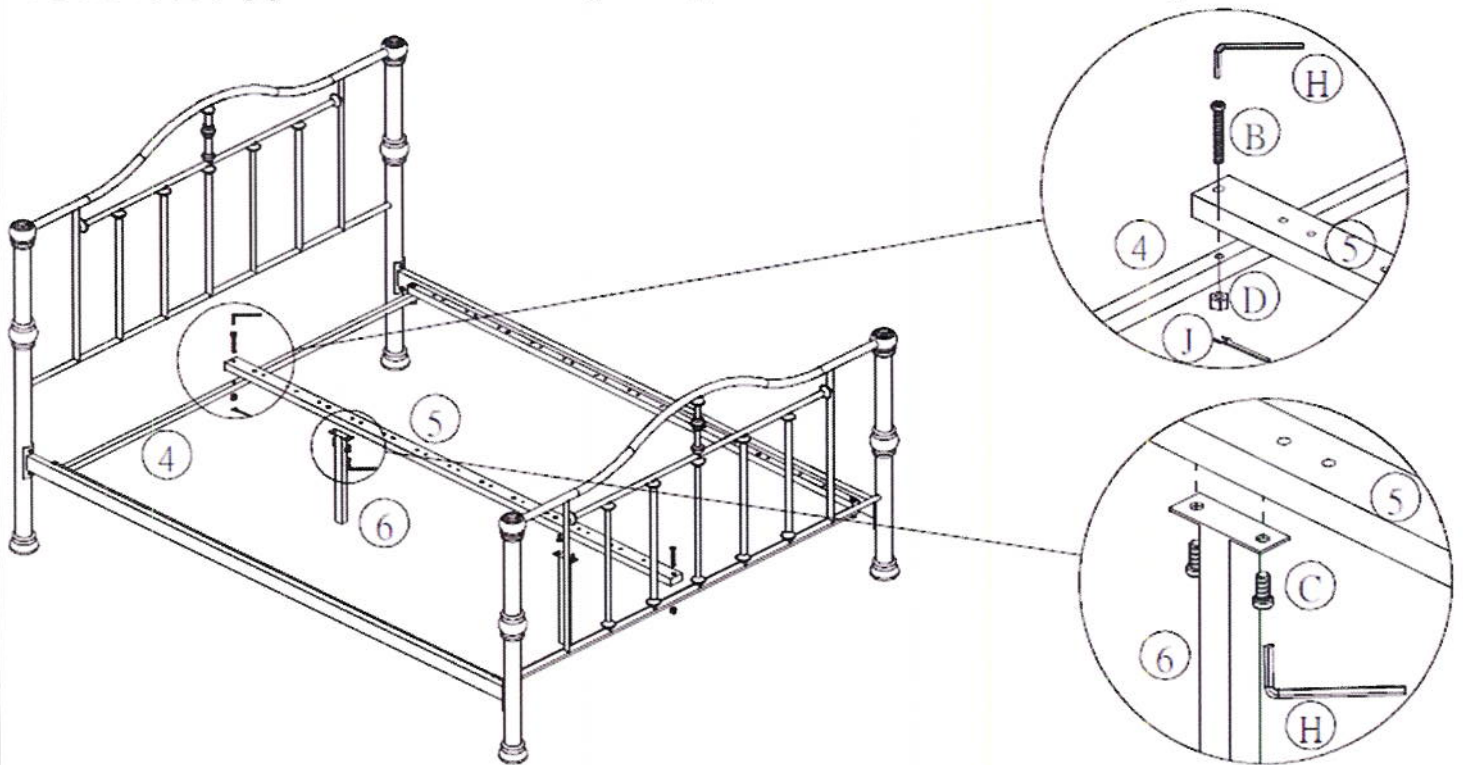
**Step 2:** Attach the cross bars (4) to the side rails (3) using hardware parts B, D, H and J. Fully tighten the screws from step 1

**DO NOT use any power tools as this may damage the frame and will invalidate any claim**

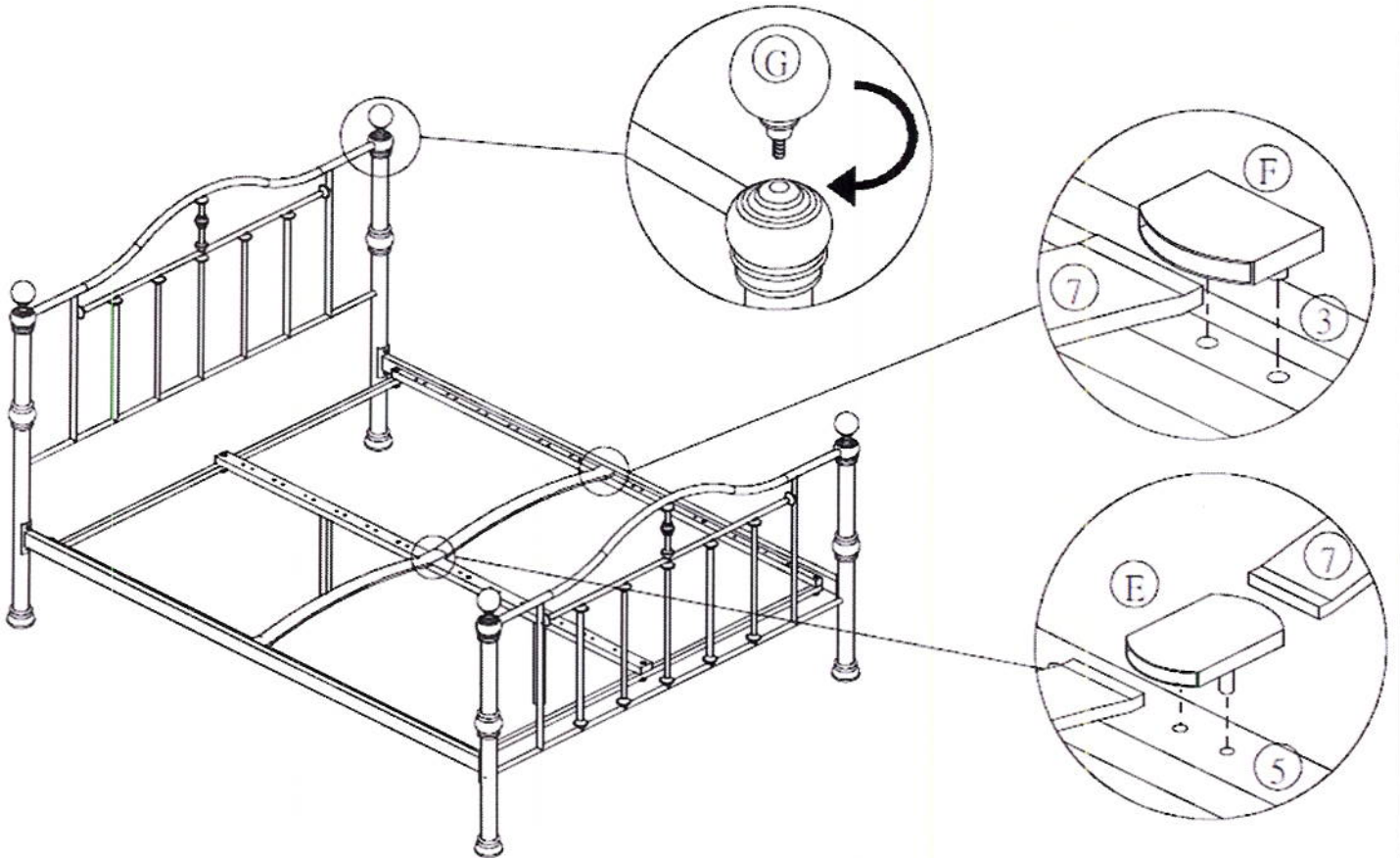


**Step 3:** Attach the support legs (6) to the centre rail (5) using hardware parts C and H then attach the centre rail (5) to the cross bars (4) using hardware parts B, D, H and J

**DO NOT use any power tools as this may damage the frame and will invalidate any claim**



**Step 4:** Attach the slats (7) as shown, pressing hardware parts E and F firmly into the side rails (3) and centre rail (5). Fix hardware part G into position on the headend (1) and footend (2)



For complete product information, images and dimension diagrams please visit [www.birlea.com](http://www.birlea.com)



**Birlea**

Suppliers of inspiration