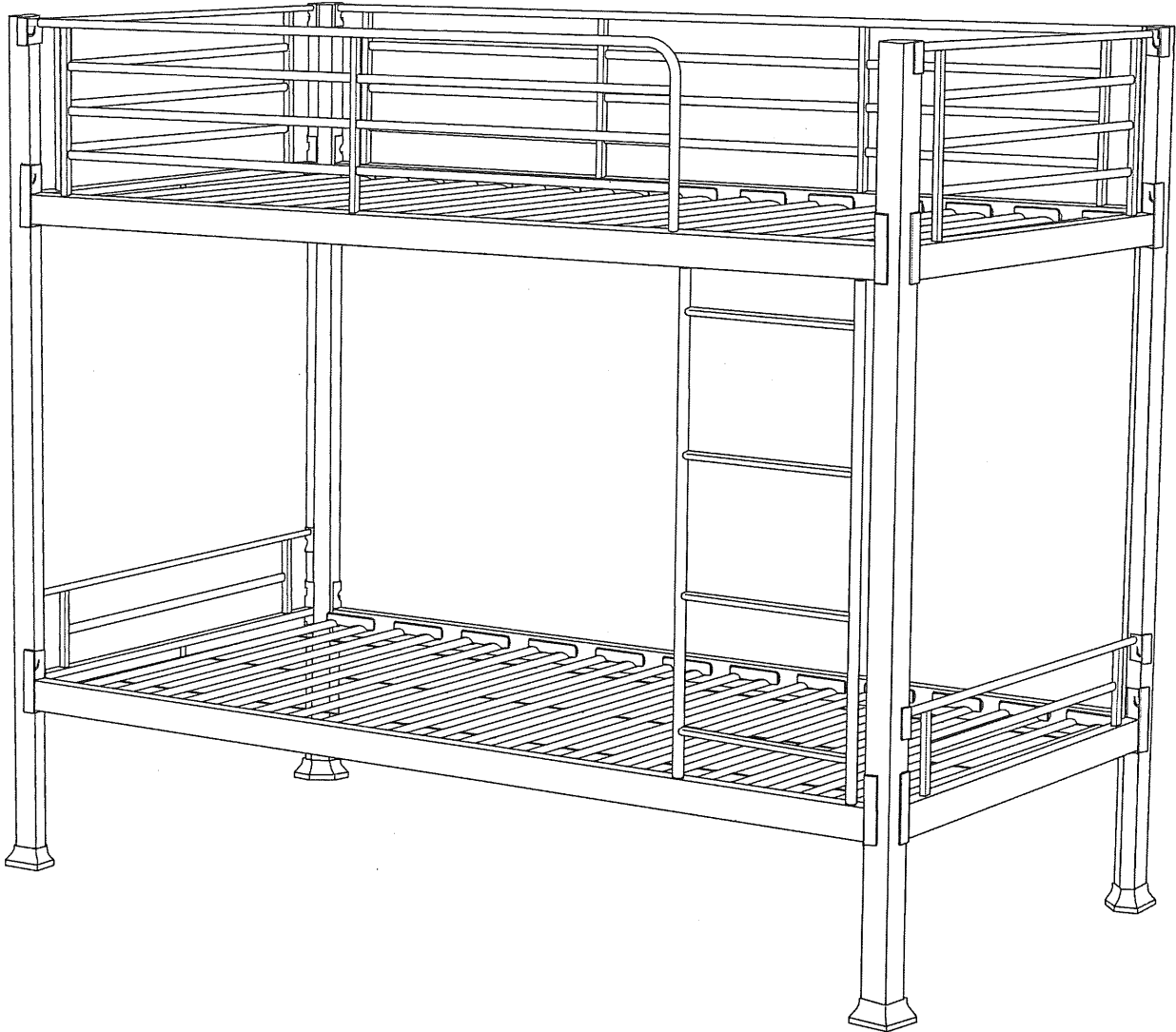


Bunk Bed

Assembly Instructions - Please keep for future reference



Safety and Care Advice

- Important: Please read these instructions fully before starting assembly.
- Do not discard any of the packaging until you have checked that you have all the parts and the pack of fittings.
- Assemble this product on a flat and protected surface.
- At least 2 people are required to assemble this product.
- Assemble this product in the room intended for use.

Warnings:

- This product should only be used on firm, level ground.

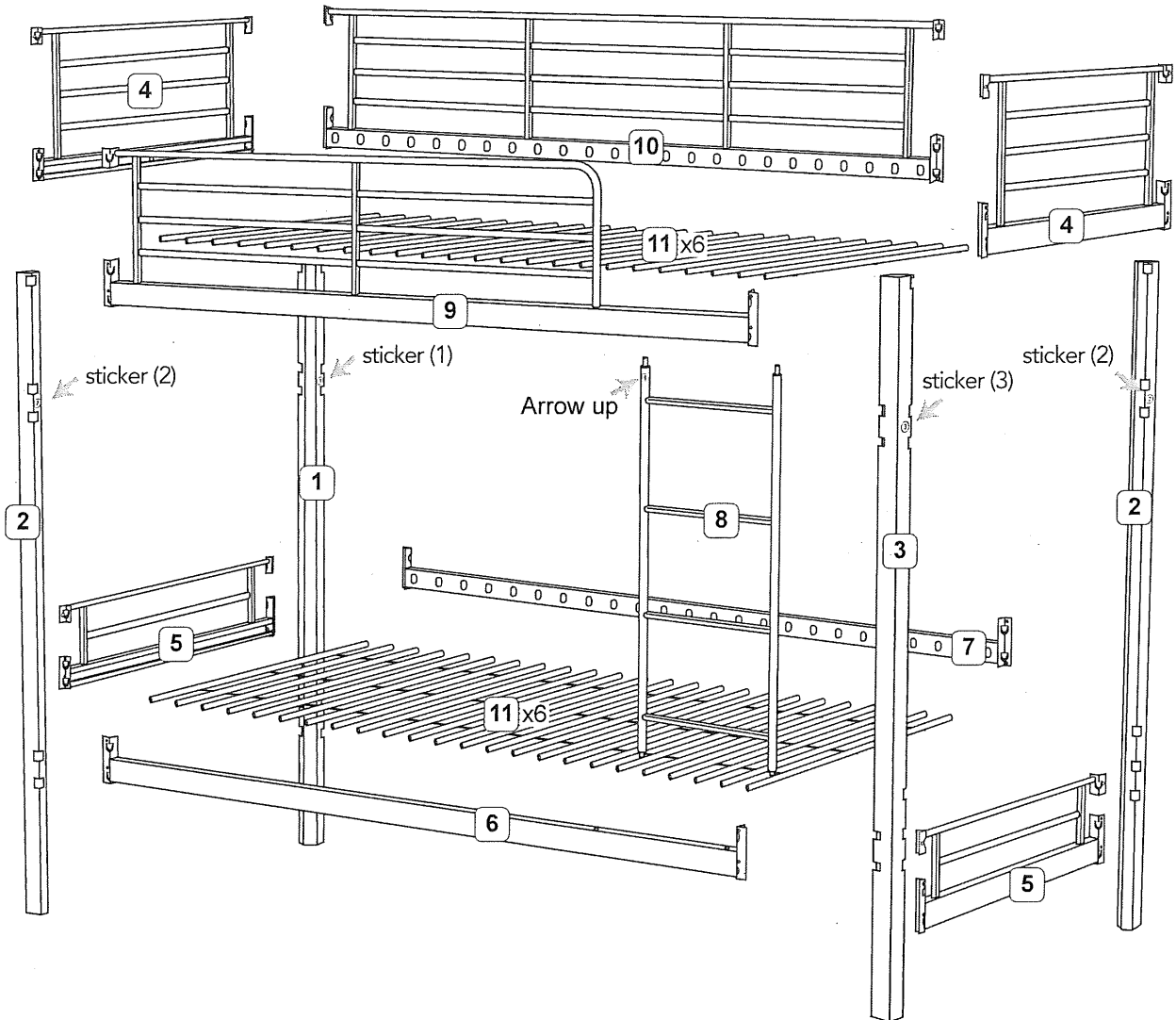
- Make sure the legs remain in contact with the ground.
- Do not stand on the product.

Care and maintenance:

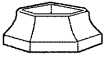
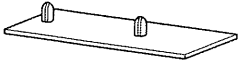
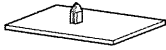


- Please clean the product using either damp (not wet) cloth and a mild domestic soap solution or by using an appropriate polish.
- Do not use abrasive materials when cleaning.
- From time to time, check that parts connections are tight and in place.

Parts List

- | | |
|---|-----------------------------------|
| 1 BACK LEFT END POST - 1 pc. | 7 LOWER BACK RAIL - 1 pc. |
| 2 FRONT LEFT/BACK RIGHT END POST - 2 pcs. | 8 LADDER - 1 pc. |
| 3 FRONT RIGHT END POST - 1 pc. | 9 UPPER FRONT SAFETY RAIL - 1 pc. |
| 4 UPPER SIDE RAIL - 2 pcs. | 10 UPPER BACK SAFETY RAIL - 1 pc. |
| 5 LOWER SIDE RAIL - 2 pcs. | 11 SLAT - 12 pcs. |
| 6 LOWER FRONT RAIL - 1 pc. | |



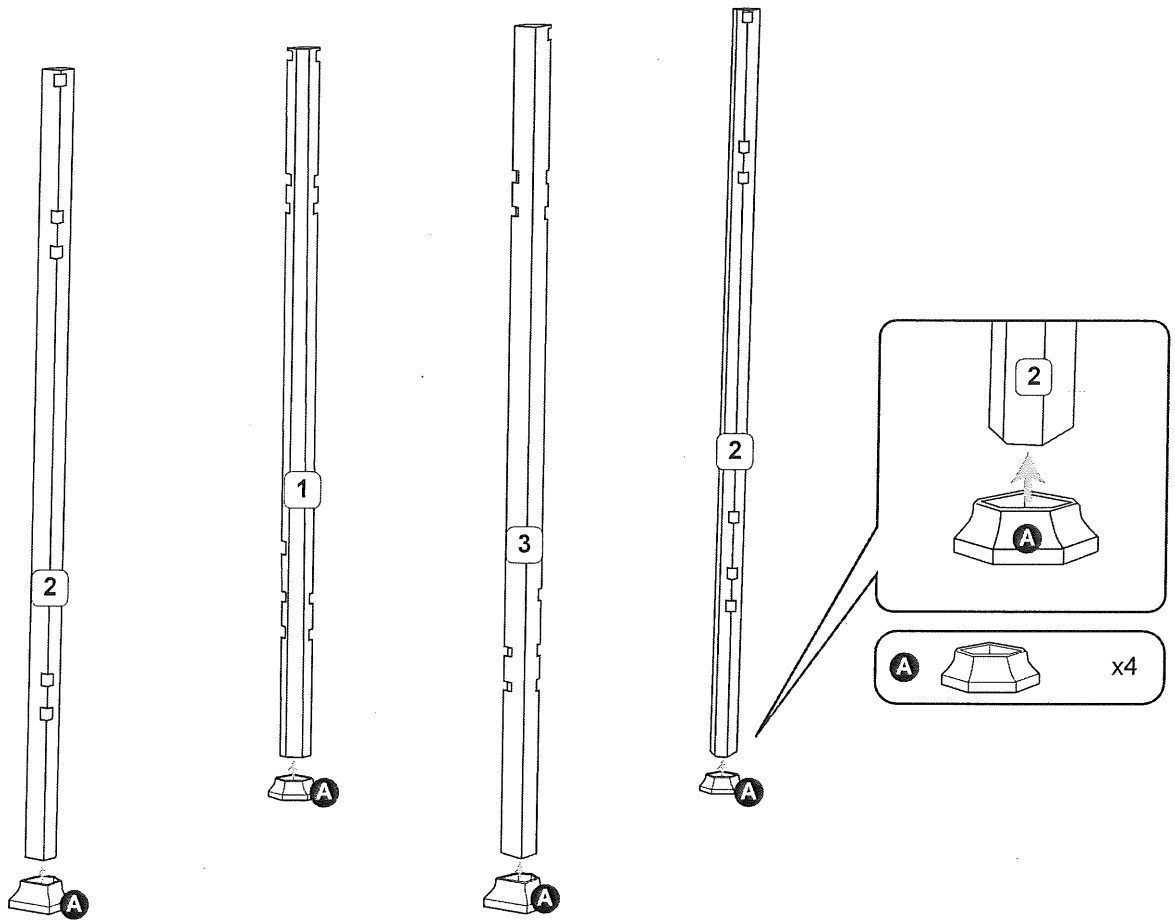
Fittings List

<p>A </p> <p>FOOTING - 4 pcs.</p>	<p>B </p> <p>LONG CAP - 16 pcs.</p>	<p>C </p> <p>SHORT CAP - 11 pcs.</p>
<p>D </p> <p>WASHER - 4 pcs.</p>	<p>E </p> <p>SLAT CAP - 48 pcs.</p>	

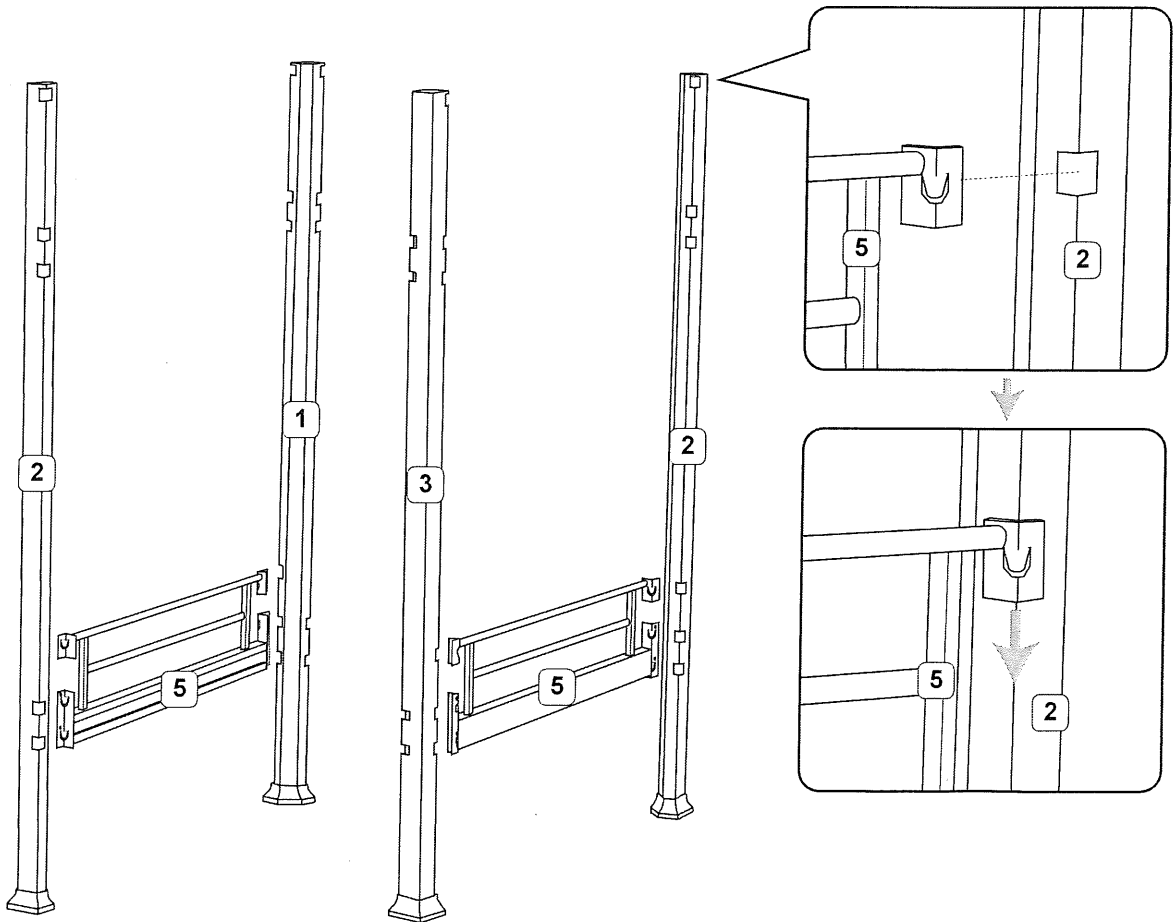
Additional Tools Required



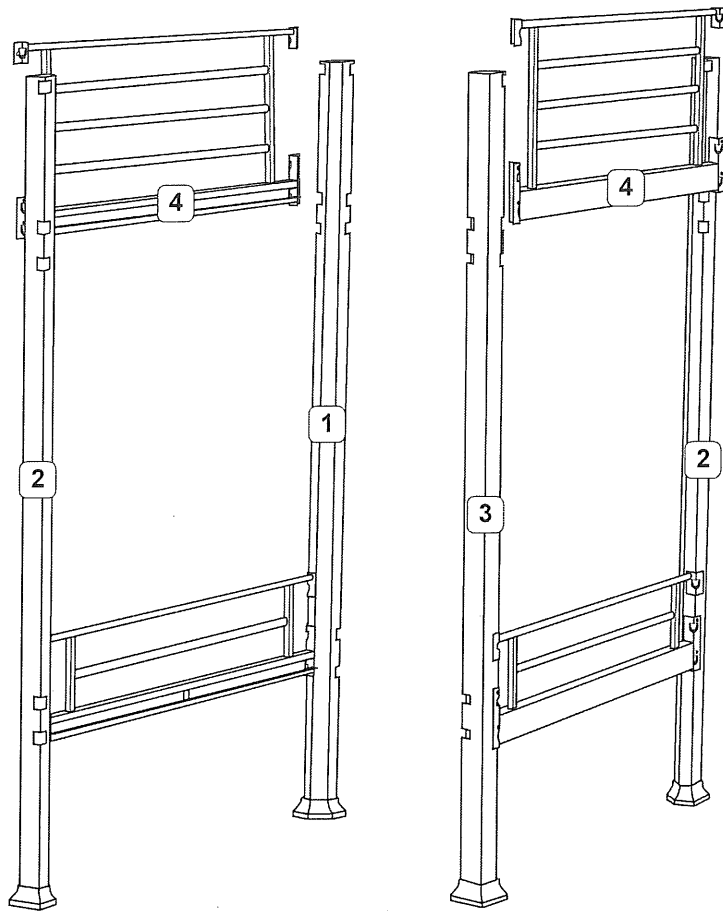
Step 1



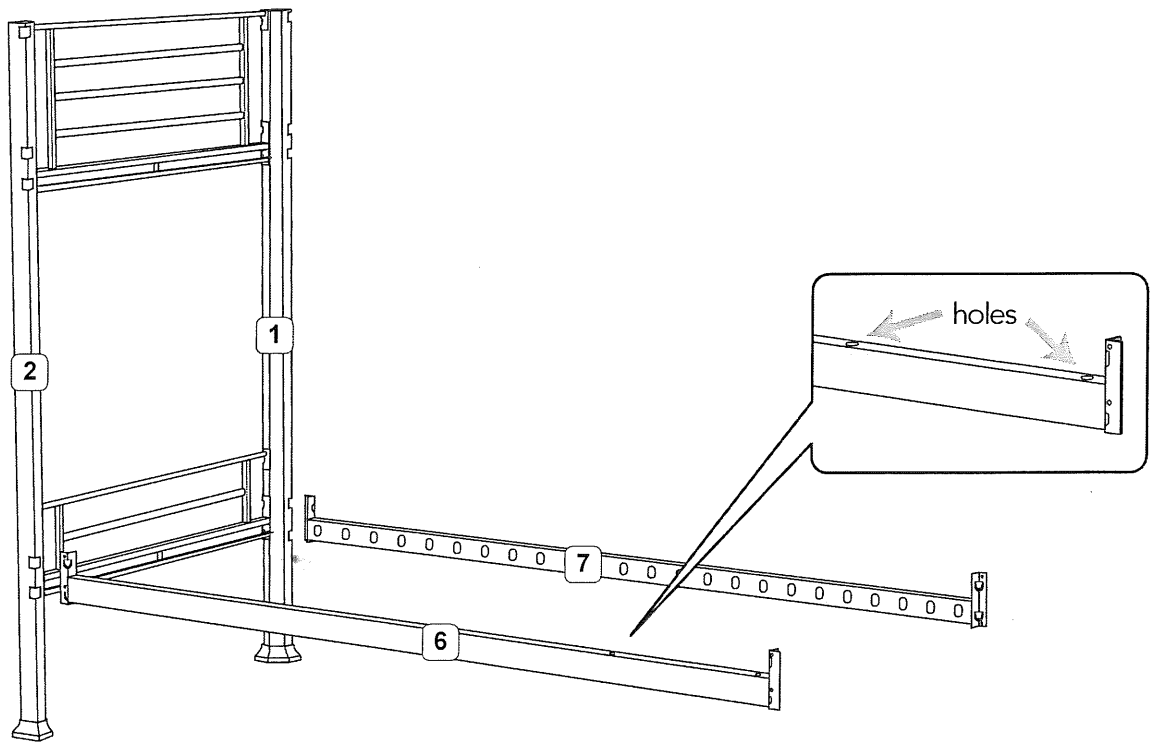
Step 2



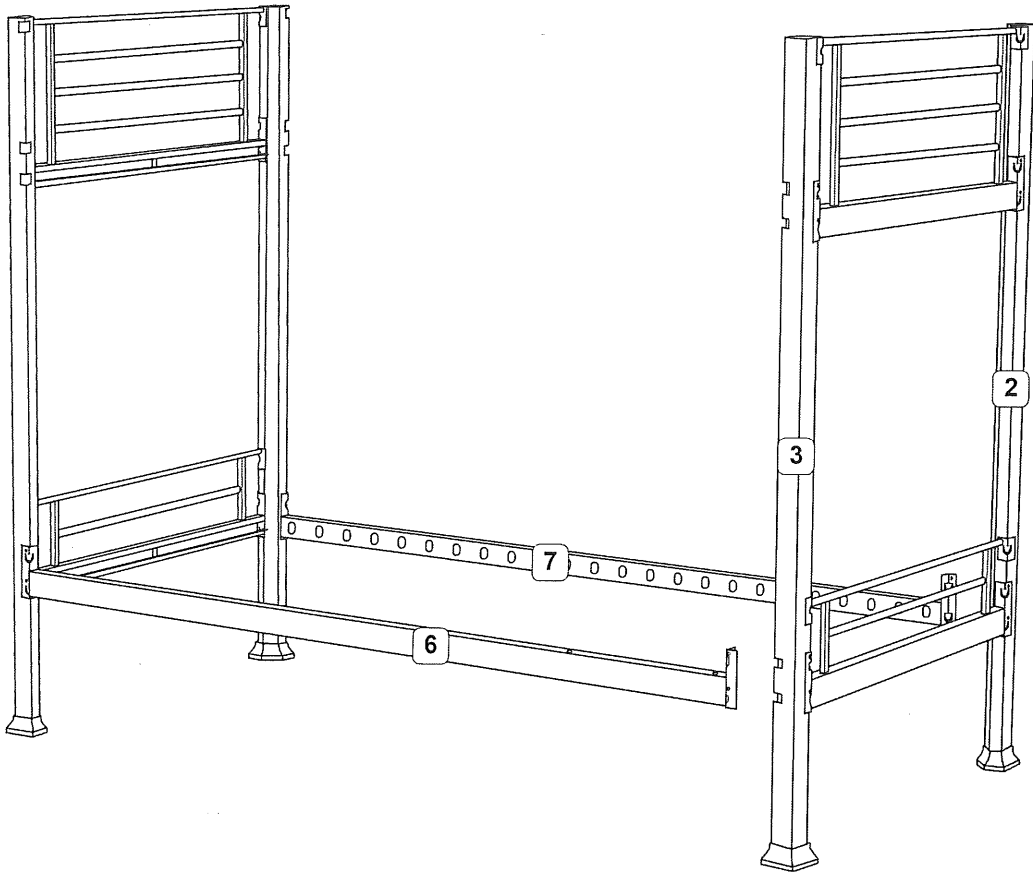
Step 3



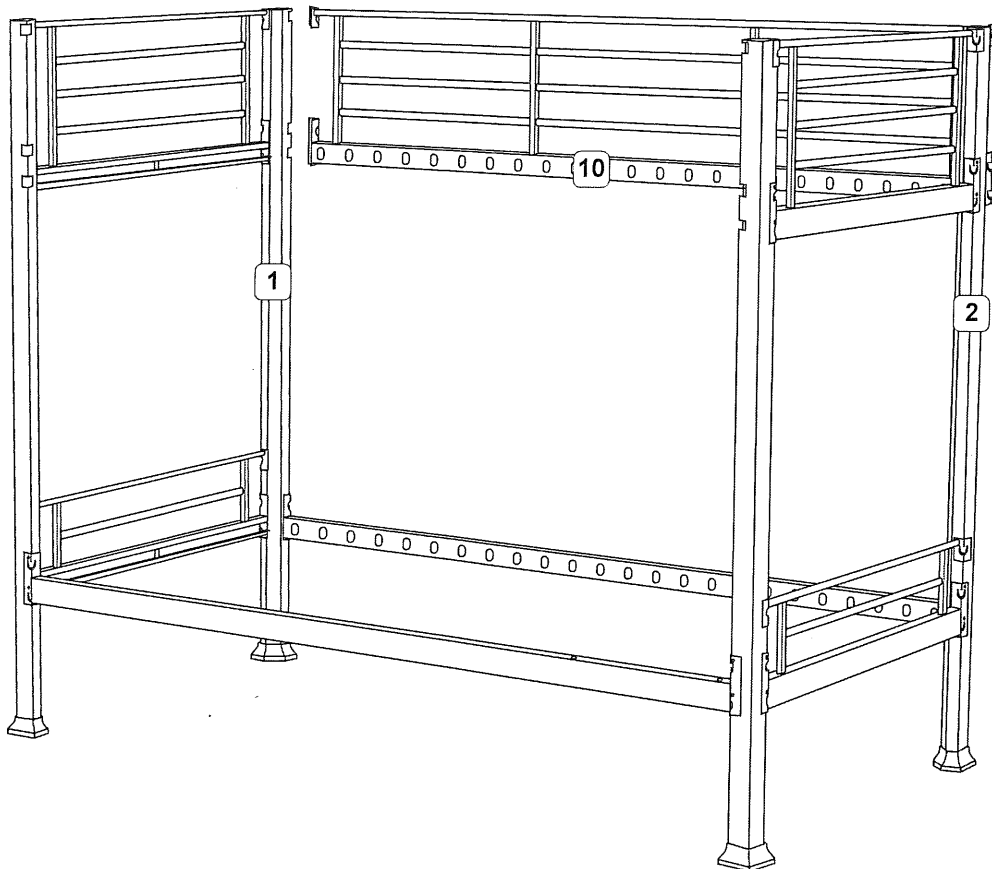
Step 4



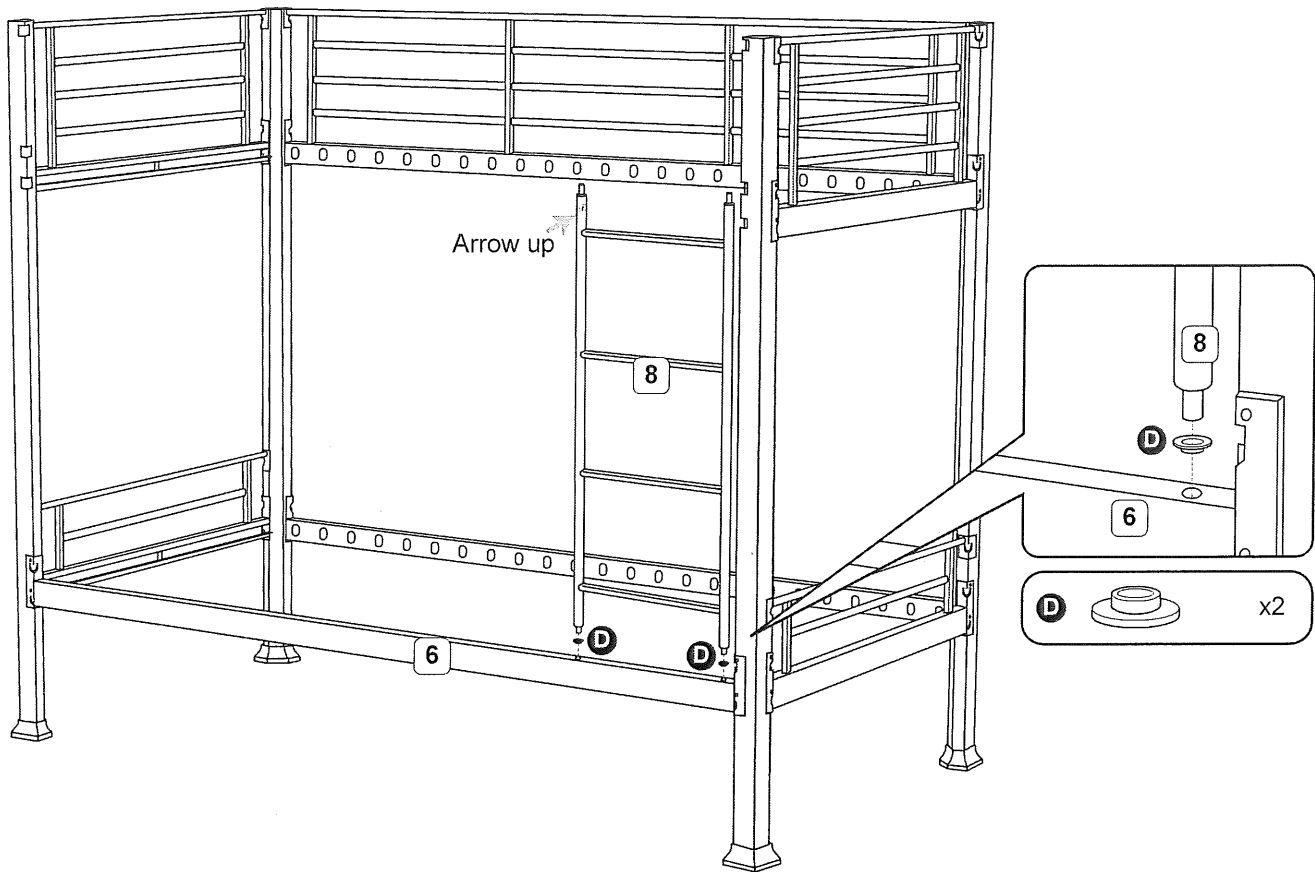
Step 5



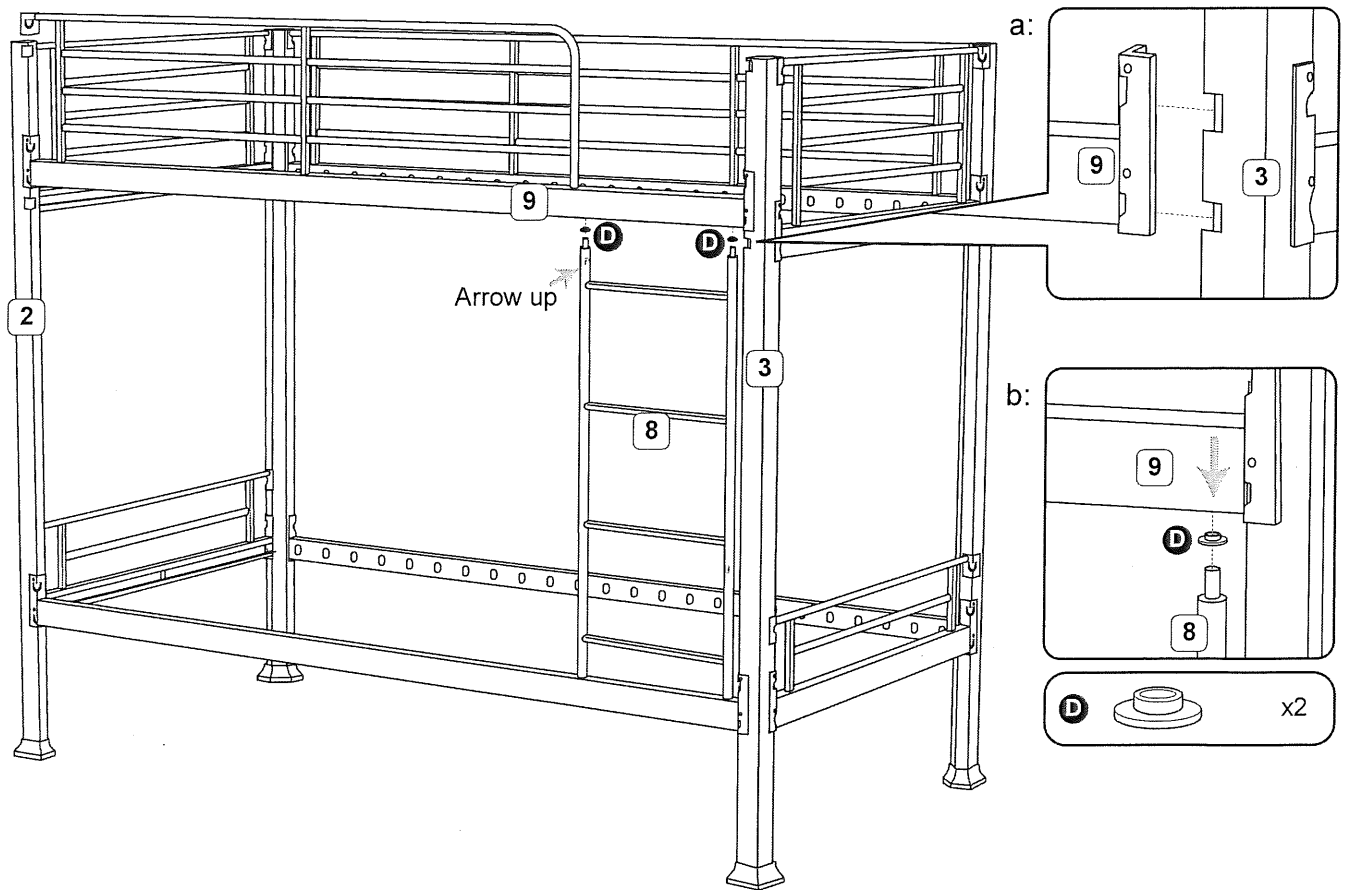
Step 6



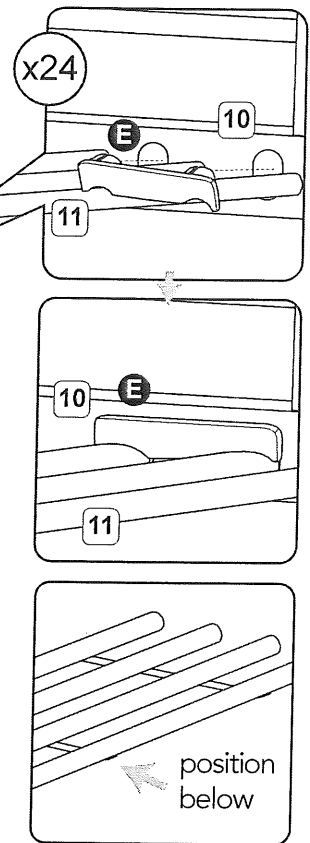
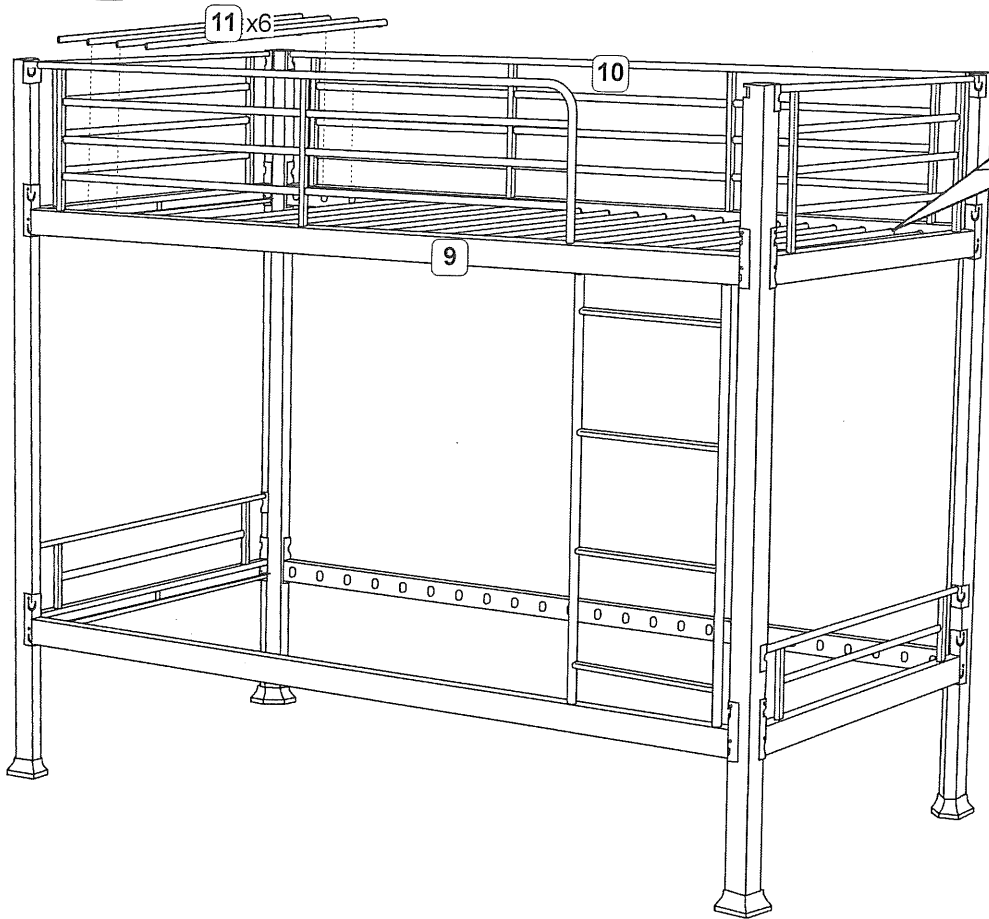
Step 7



Step 8

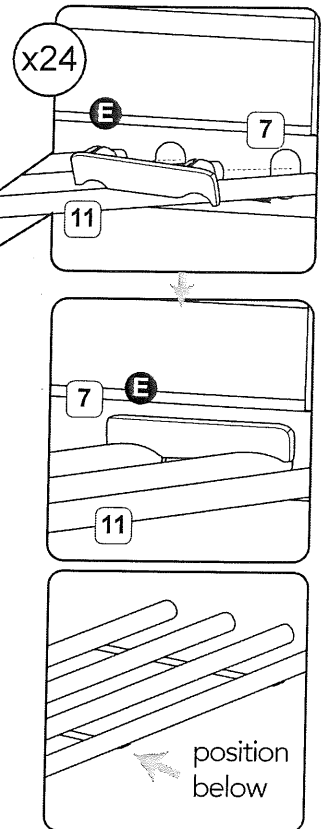
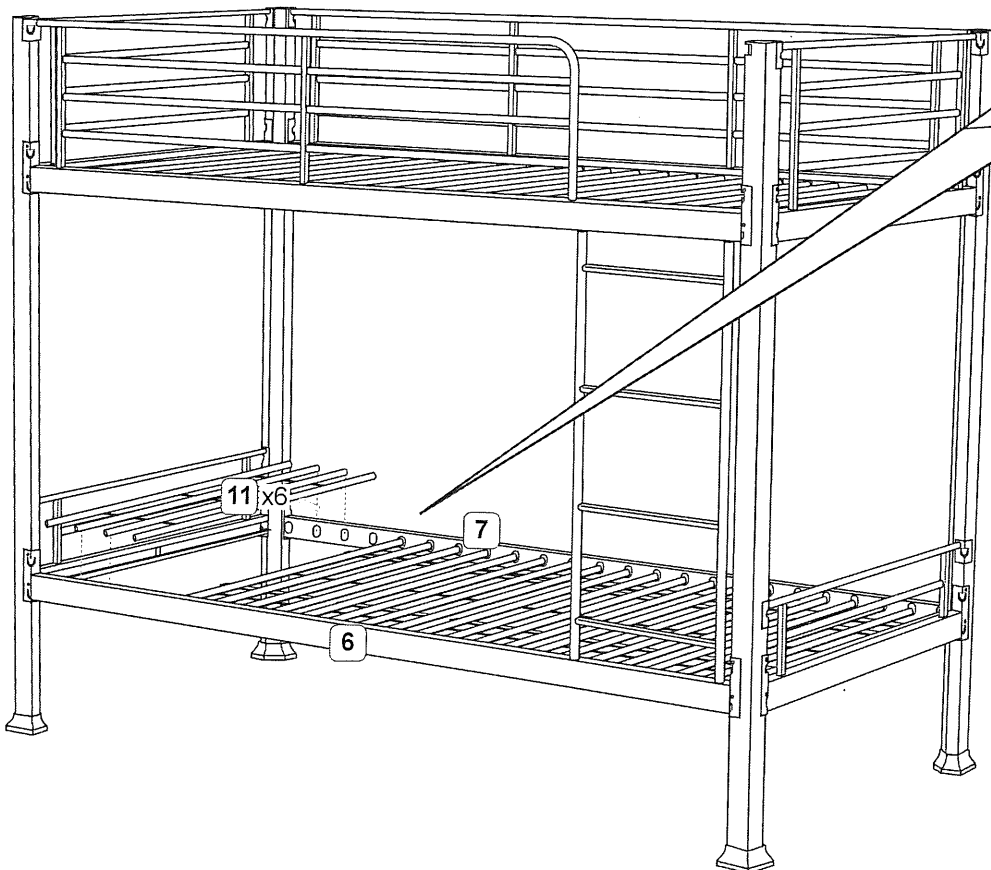


Step 9



Note: Position the horizontal rail below when attaching the slats onto the bed as shown.

Step 10



Note: Position the horizontal rail below when attaching the slats onto the bed as shown.

