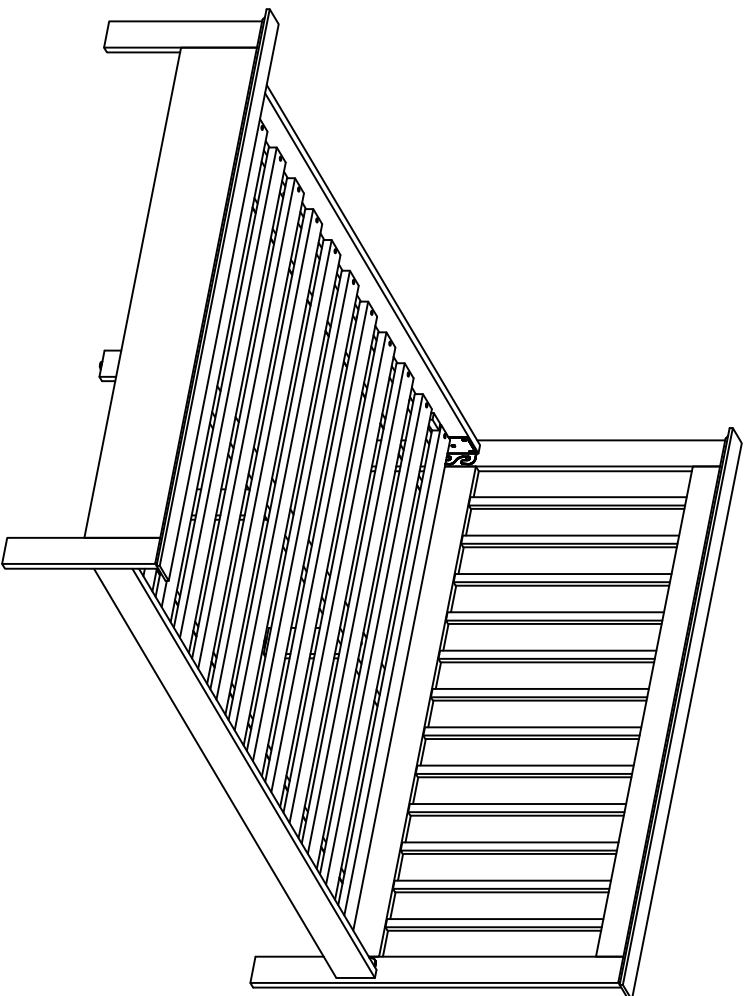
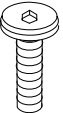





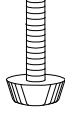



# ASSEMBLY INSTRUCTIONS

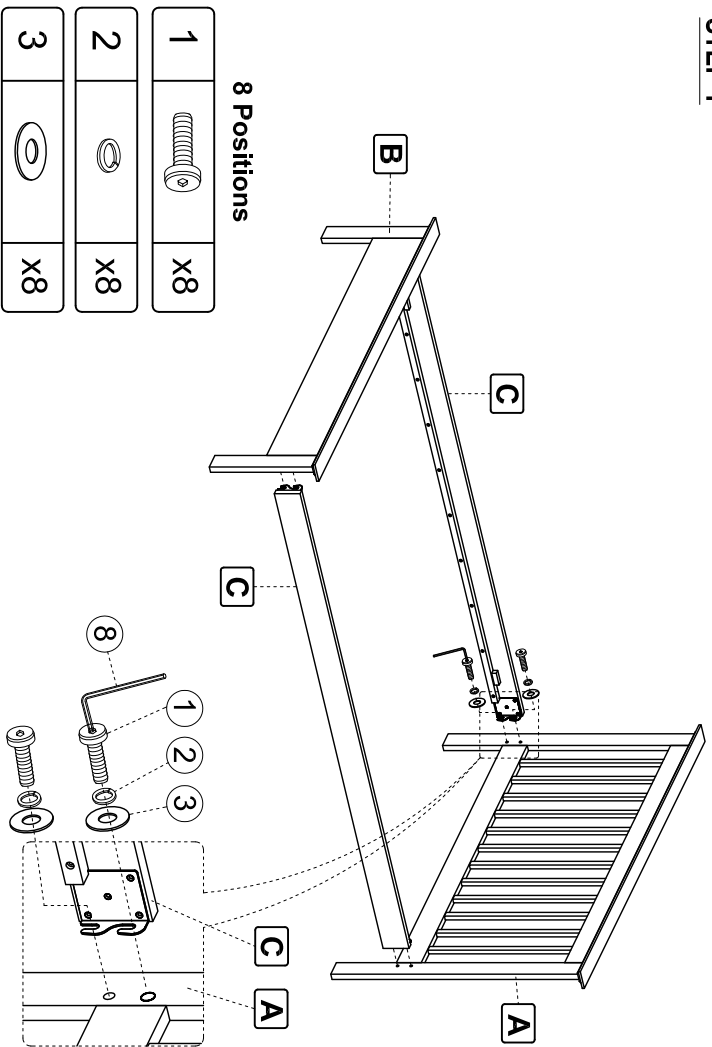


## PART LIST

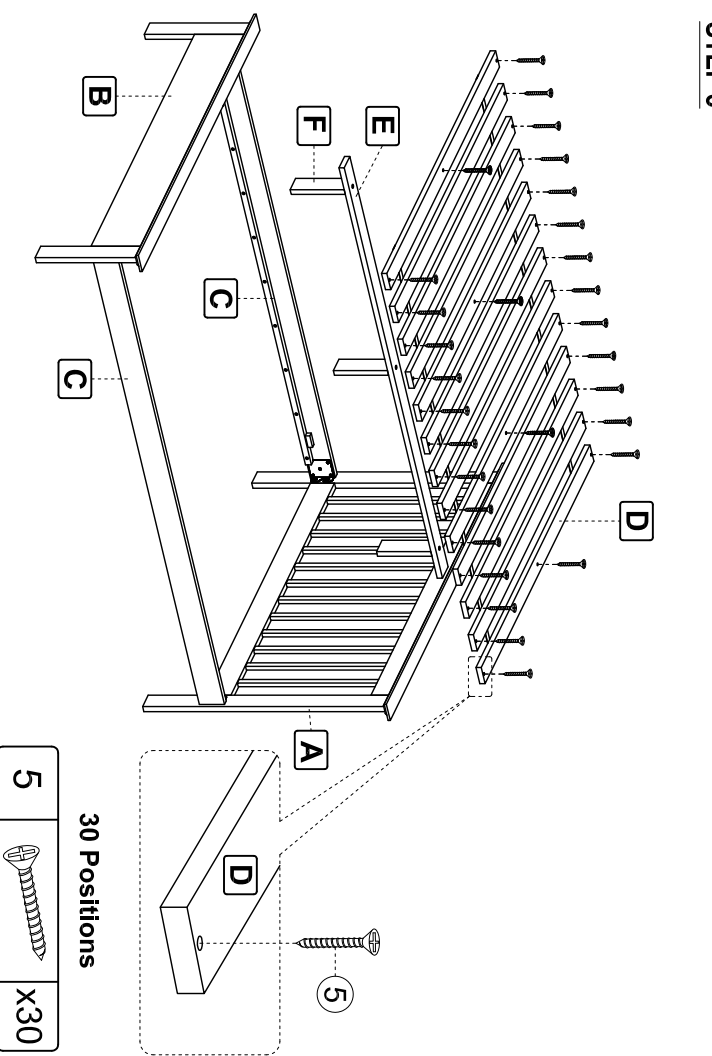
ITEM	DESCRIPTION	QTY	ITEM	DESCRIPTION	QTY
A	HEAD BOARD	1pc	D	ROLL SLAT	1pc
B	FOOT BOARD	1pc	E	SUPPORT BAR (1)	1pc
C	BED RAIL	2pcs	F	SUPPORT LEG	3pcs

ITEM	HARDWARE LIST	QTY
1	(Ø8x20 mm) HEXAGON BOLTS 	8pcs
2	Ø8 SPRING WASHER 	8pcs
3	Ø8 FLAT WASHER 	8pcs
4	(Ø7x45 mm) ALLEN HEAD SCREW 	3pcs
5	Ø4x30 mm SCREW 	30pcs
6	Ø10 x 40mm WOOD DOWEL 	6pcs
7	(Ø6x25 mm) STANDER 	3pcs
8	K4 HEX KEY 	1pc

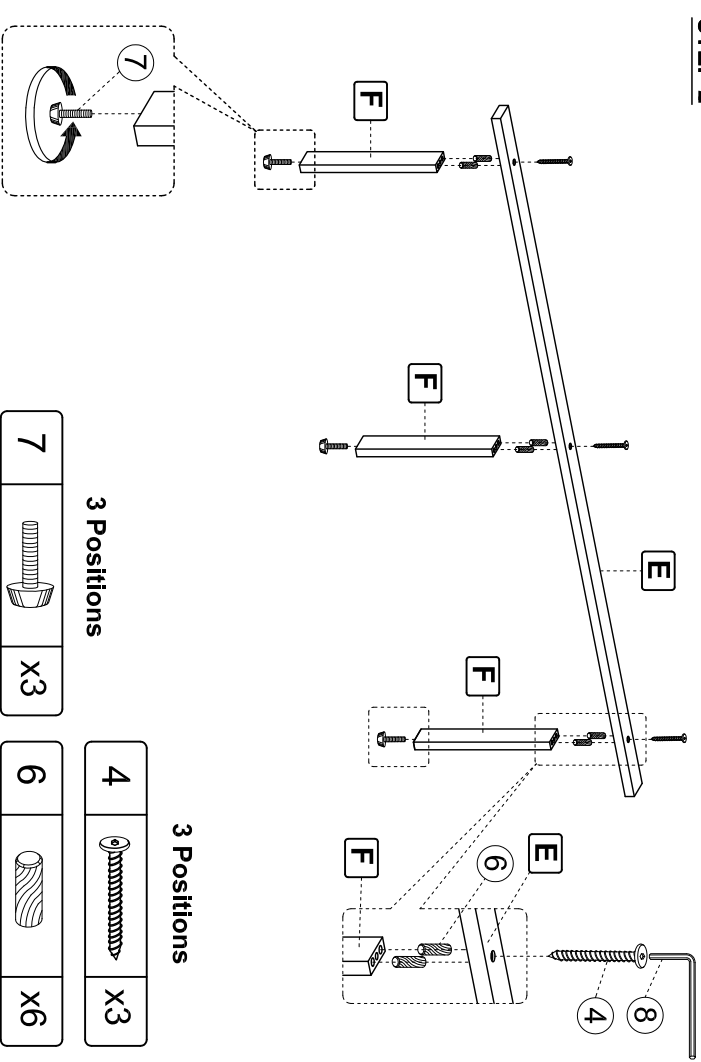
**STEP 1**



**STEP 3**



**STEP 2**



**FINISH**

