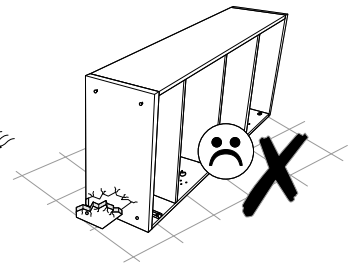
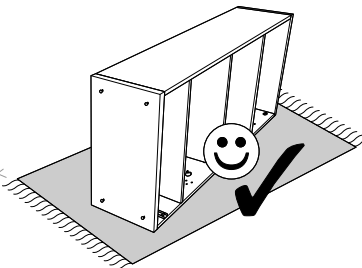
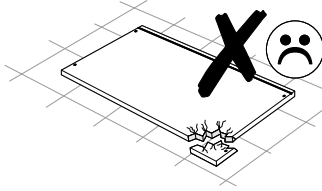
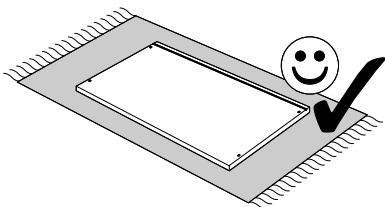
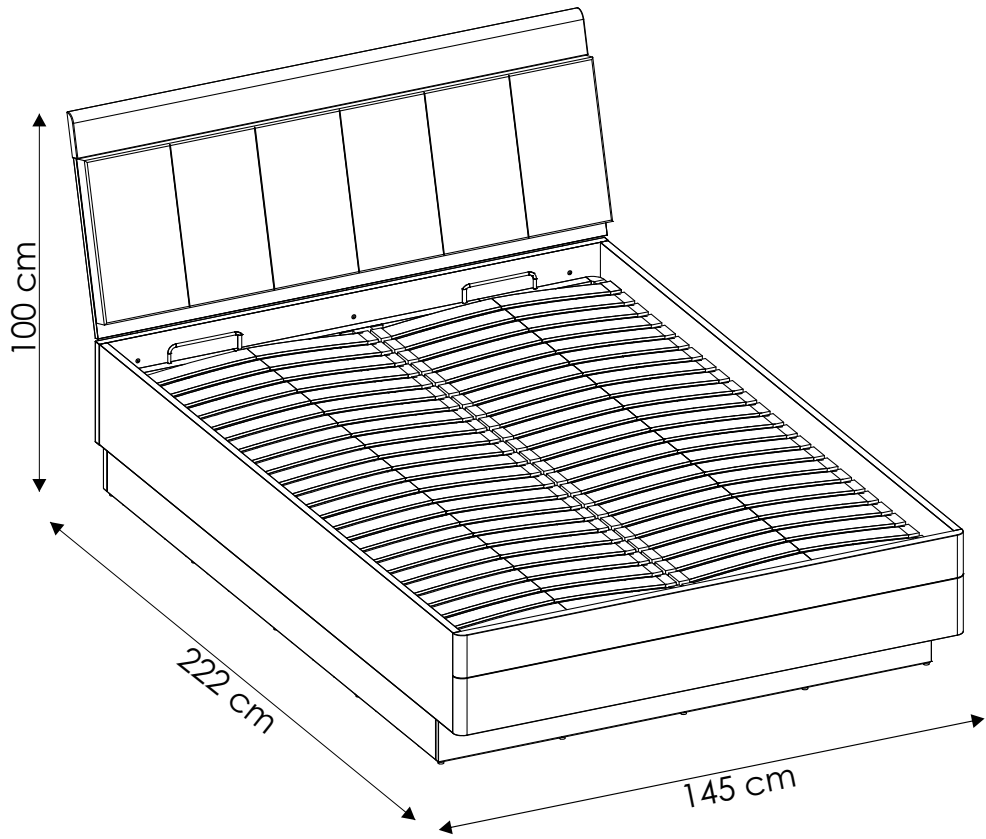
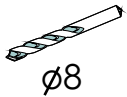
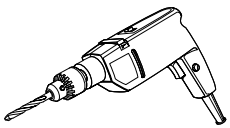
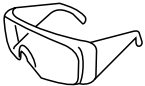
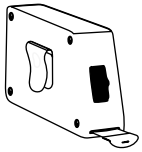
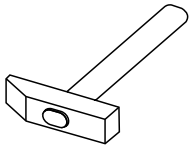
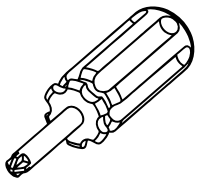
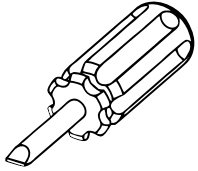
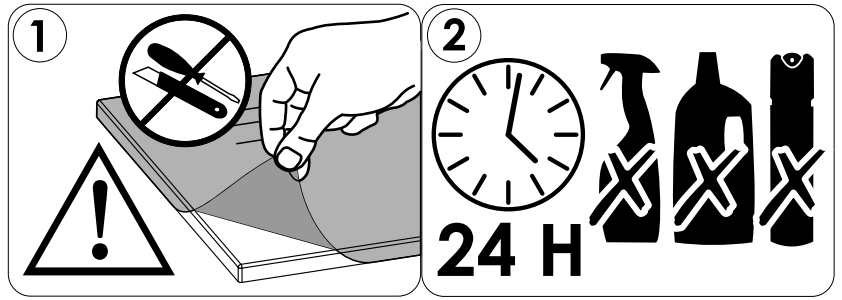
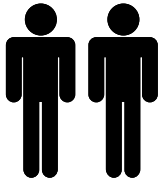
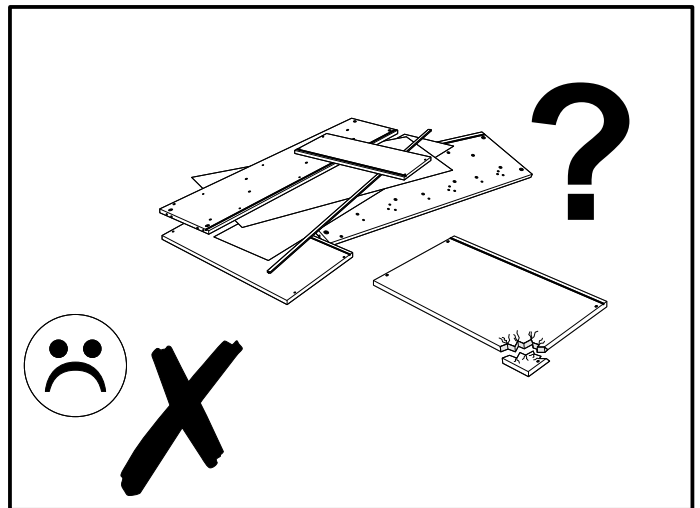
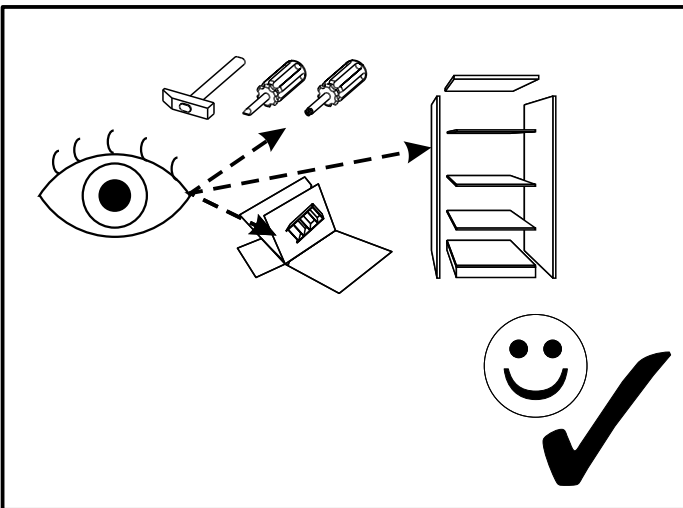
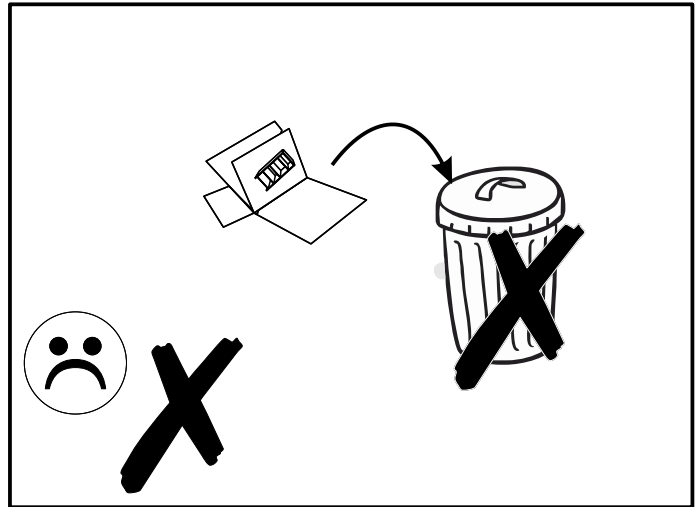
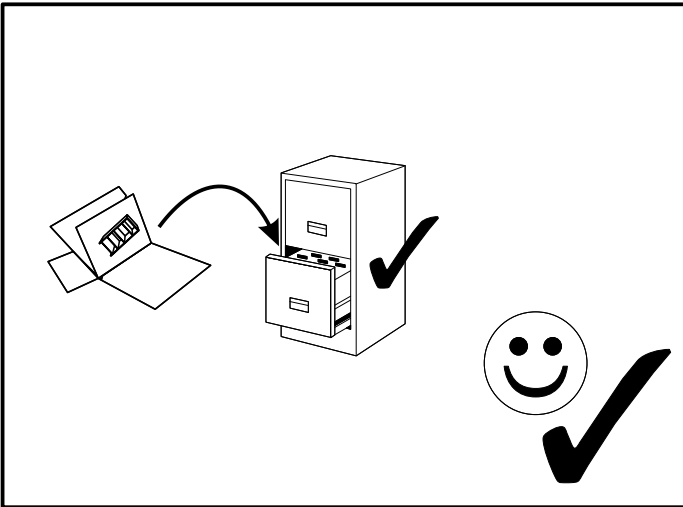
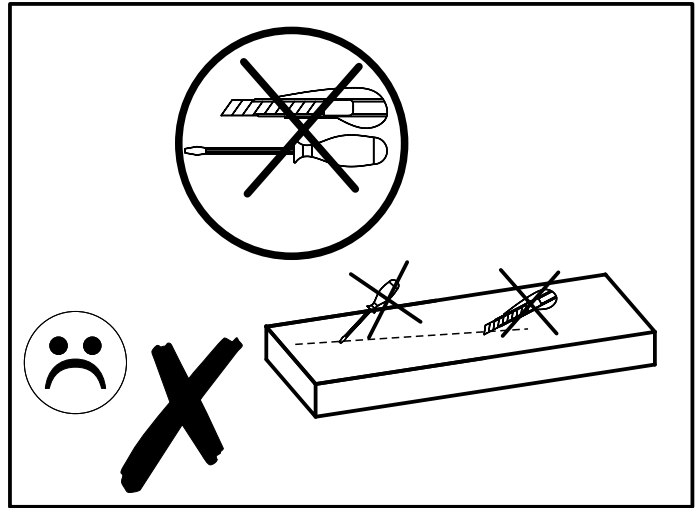
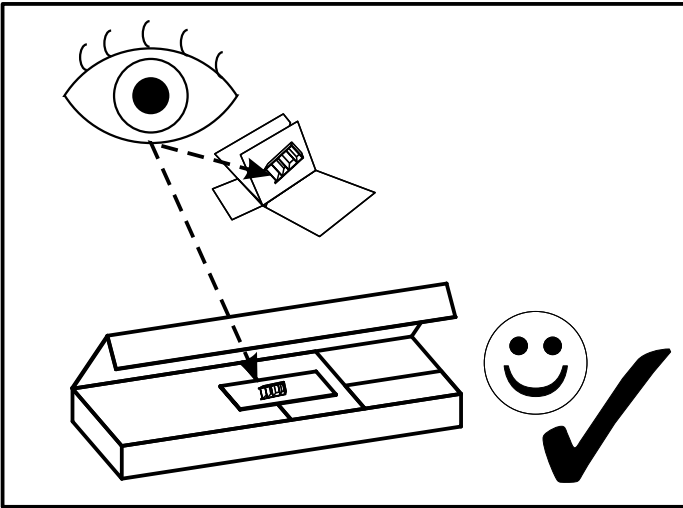
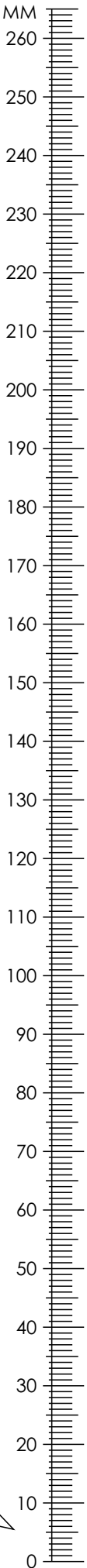


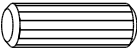




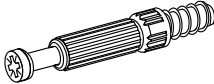


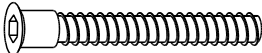
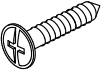


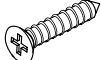
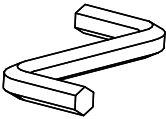
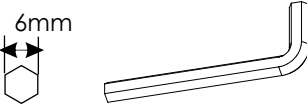
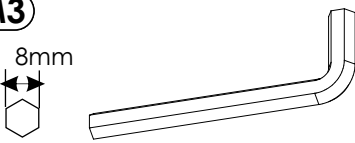

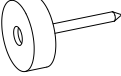
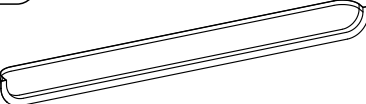
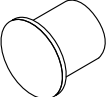

4309167

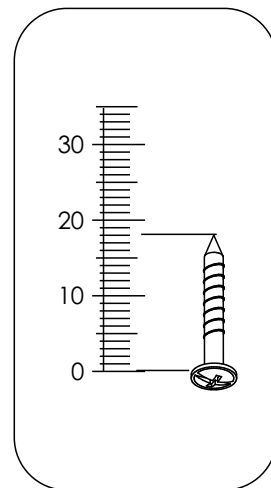




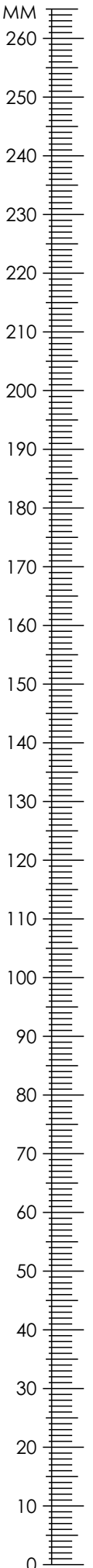
MONACO MOAL01

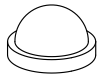


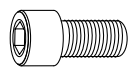



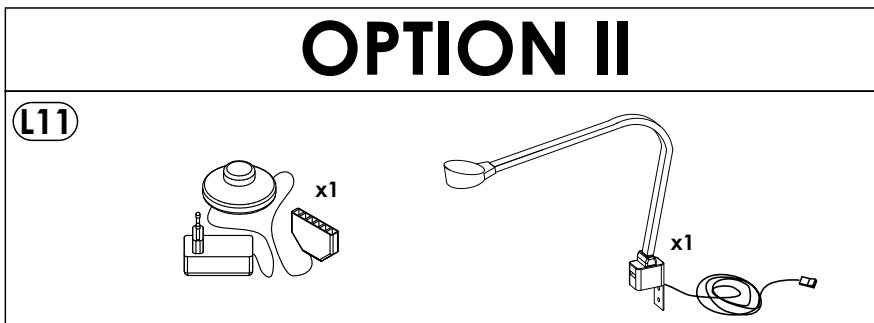
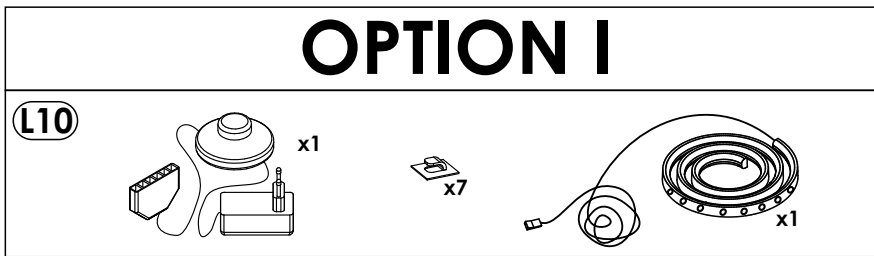
A0 ø8 x 24 mm x34 	A1 ø8 x 35 mm x40 	E0a  x4
E0b  x14	E1 15 x 12 mm x18 	F1 6 x 34 mm x18 
G0a  x7	G0b  x10	G1 φ7 x 50 mm x25 
I6 4 x 40 mm x42 	I11 4 x 27 mm x12 	I17 3 x 13 mm x10 
J6 4 x 25 mm x9 	M  x1	M2 6mm  x1
M3 8mm  x1	N1 3 x 16 mm x65 	O2  x19
P40  x2	P21 ø10 x6 	R1  x12



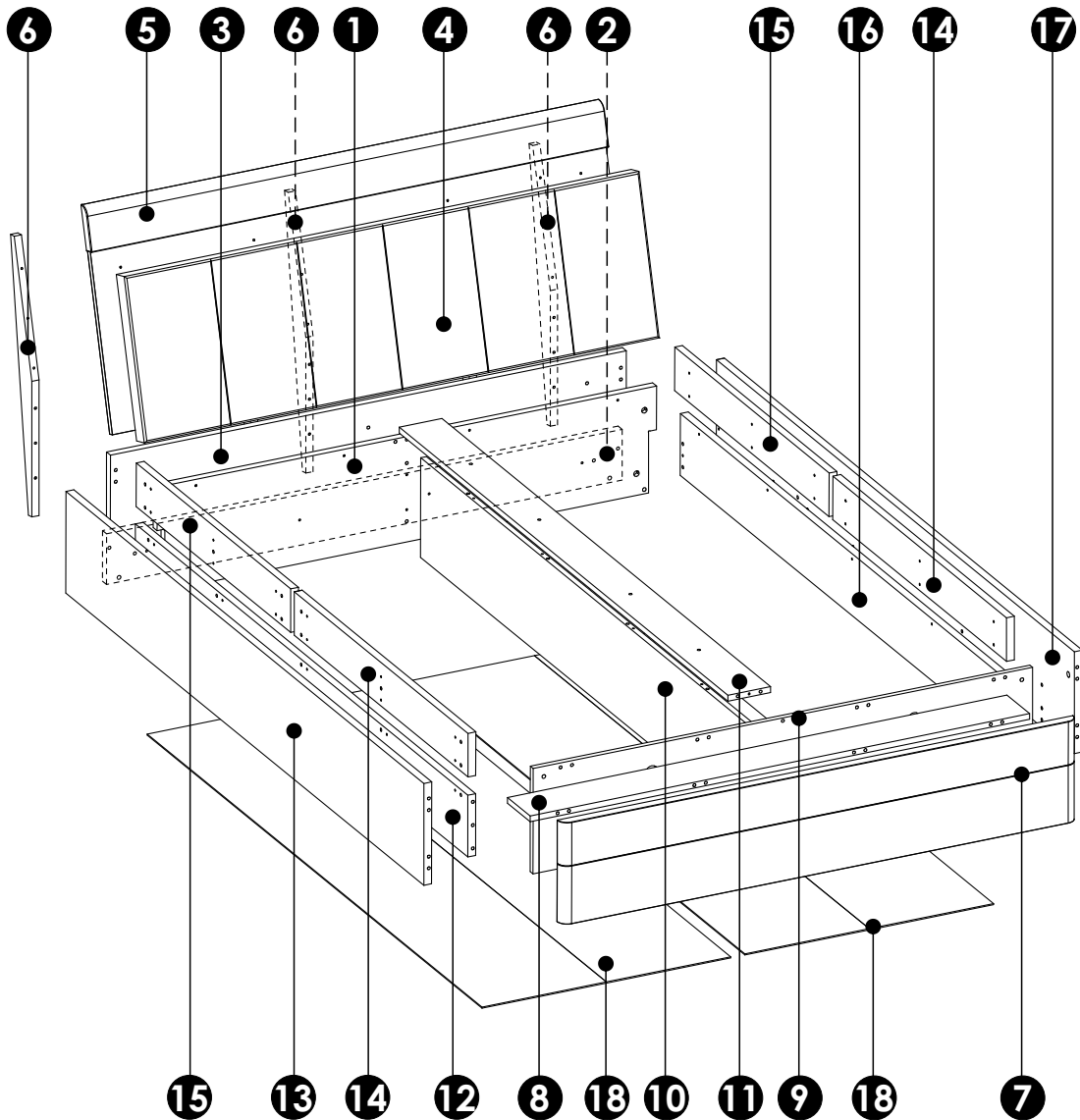
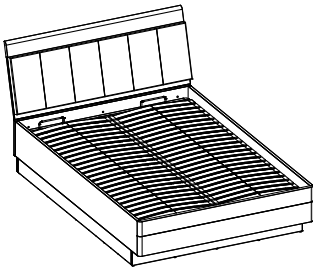
MONACO MOAL01



R5  x2	R22  x6	S18  x6
S19 M8 x 20 mm  x6	W16  x2	



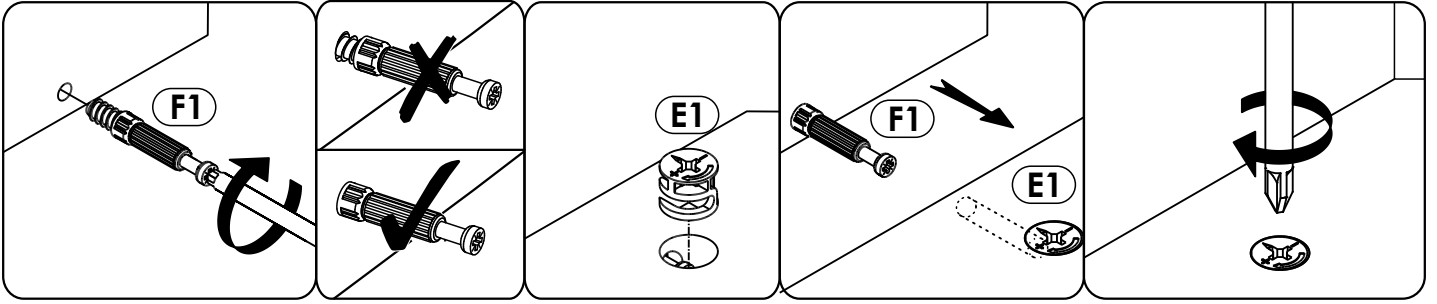
MONACO MOAL01



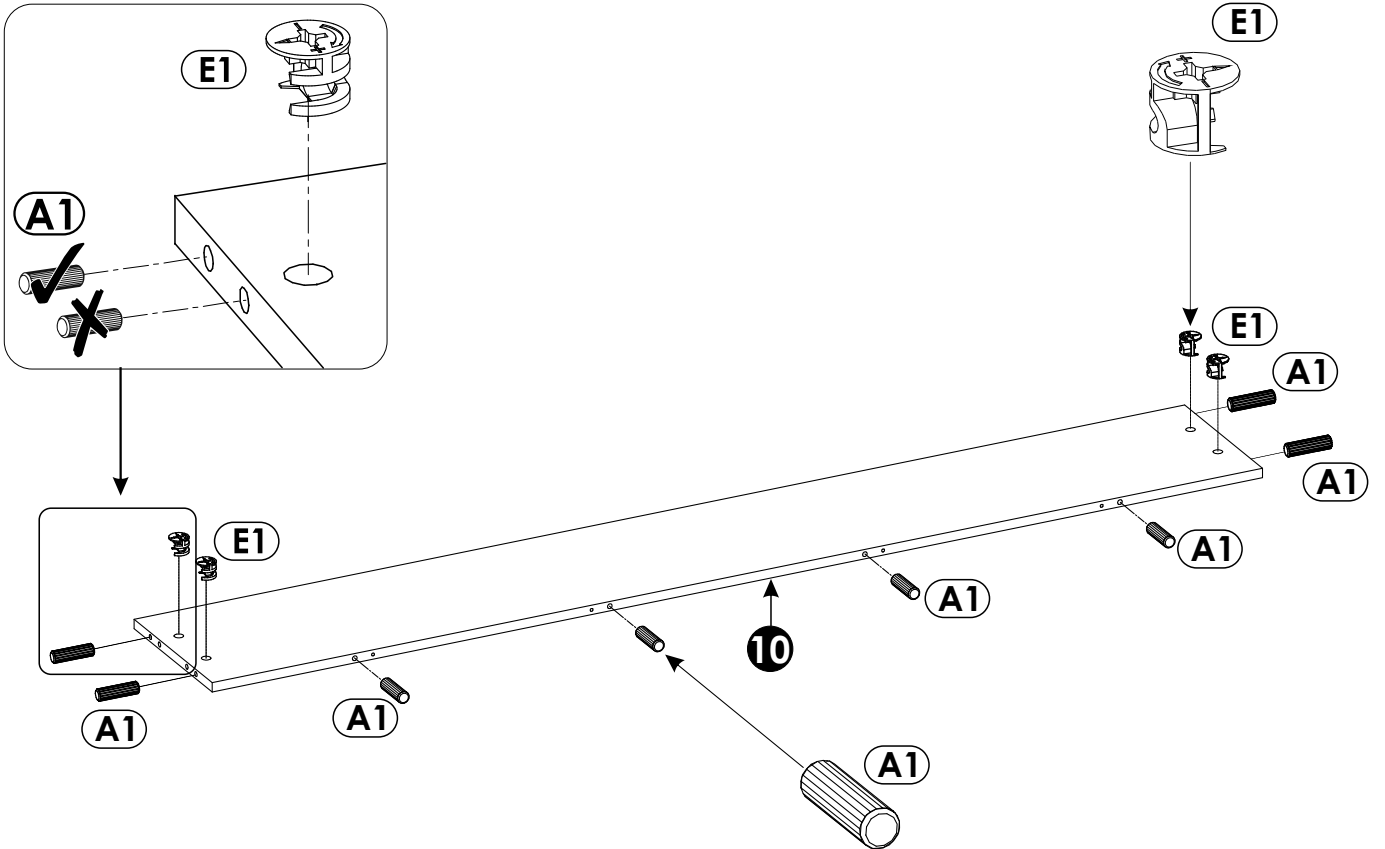
1	1402	290	22	x1	1/4
2	1402	135	22	x1	3/4
3	1448	280	22	x1	1/4
4	1445	428	50	x1	4/4
5	1453	590	28	x1	4/4
6	740	70	20	x3	3/4

7	1448	280	28	x1	1/4
8	1402	127	16	x1	3/4
9	1402	290	16	x1	1/4
10	1845	274	16	x1	1/4
11	1845	120	16	x1	3/4
12	1867	170	22	x1	3/4

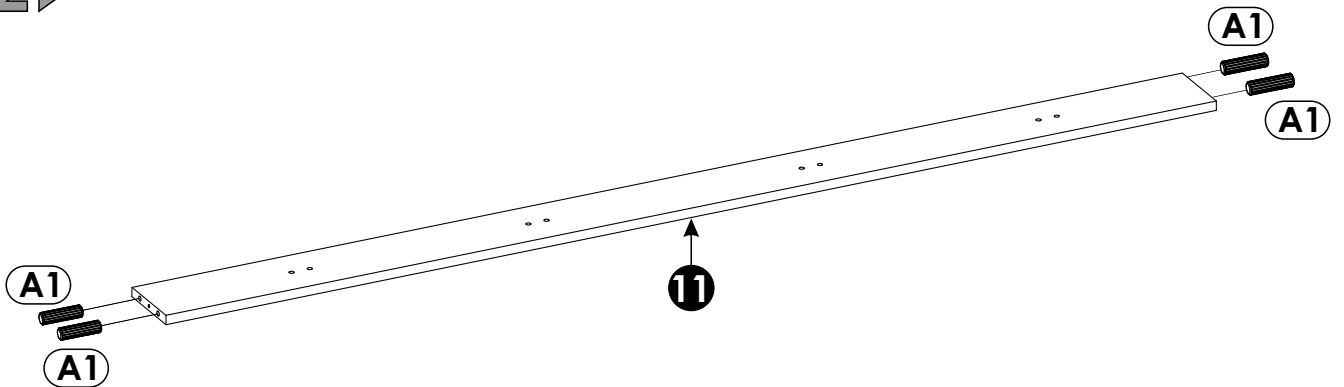
13	2010	280	22	x1	2/4
14	975	120	22	x2	2/4
15	868	120	22	x2	2/4
16	1867	170	22	x1	3/4
17	2010	280	22	x1	2/4
18	1879	698	3	x2	2/4



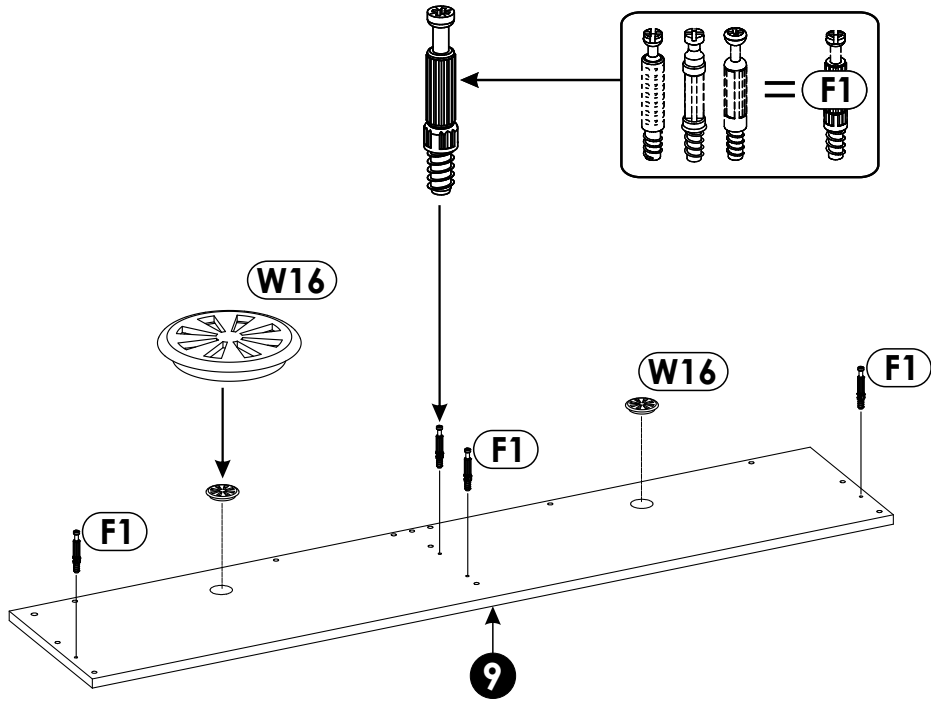
1 ▶



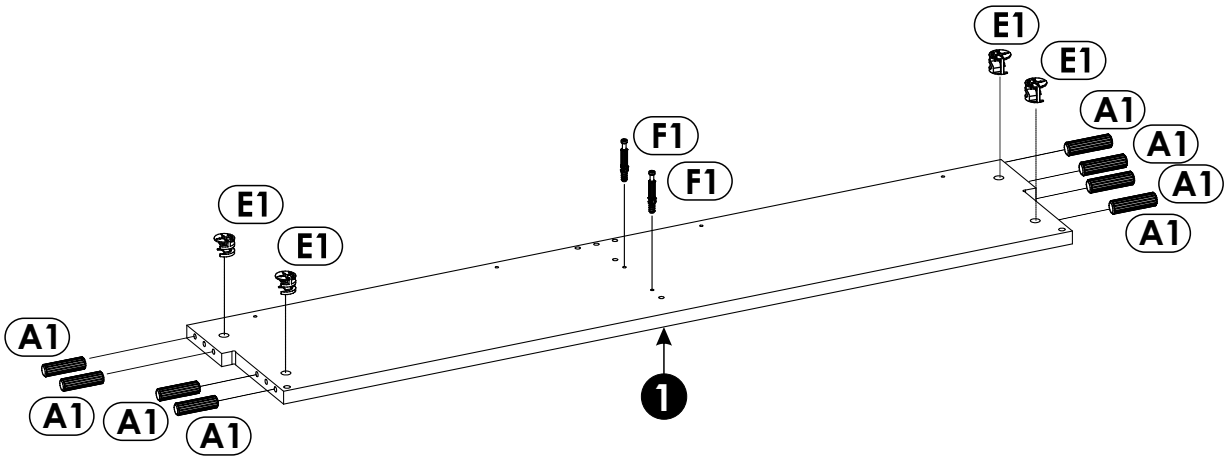
2 ▶



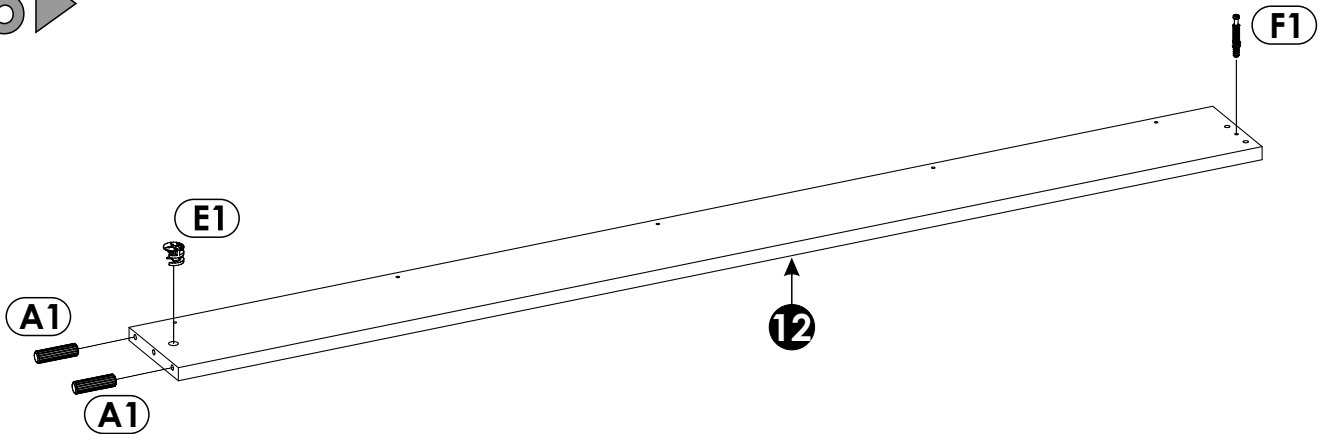
3 ▶



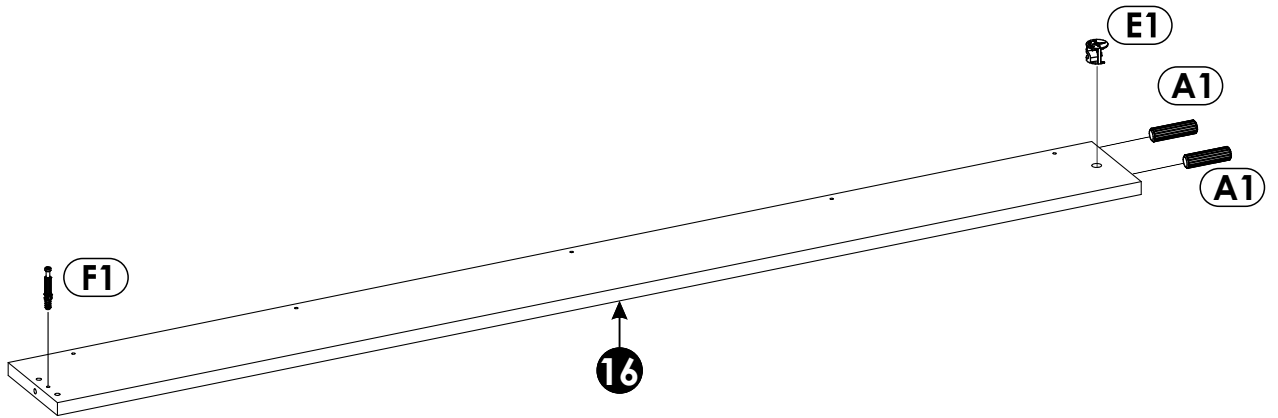
4 ▶



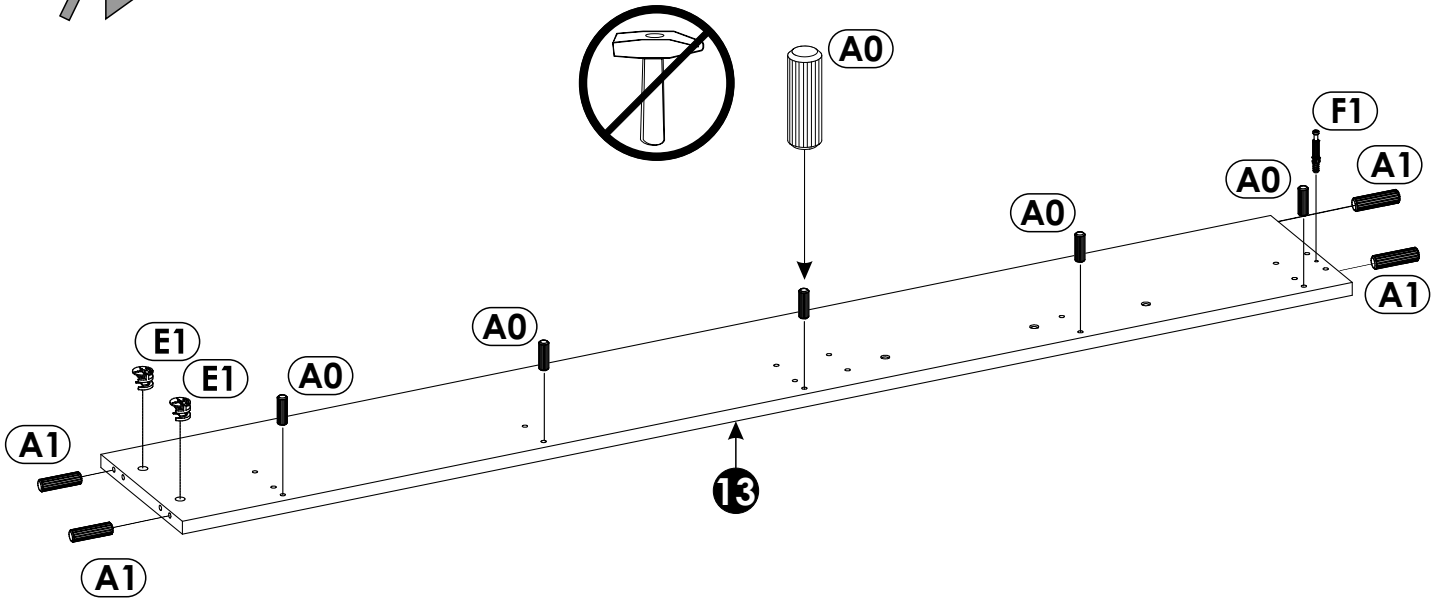
5 ▶



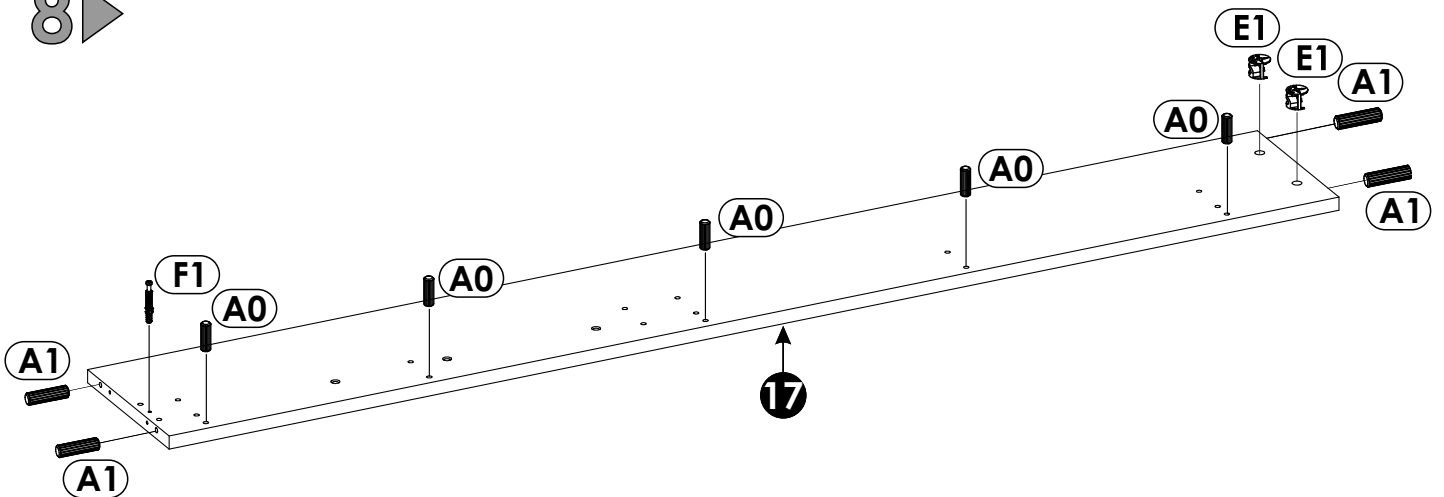
6 ▶



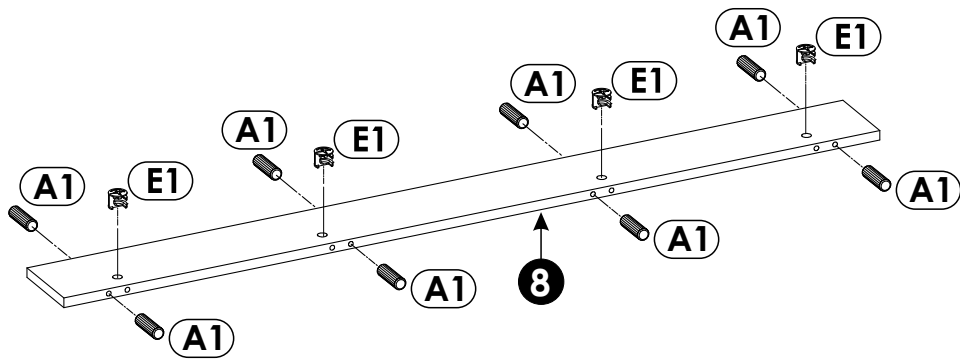
7 ▶



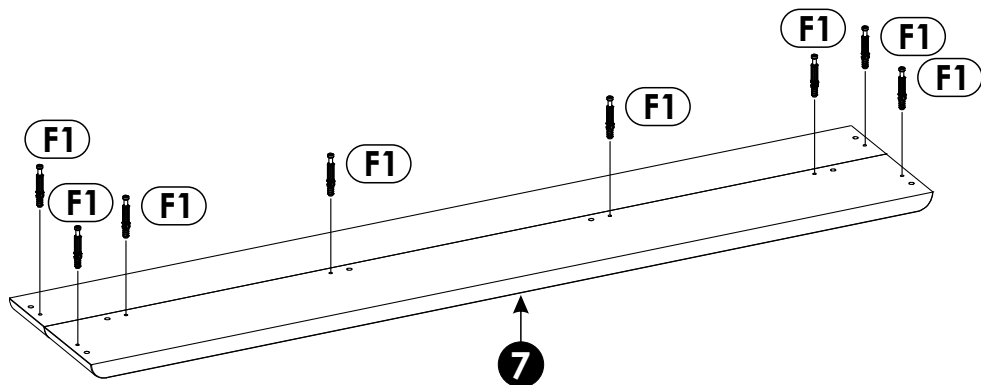
8 ▶



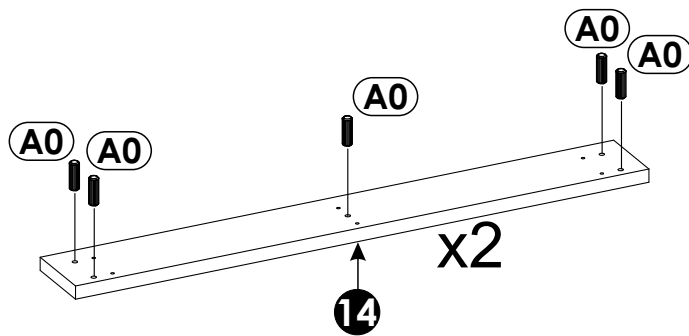
9▶



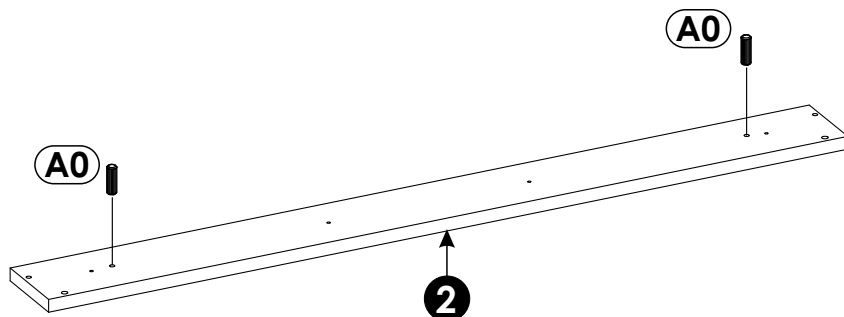
10▶



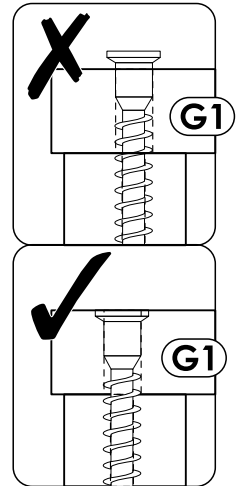
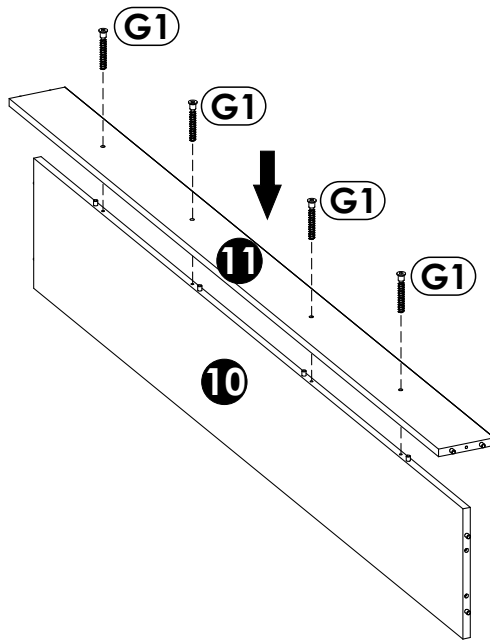
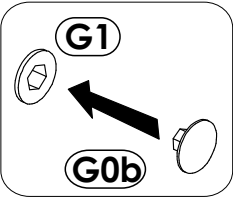
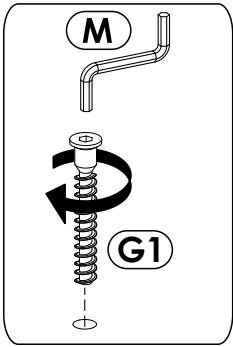
11▶



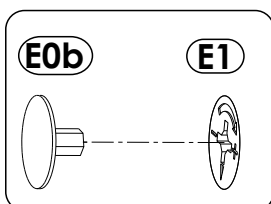
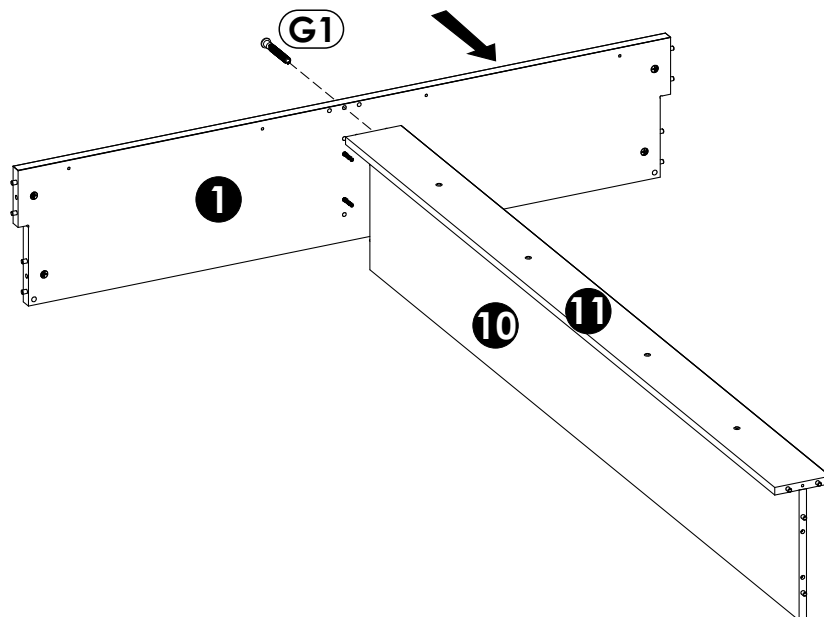
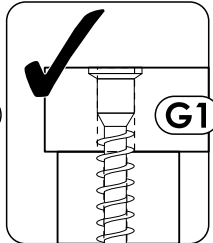
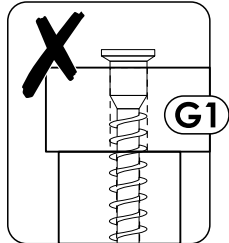
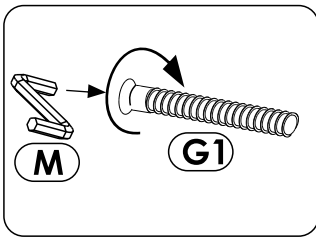
12▶



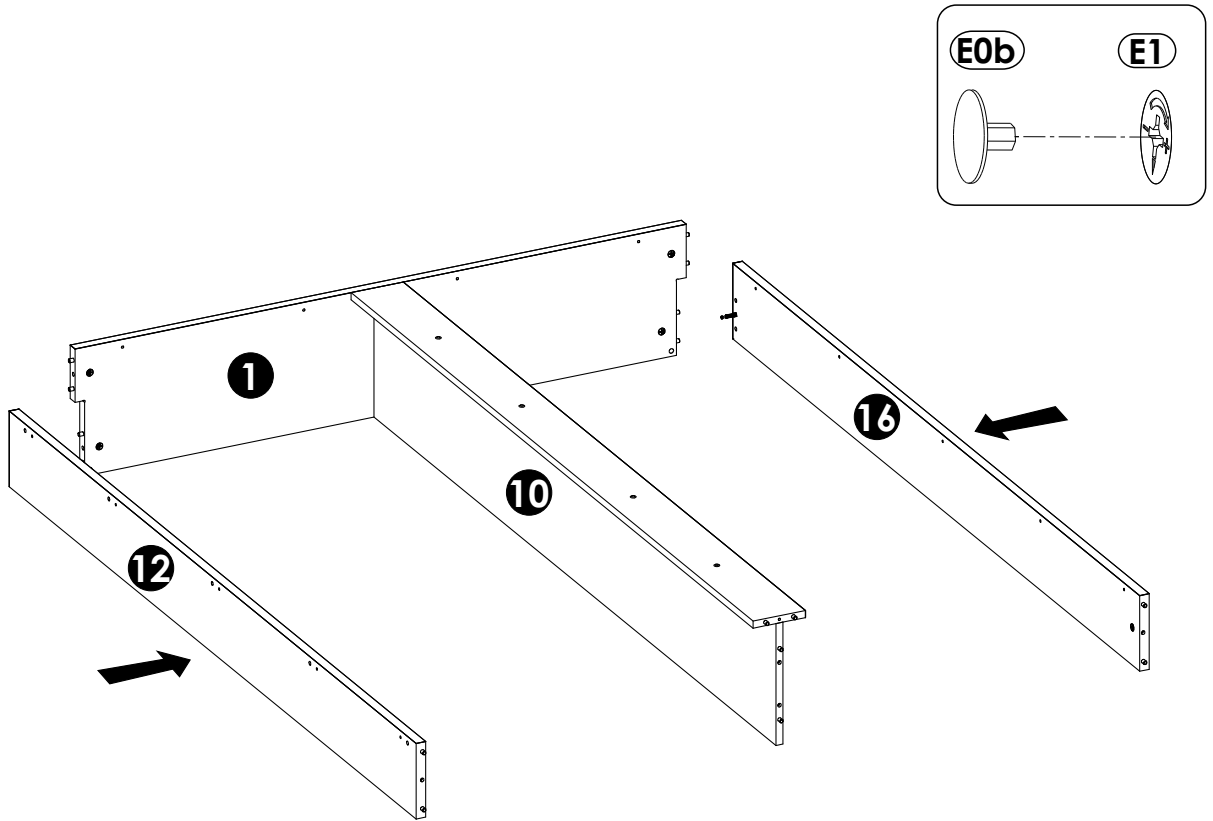
13 ▶



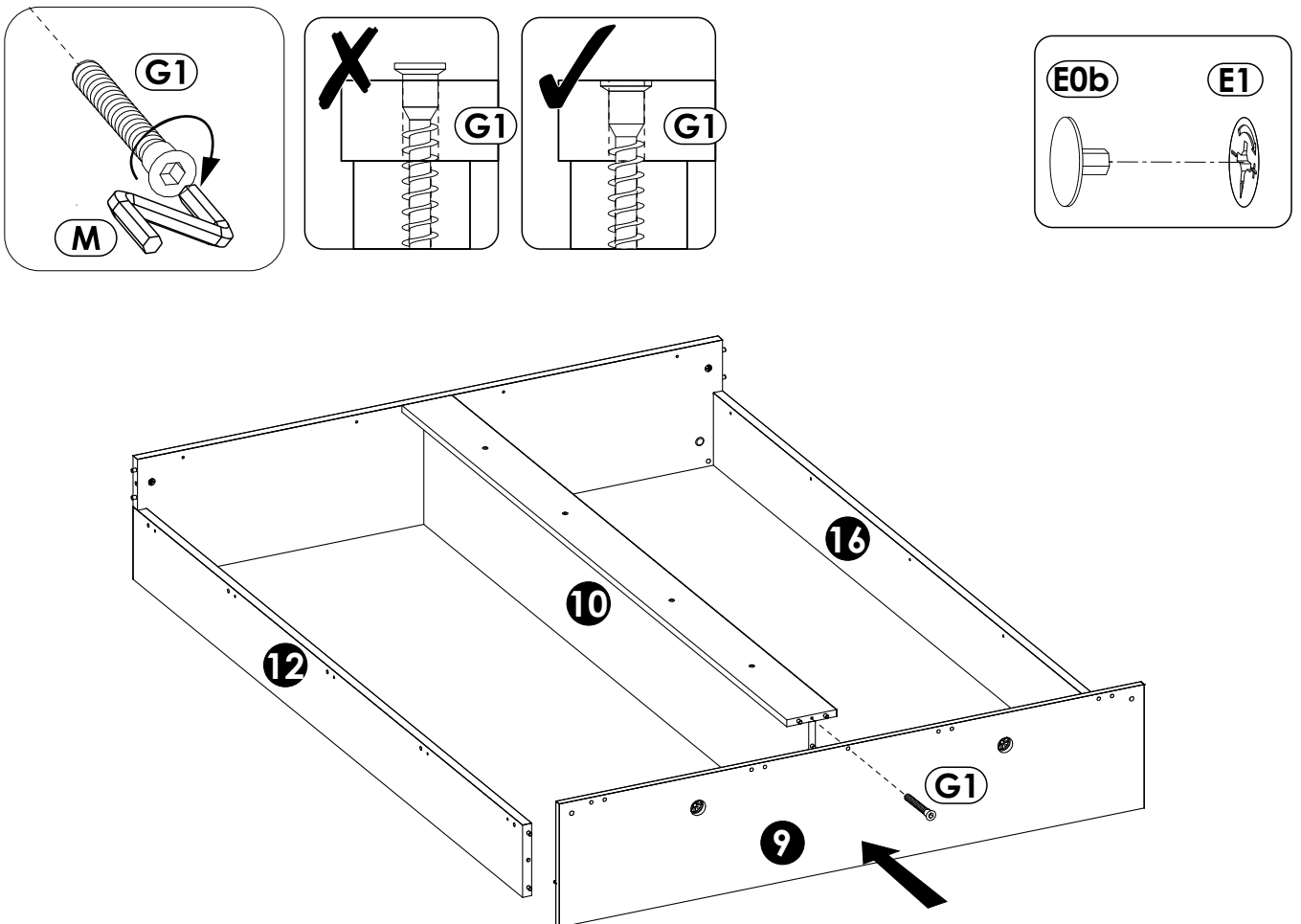
14 ▶



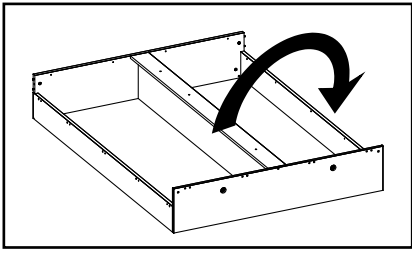
15▶



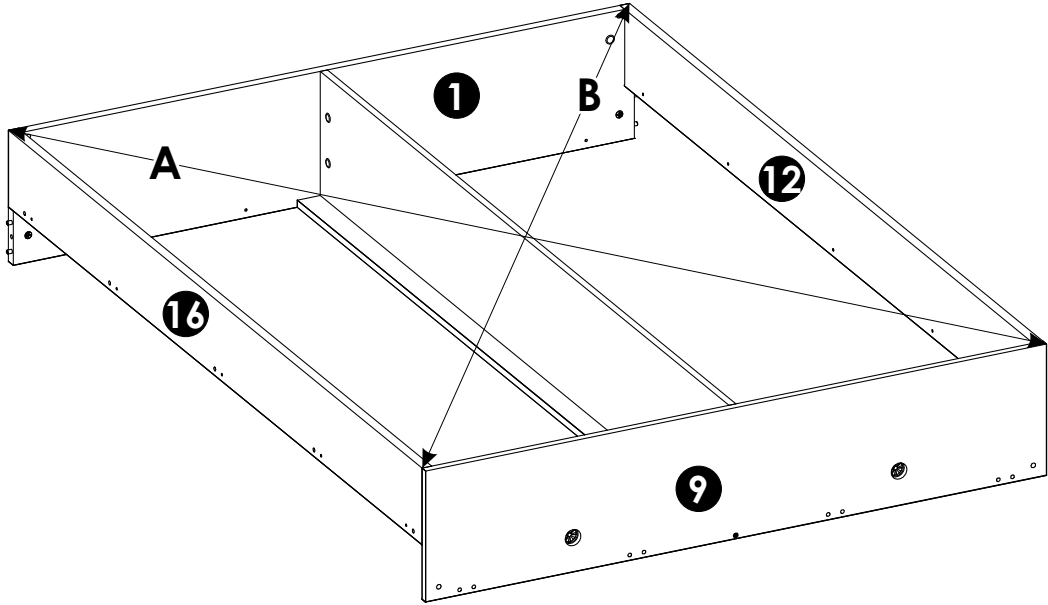
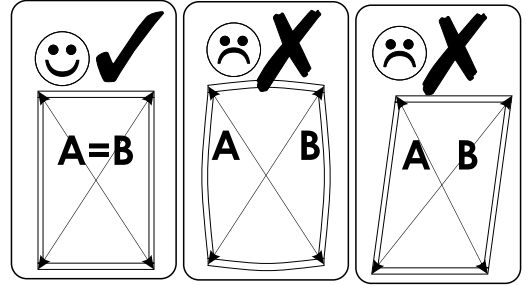
16▶



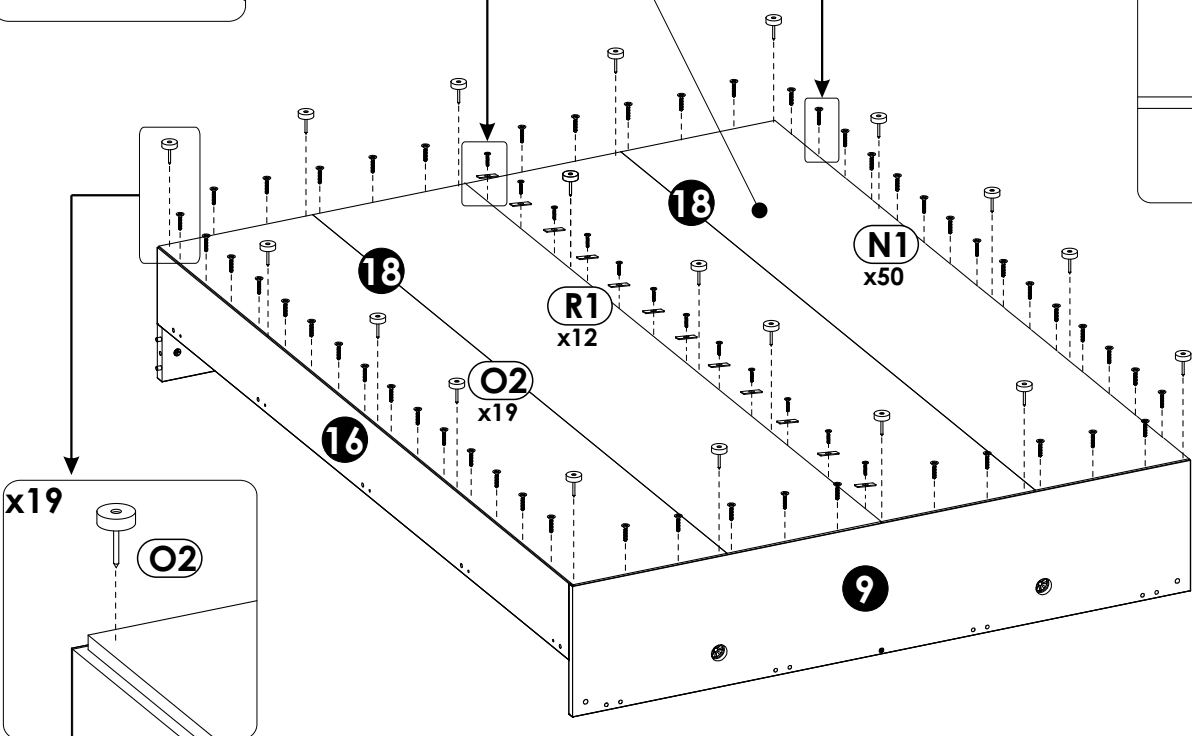
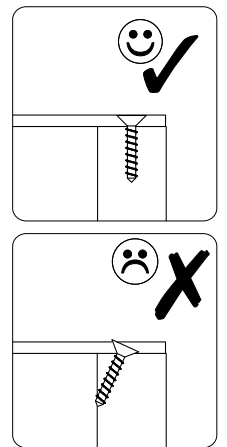
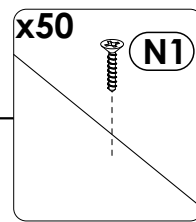
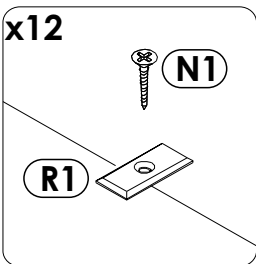
17▶



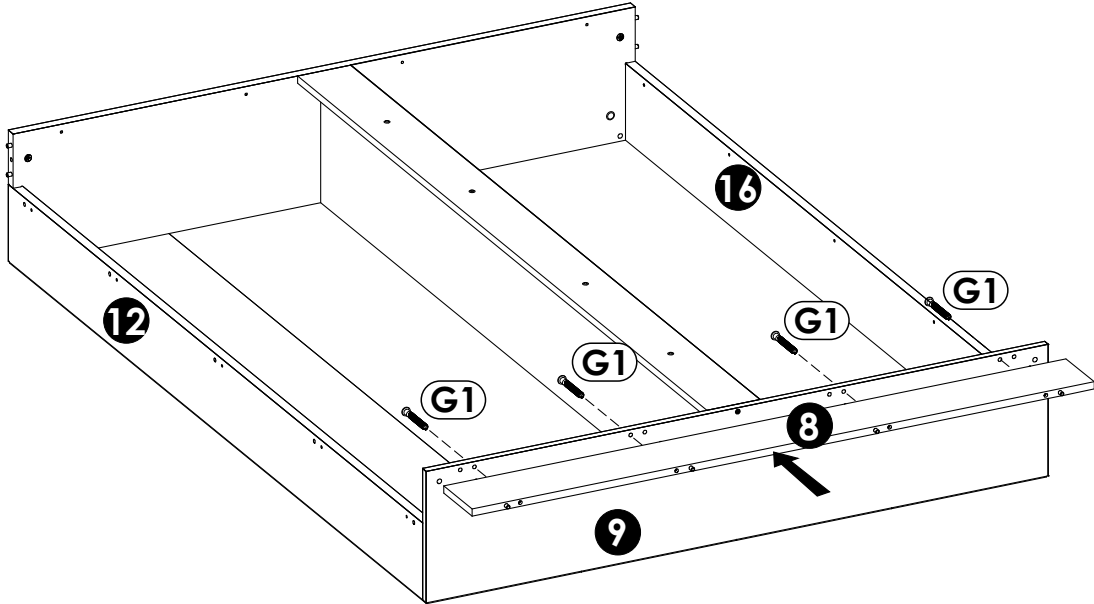
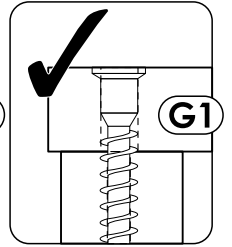
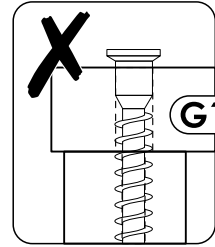
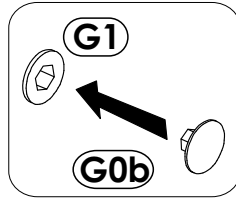
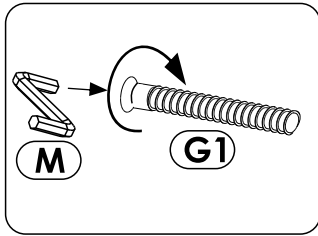
A=B



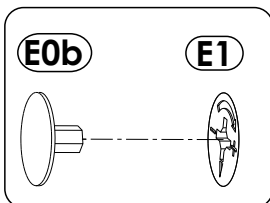
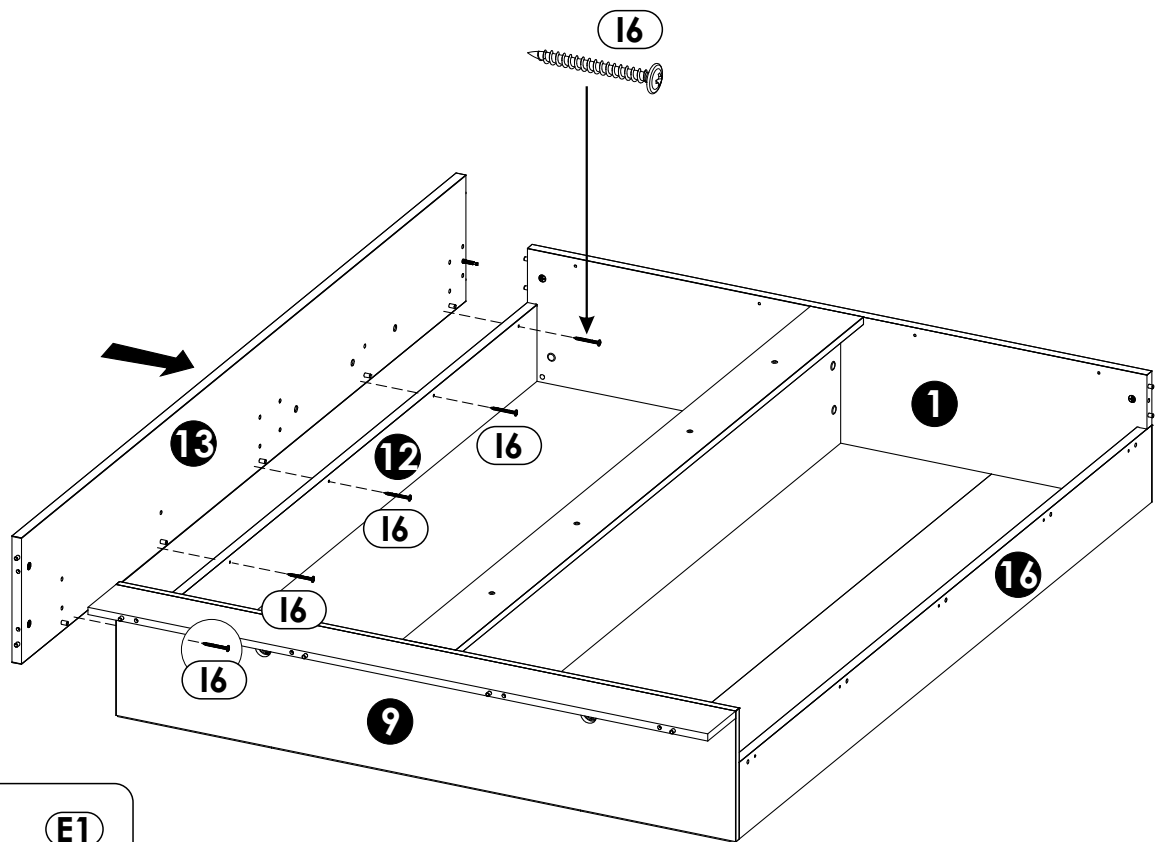
18▶



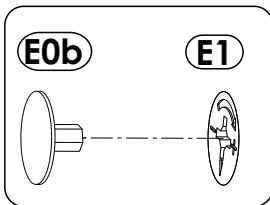
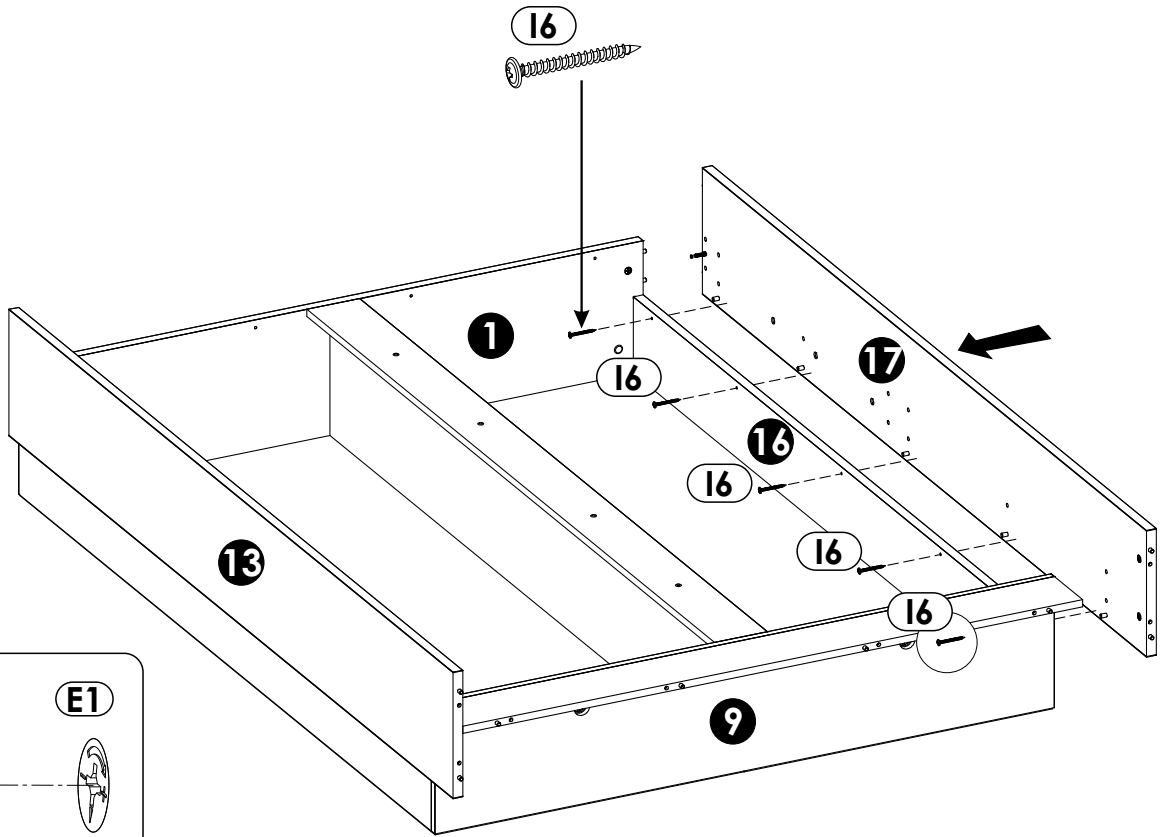
19▶



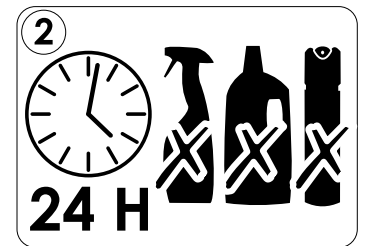
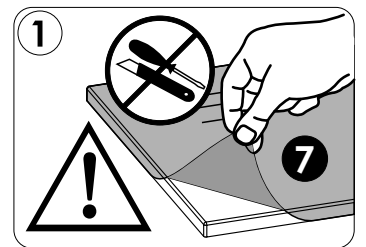
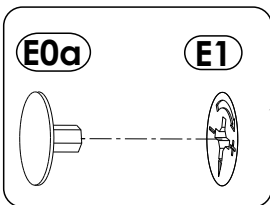
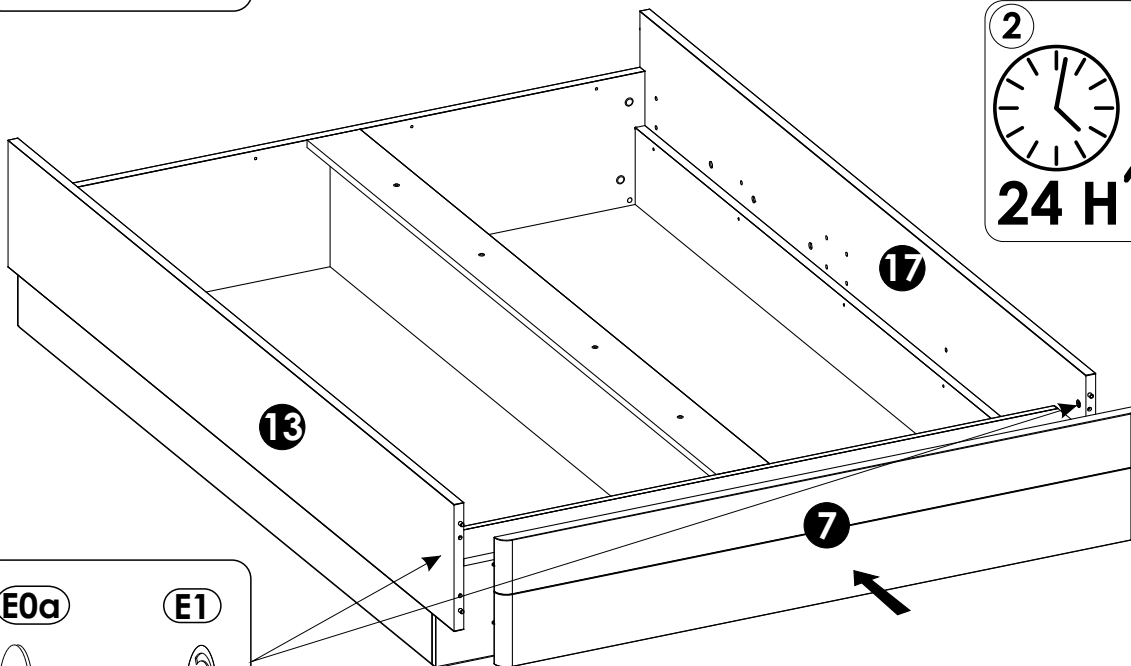
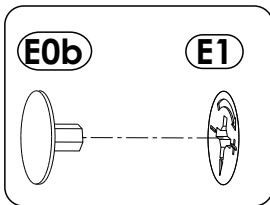
20▶



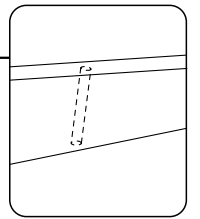
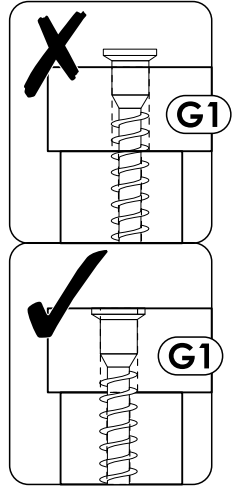
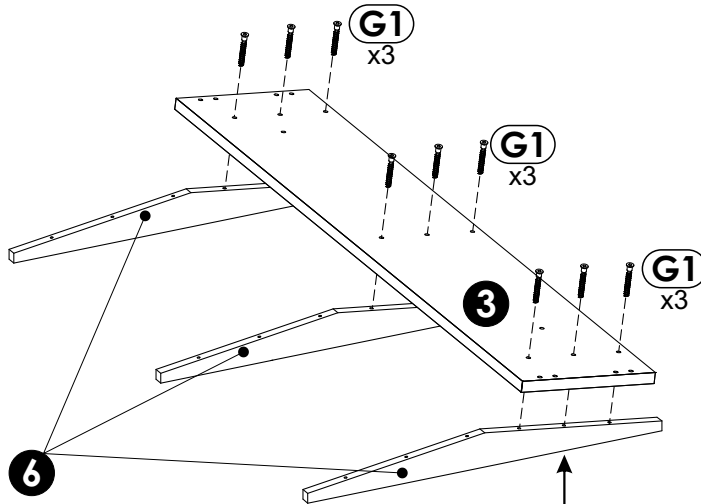
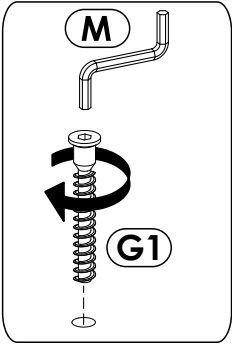
21 ▶



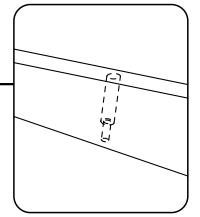
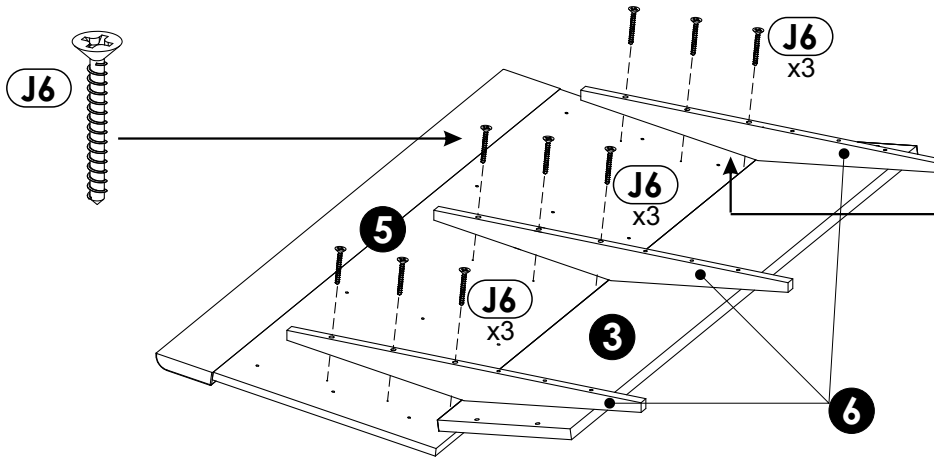
22 ▶



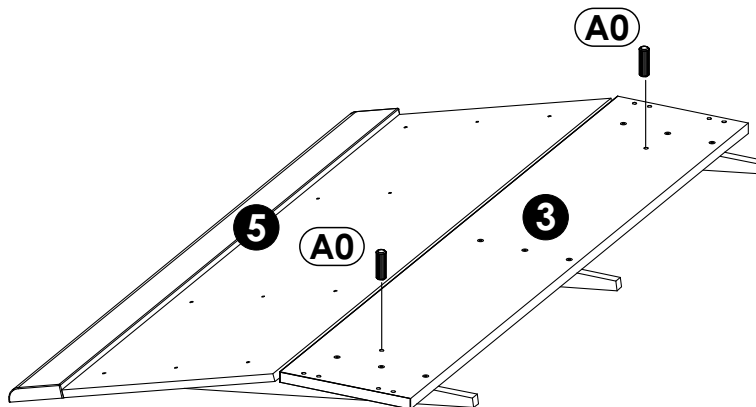
23 ▶



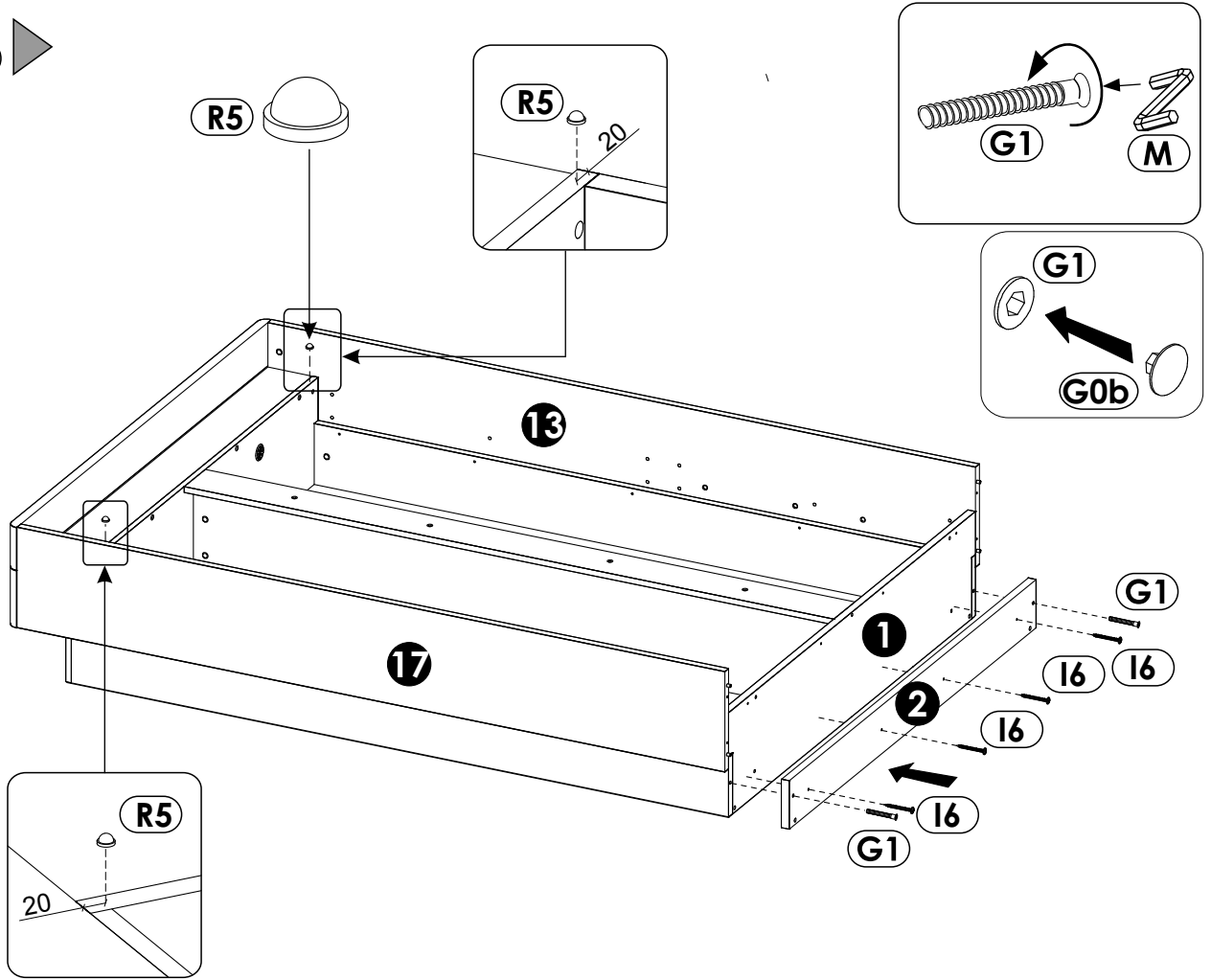
24 ▶



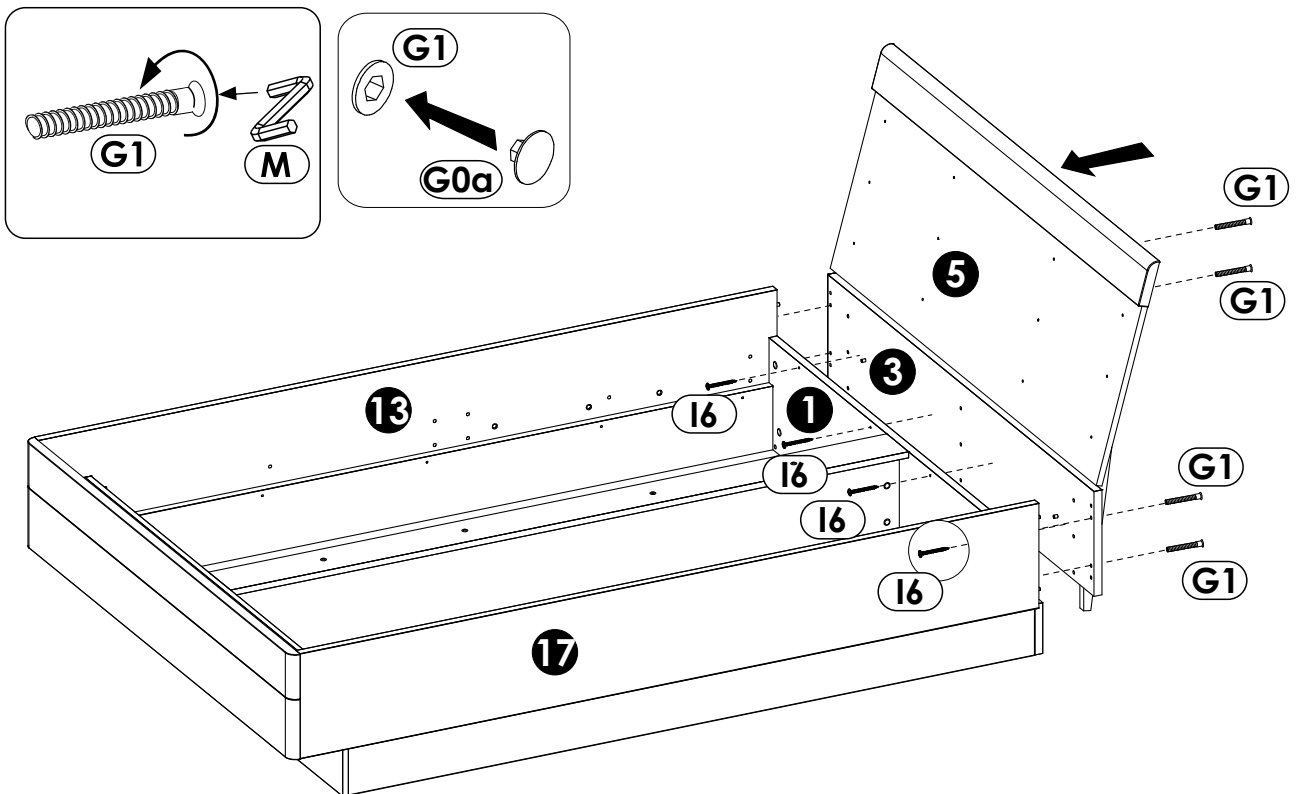
25 ▶



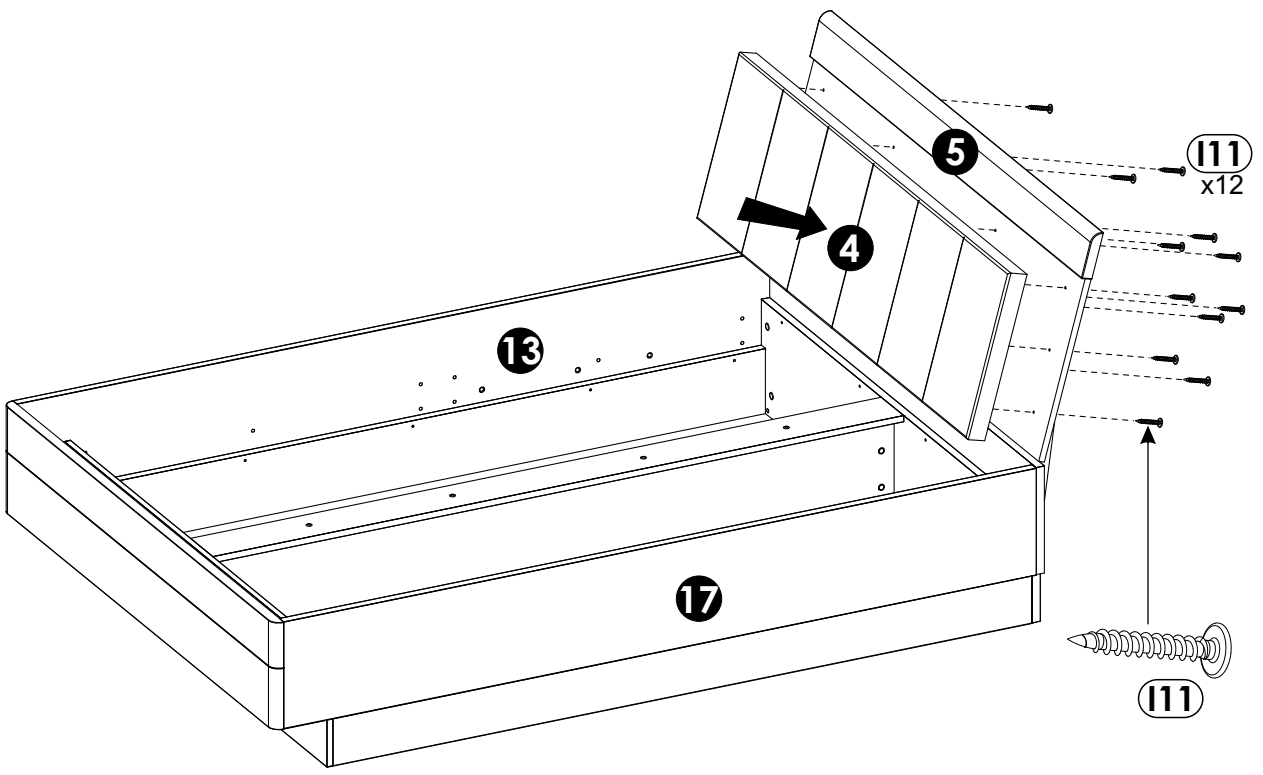
26 ▶



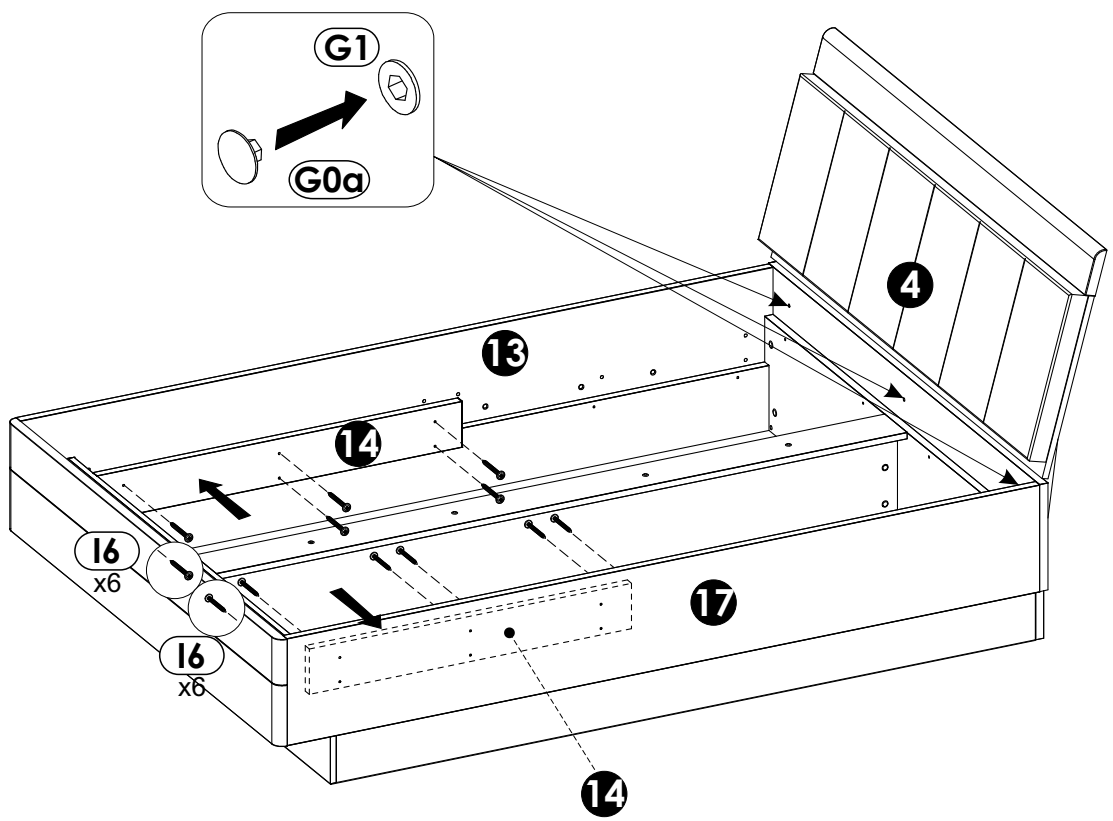
27 ▶



28 ▶



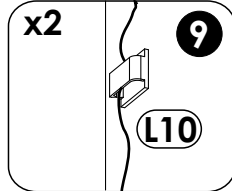
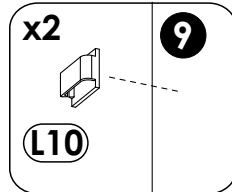
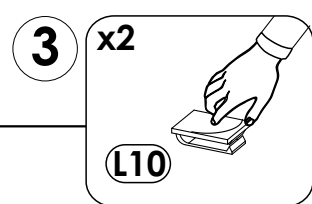
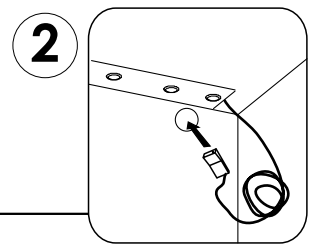
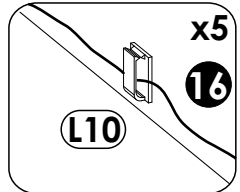
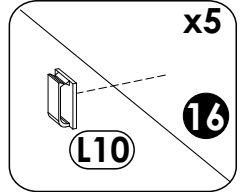
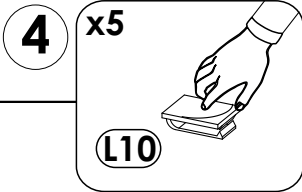
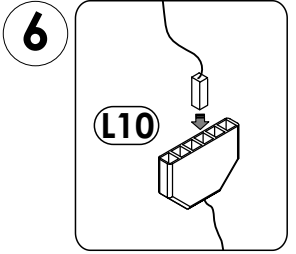
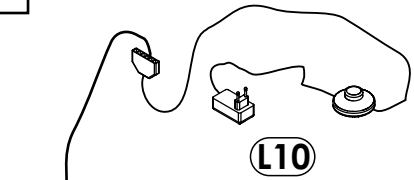
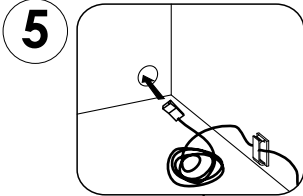
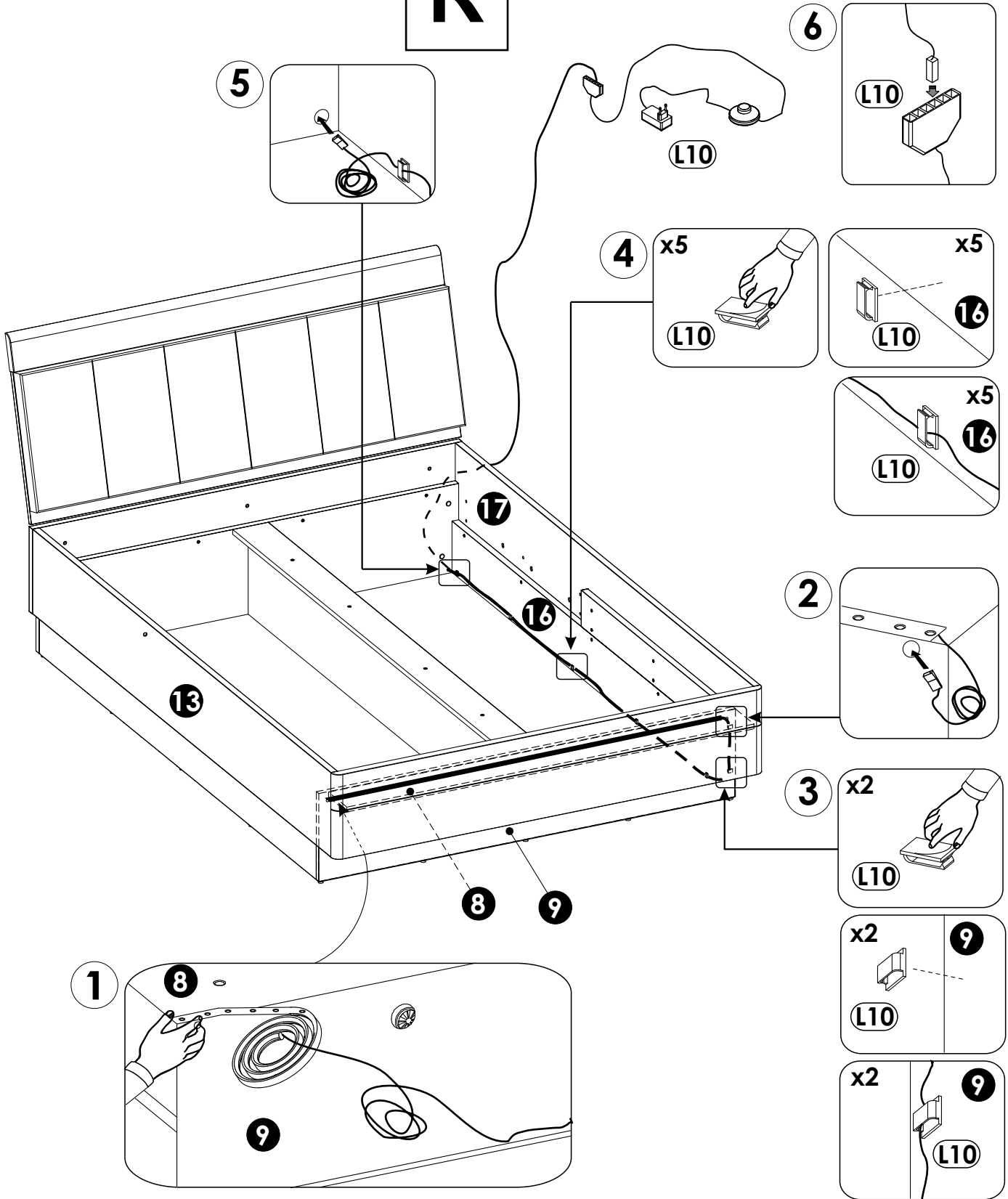
29 ▶



OPTION I

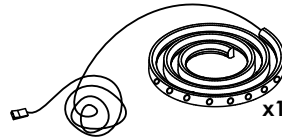
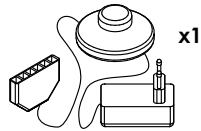


R

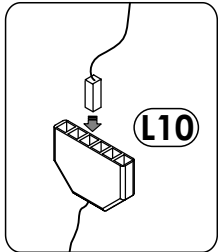


OPTION I

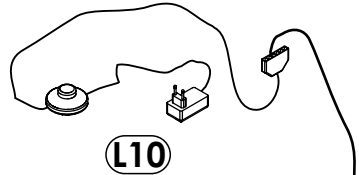
L10



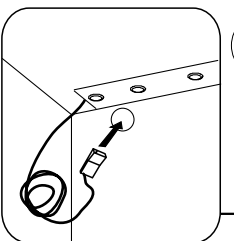
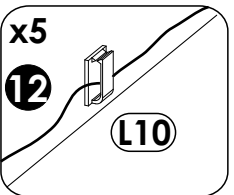
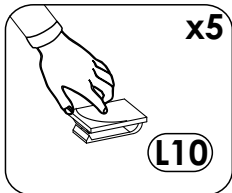
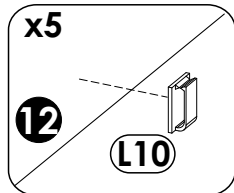
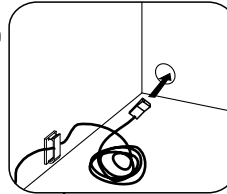
L



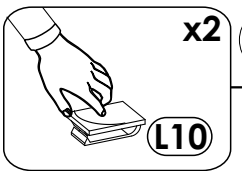
6



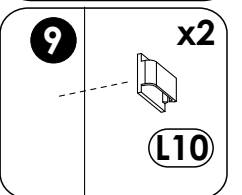
5



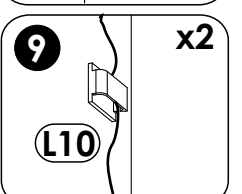
2



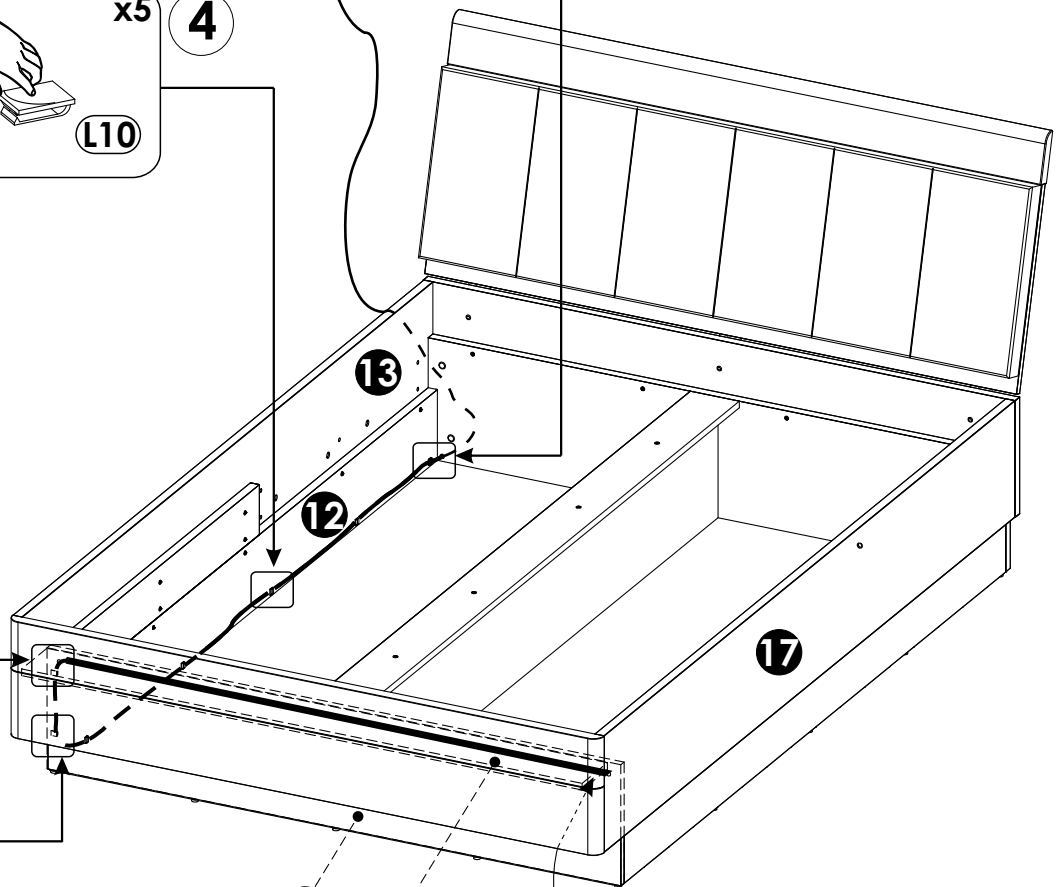
3



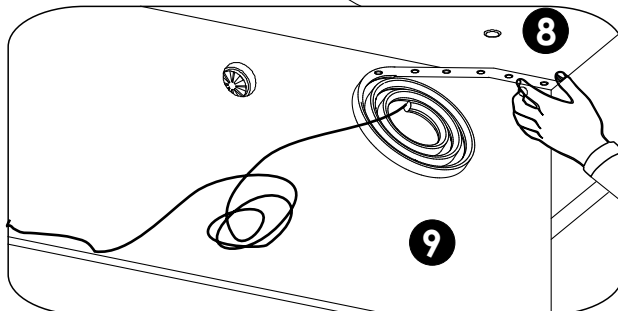
9

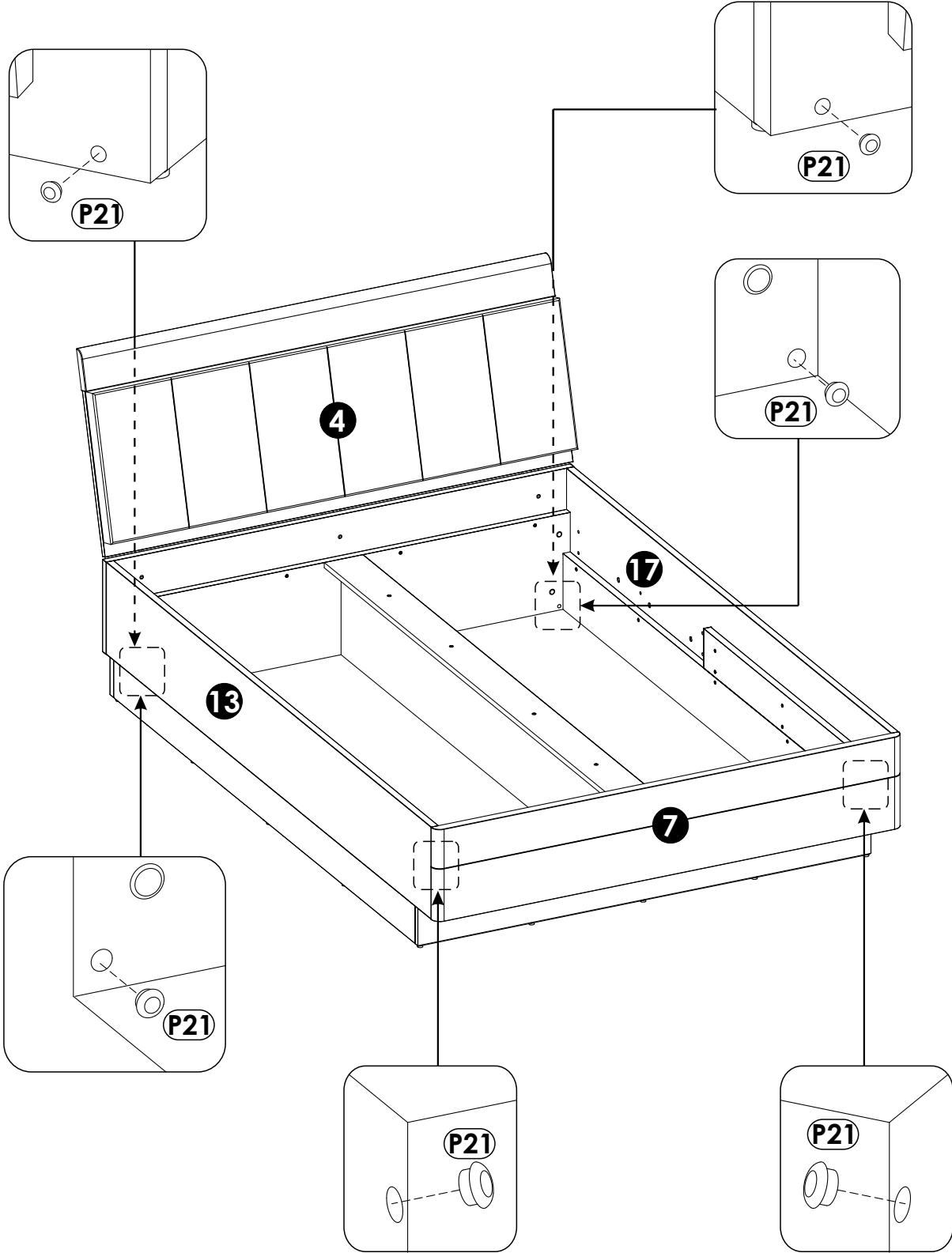


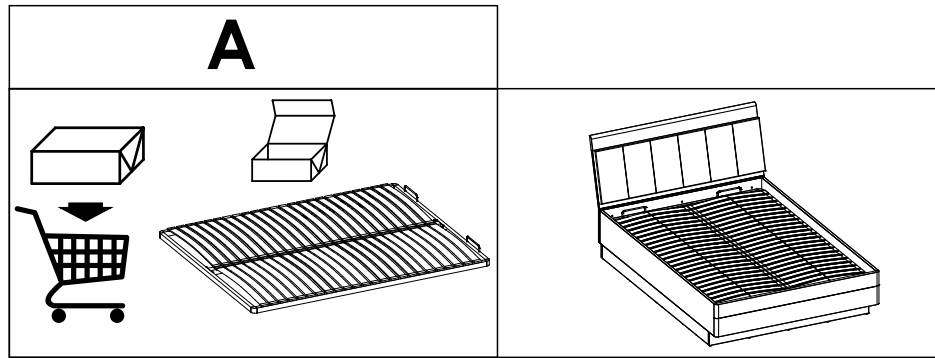
9



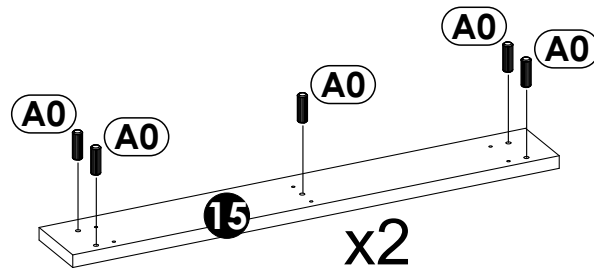
1



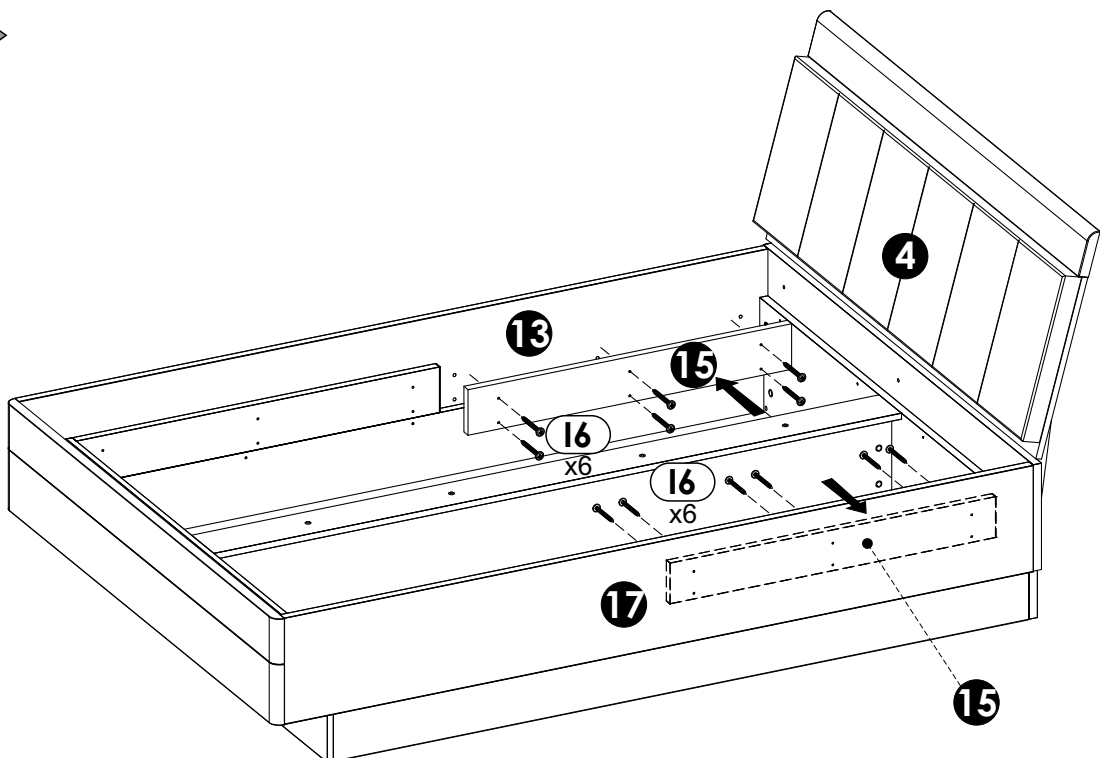




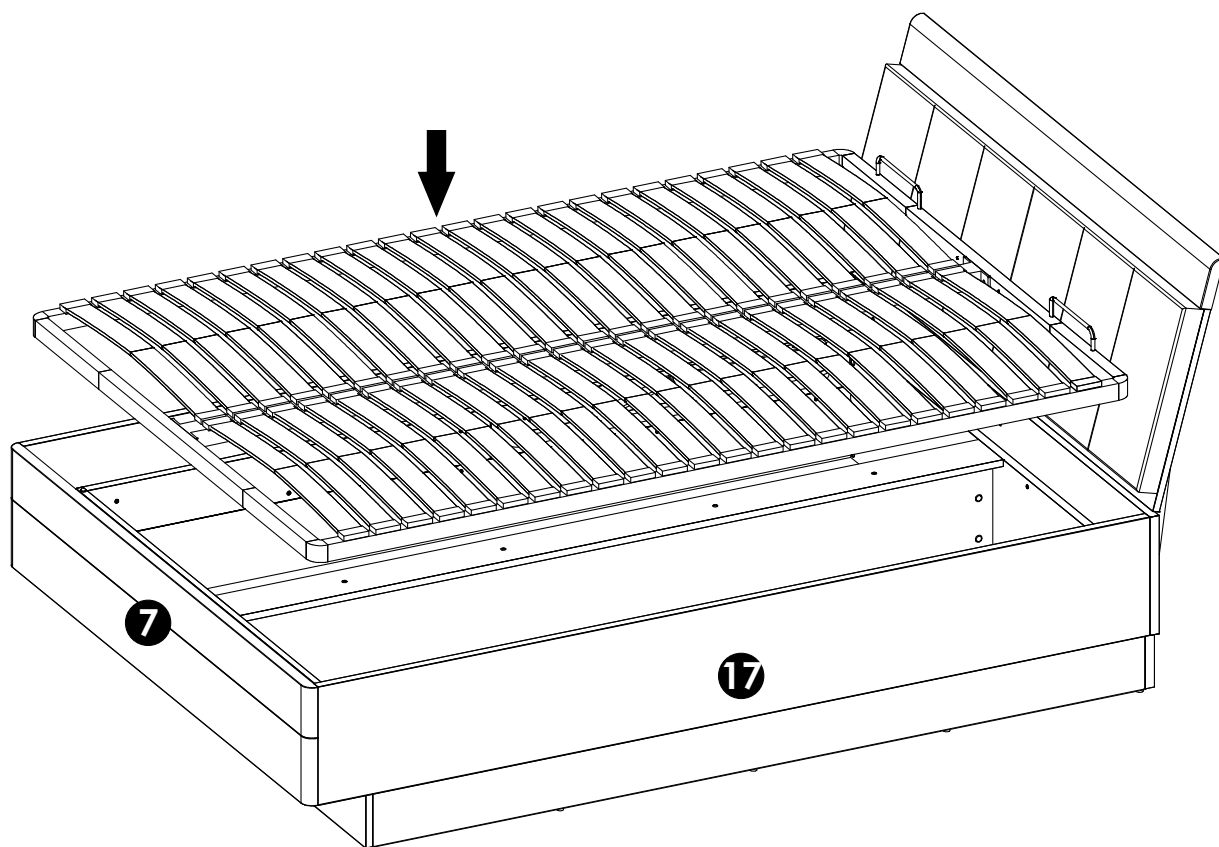
32 ▶



33 ▶

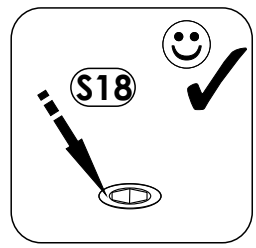
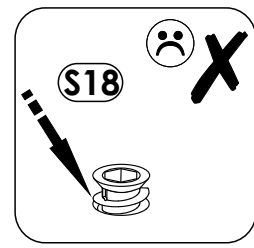
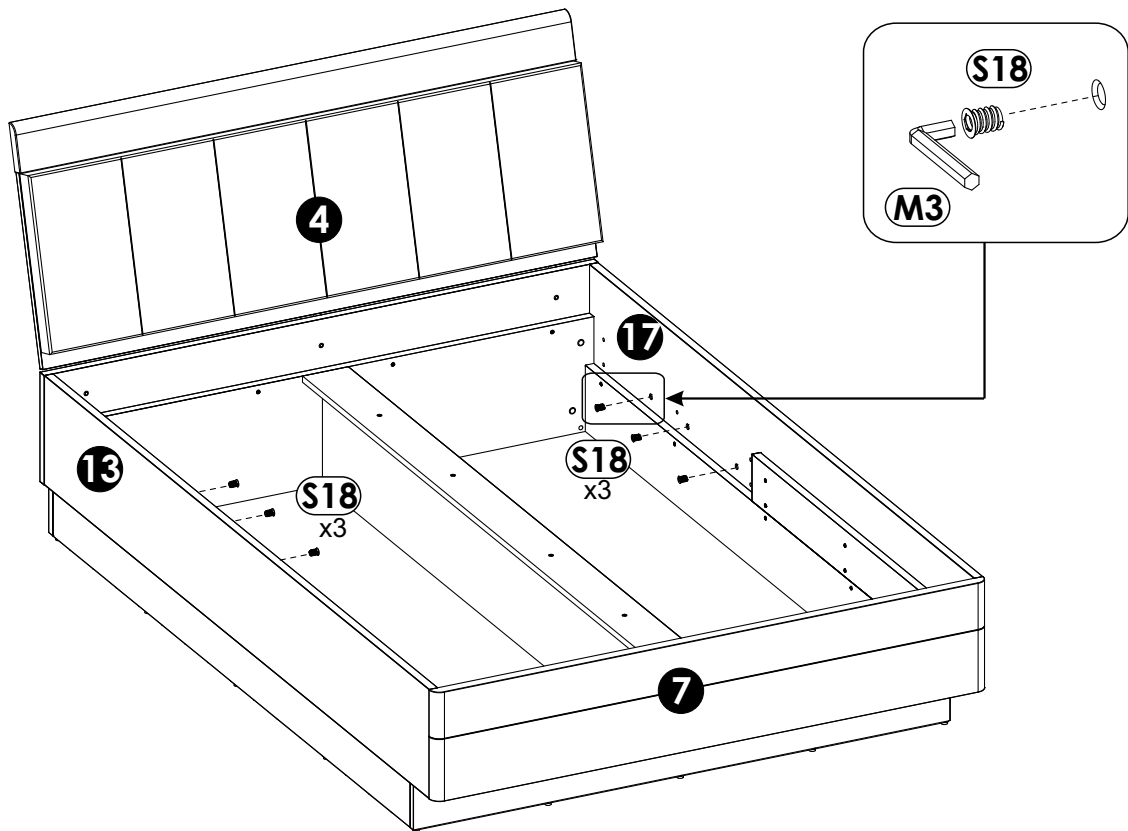
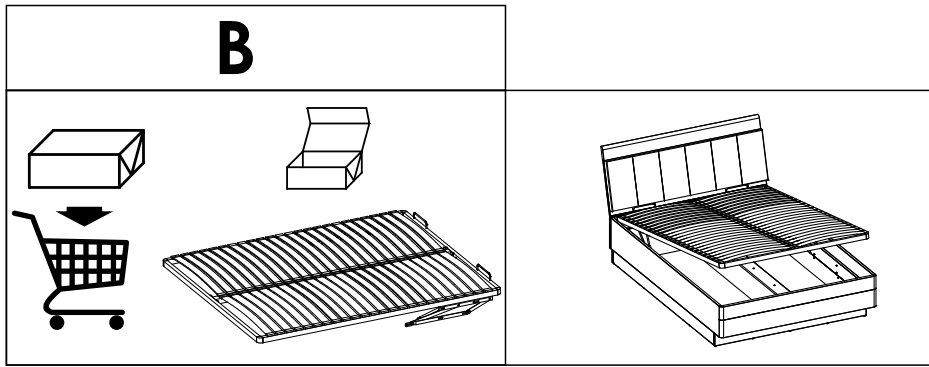


34 ▶

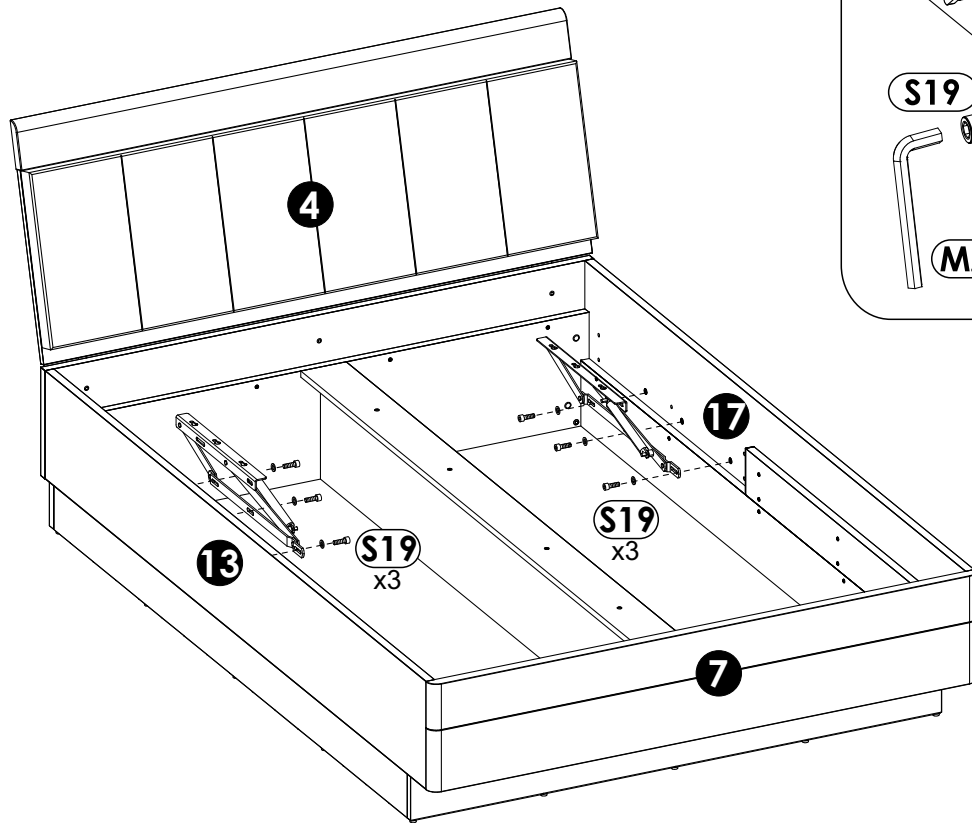


35 ▶

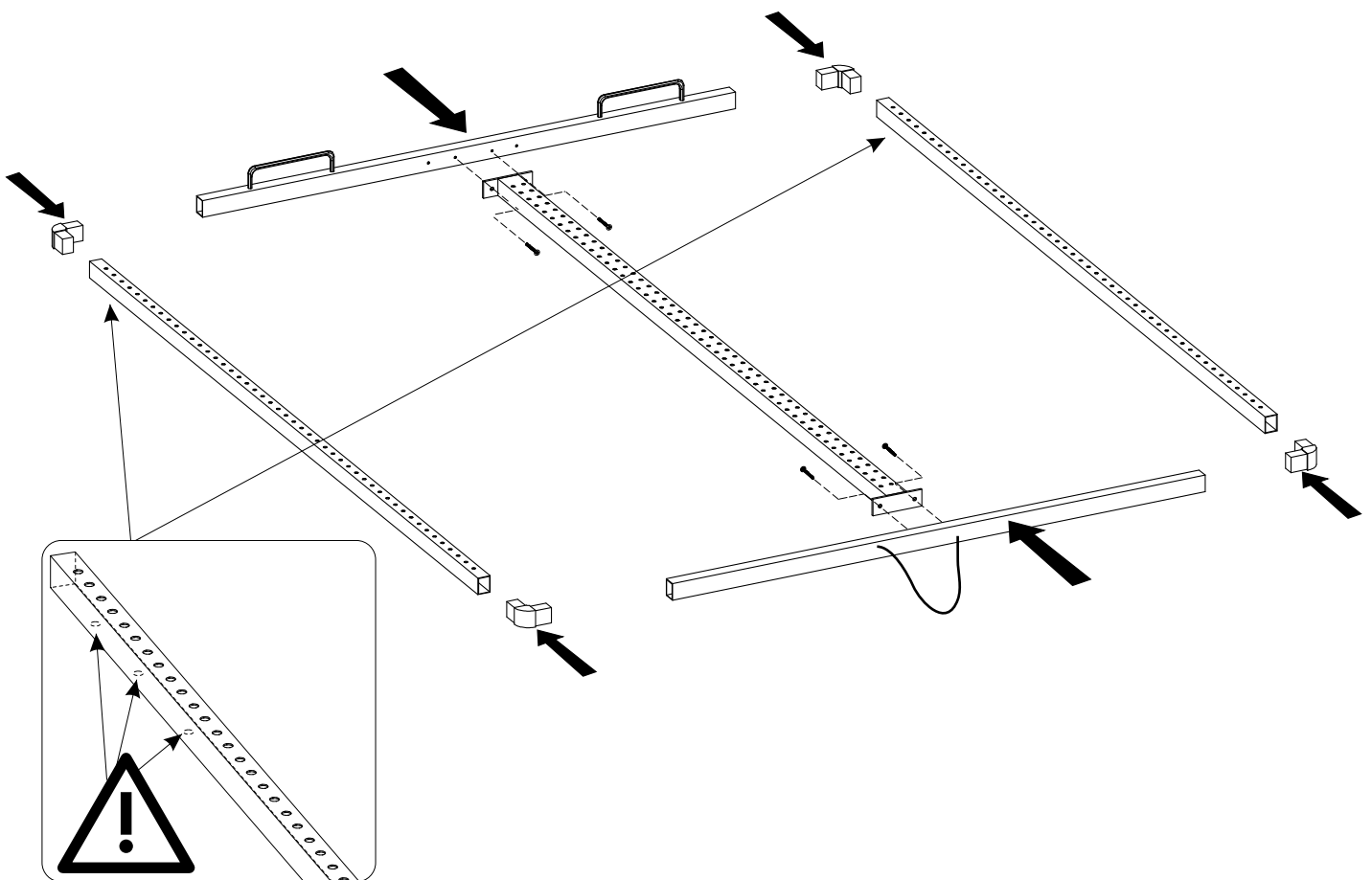




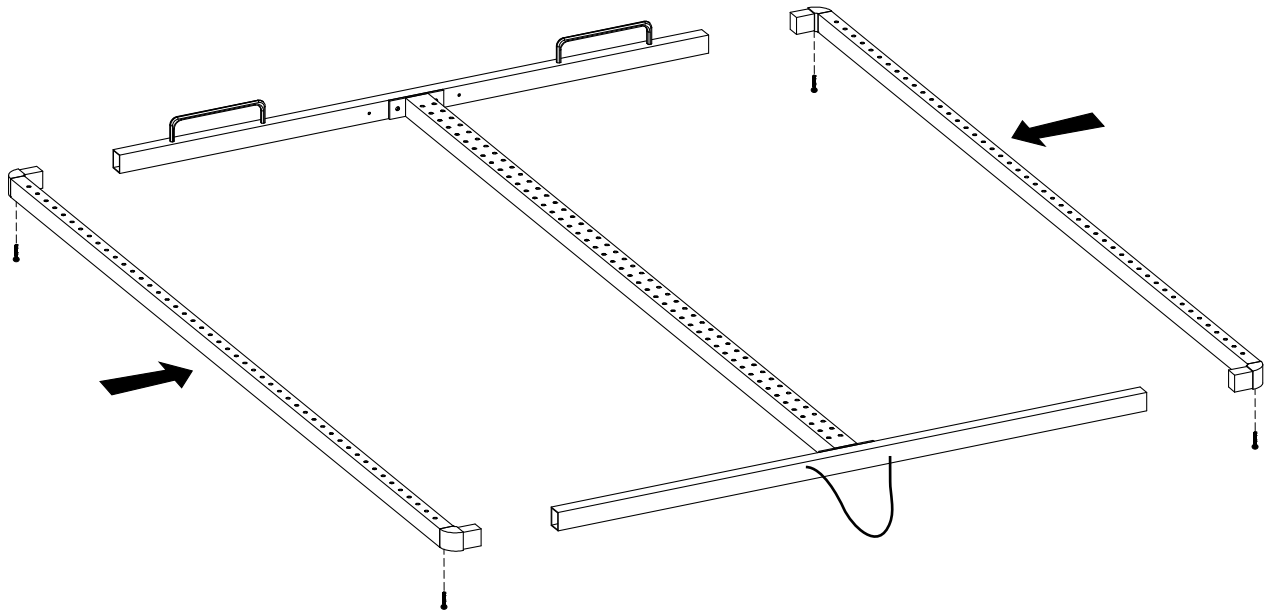
37 ▶



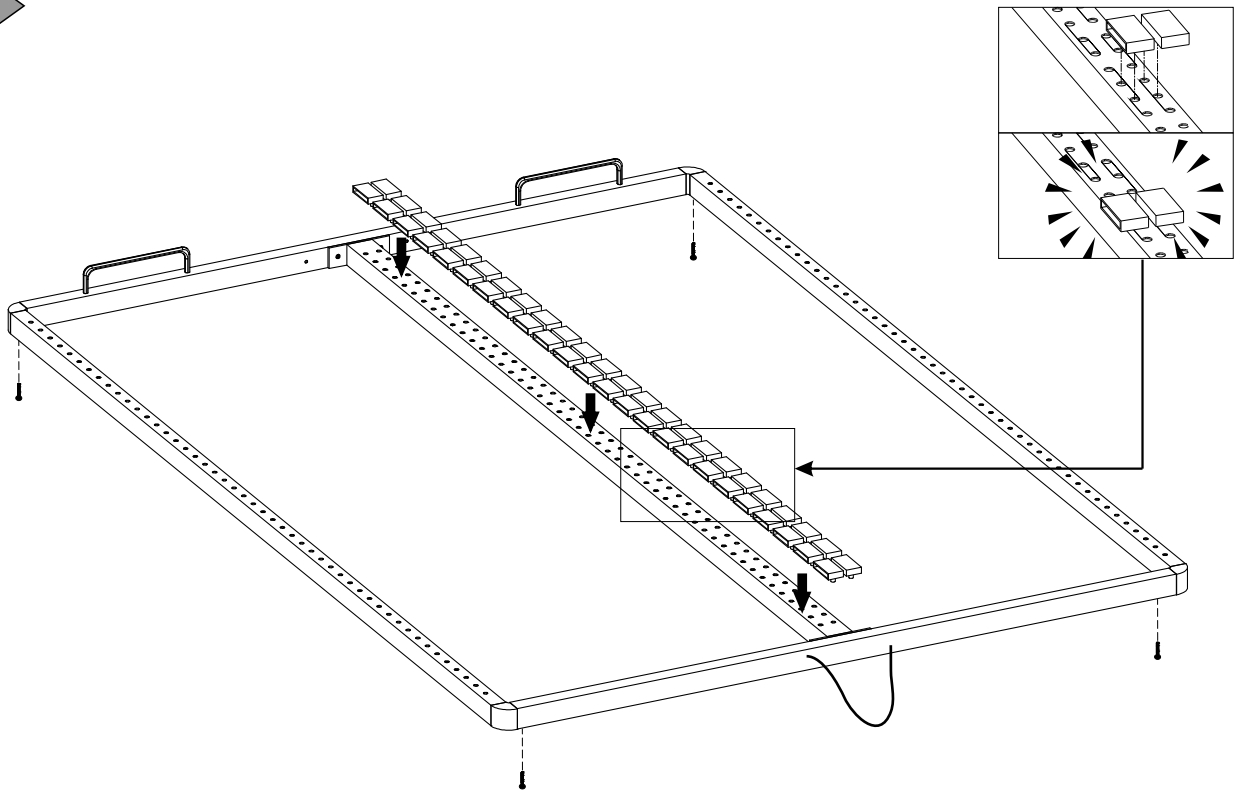
38 ▶



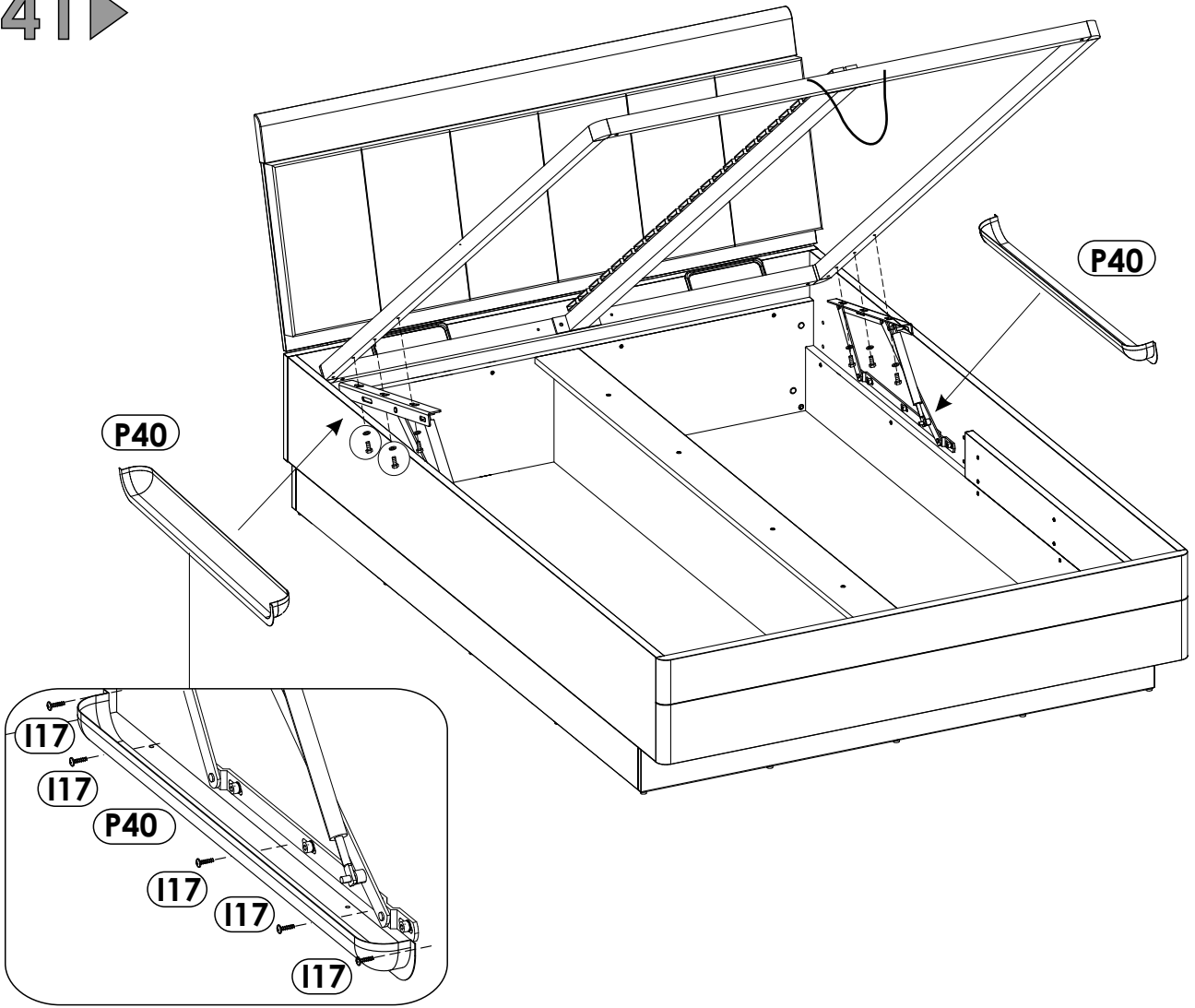
39 ▶



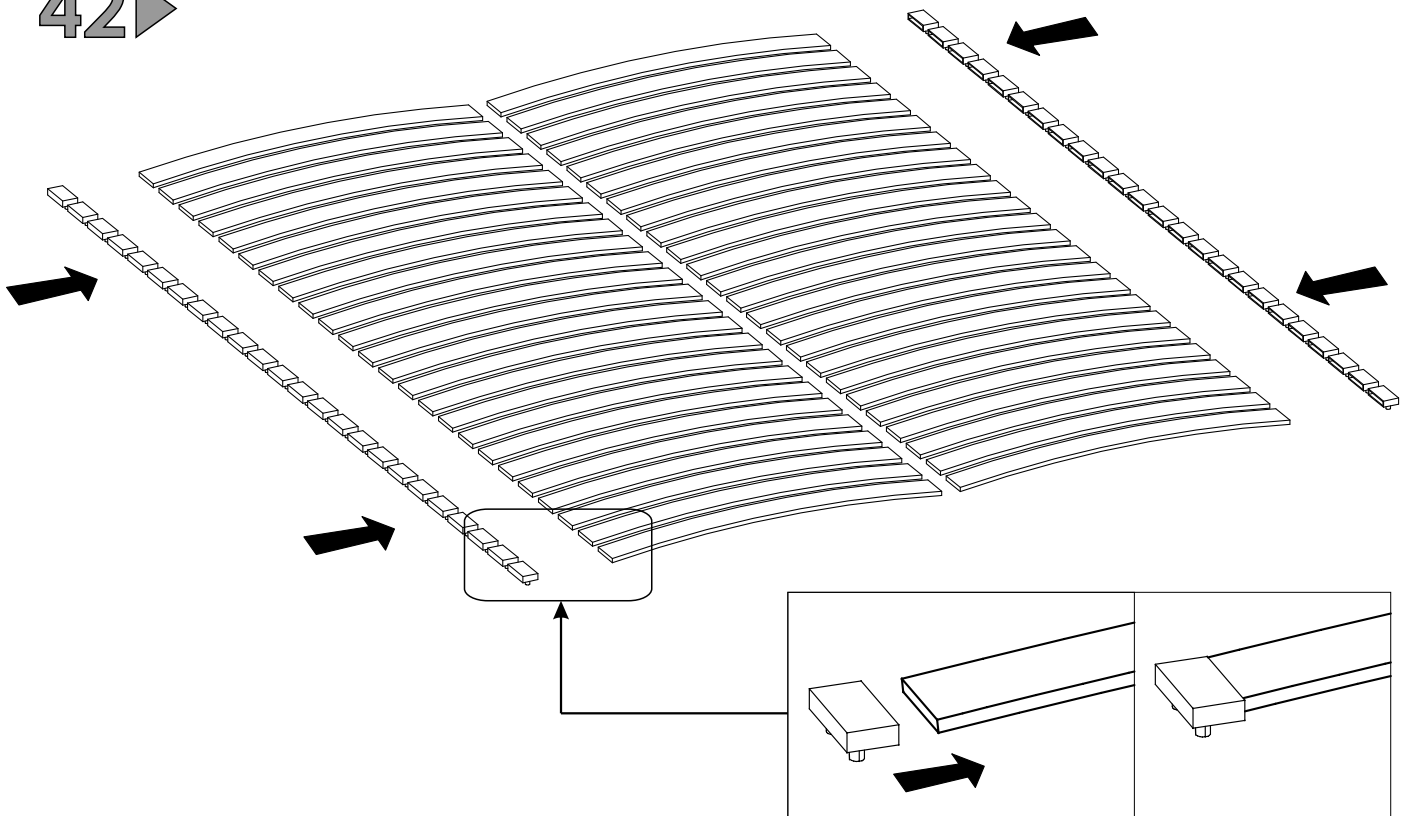
40 ▶



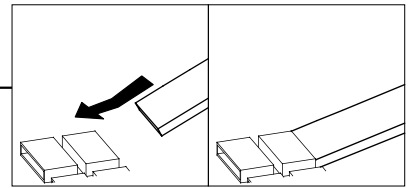
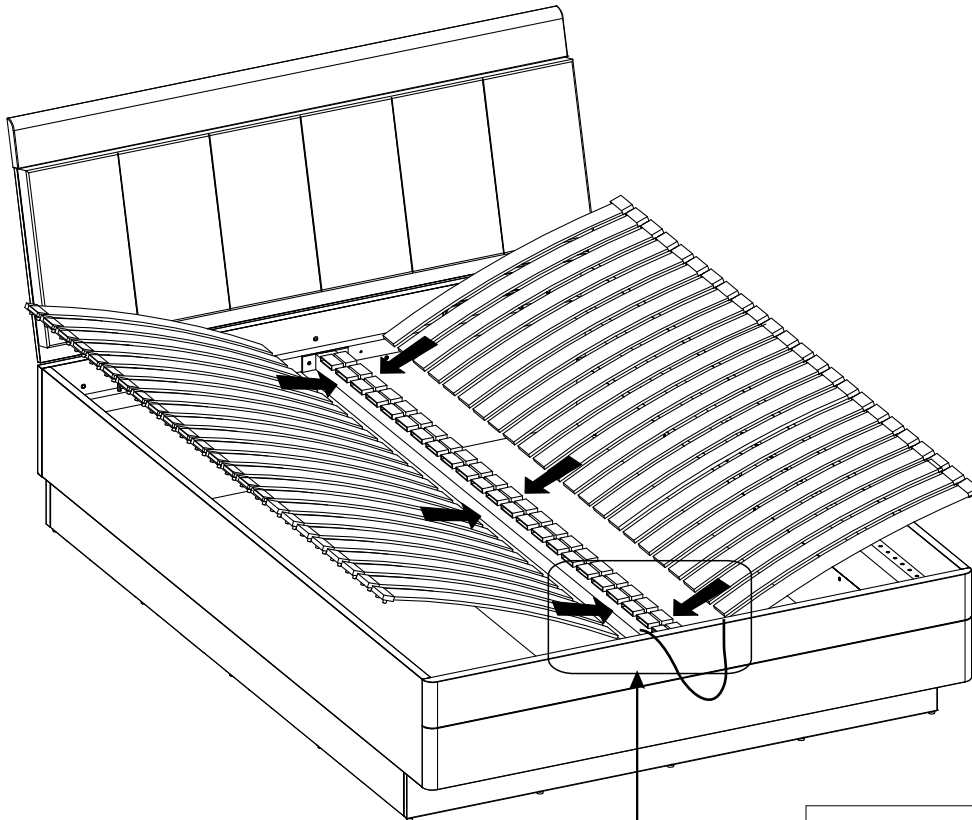
41 ▶



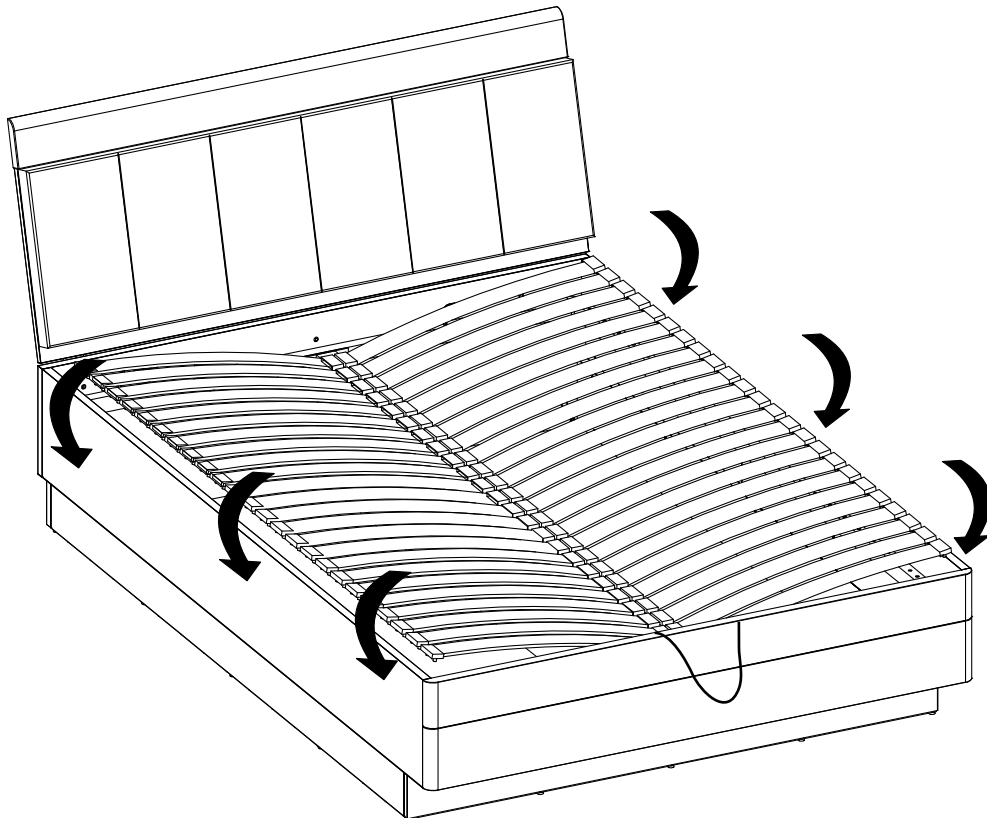
42 ▶

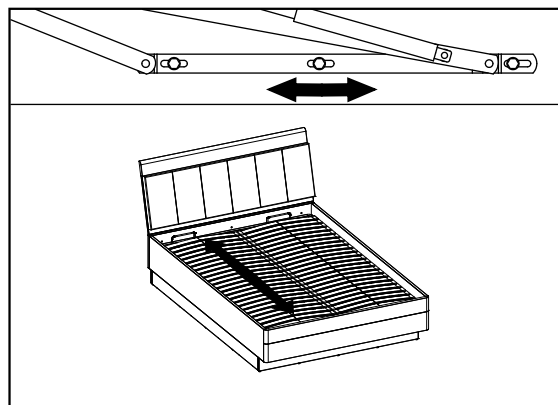
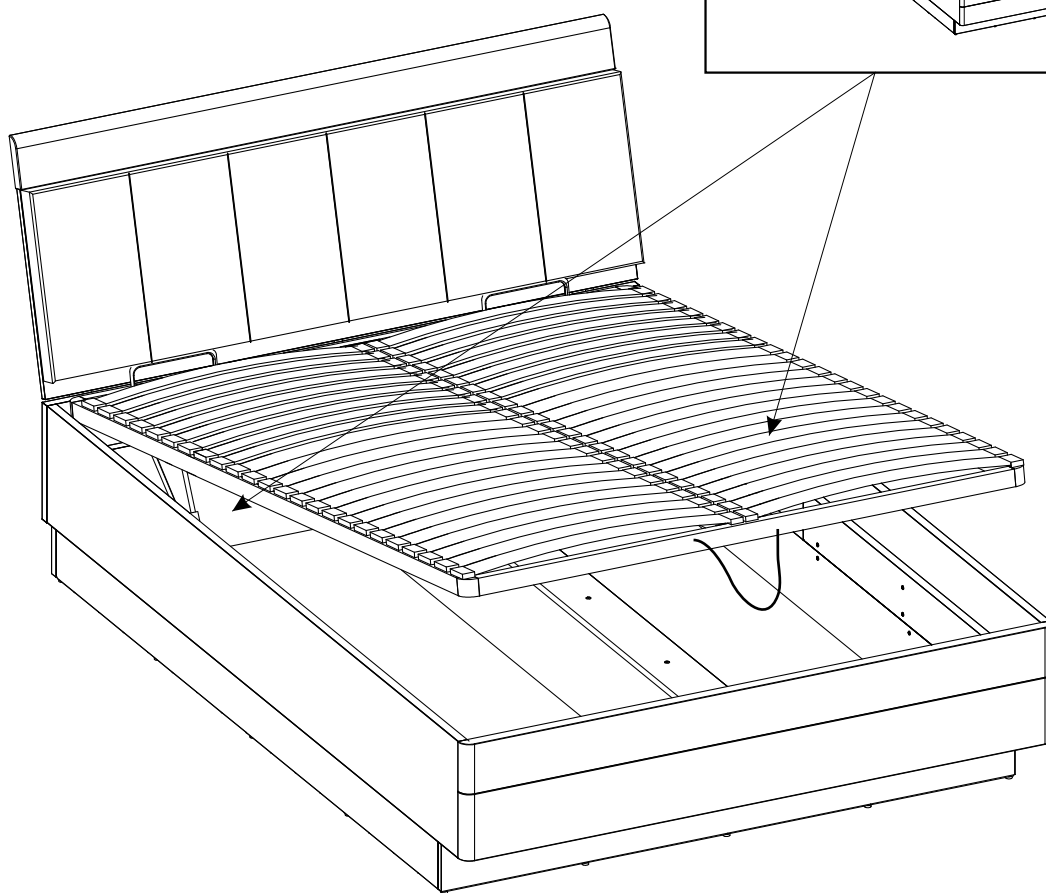


43 ▶



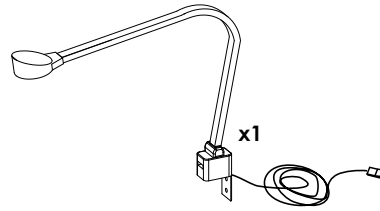
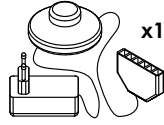
44 ▶





OPTION II

L11



x2

