

ASSEMBLY INSTRUCTION

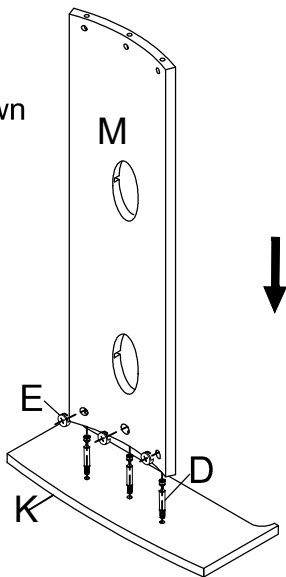
JF204

HELP LINE NUMBER 01443 816982

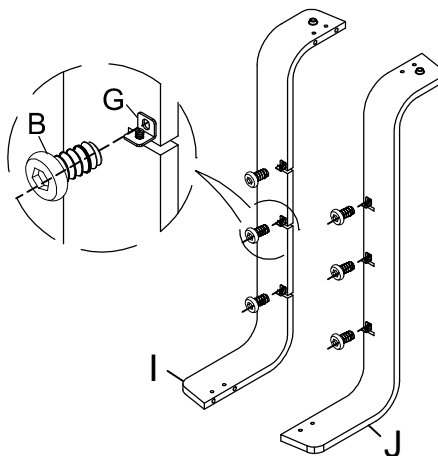
| | | | | | | | |
|---|--|---------------|-------|---|--|--------------|------|
| A | | M4 | 1PC | | | | |
| B | | 1/4"*12mmL | 22PCS | | | | |
| C | | 1/4"*40mmL | 3PCS | | | | |
| D | | M6*35mmL | 11PCS | | | | |
| E | | Ø15*12mmL | 11PCS | | | | |
| F | | 1/4"*13mmL | 3PCS | | | | |
| G | | Shelf clamp | 6PCS | | | | |
| H | | Fixing plates | 4PCS | | | | |
| I | | Left leg | 1PC | | | | |
| J | | Right leg | 1PC | | | | |
| K | | Top panel | 1PC | M | | Rear panel | 1PC |
| L | | Bottom panel | 1PC | N | | Middle glass | 3PCS |

STEP1

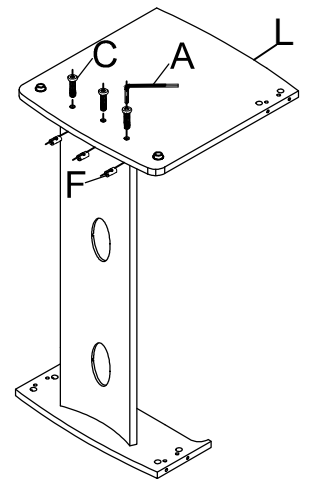
Assemble upside down



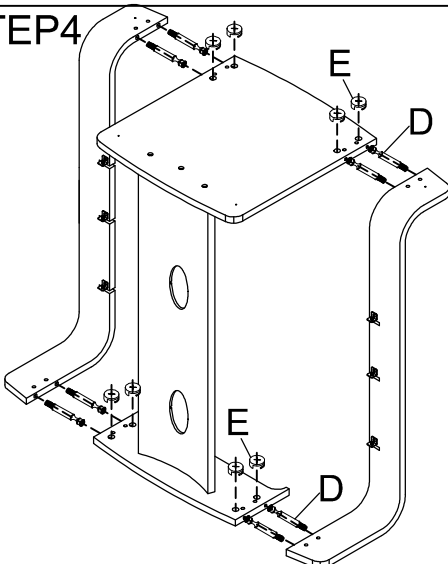
STEP2



STEP3

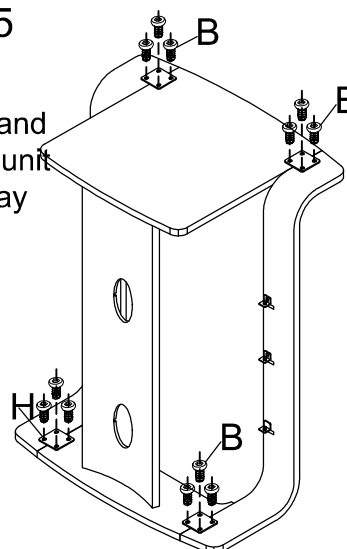


STEP4



STEP5

Fit fixing plates "H" and then turn unit correct way up



STEP6

Tighten shelf clamps "G" to secure glass shelves but do not over tighten

