

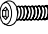







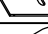
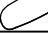


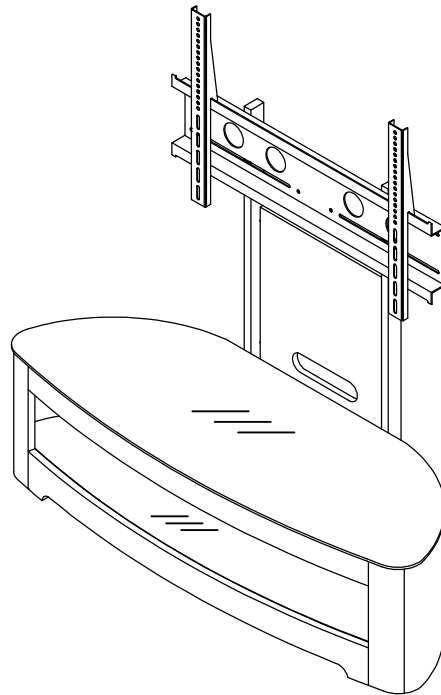


ASSEMBLY INSTRUCTION

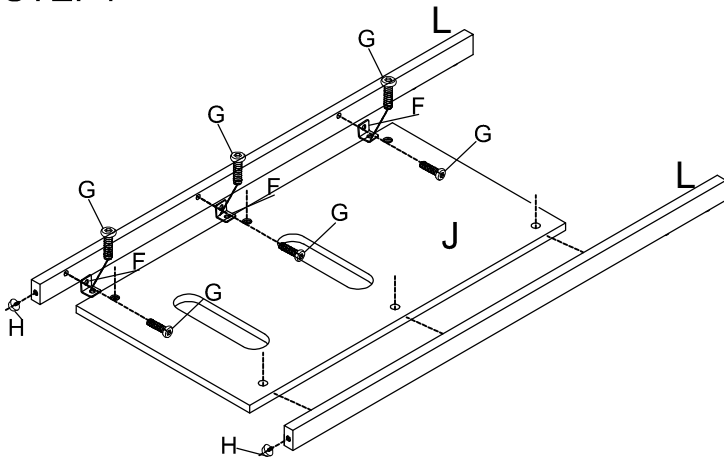
JF 209

HELP LINE NUMBER 01443 816982

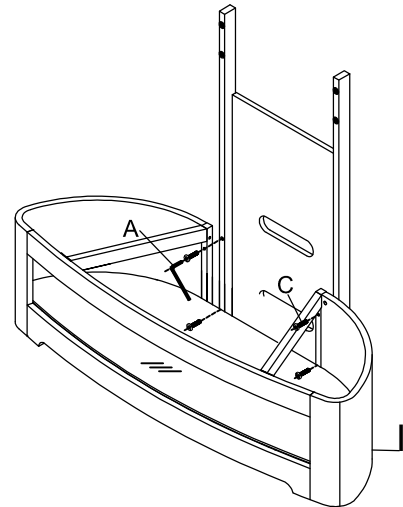
A		M4	1PC
B		M5	1PC
C		1/4"*30mmL	4PCS
D		5/16"*12mmL	4PCS
E		Rubber pad	6PCS
F		"L" Bracket	6PCS
G		1/4"*12mmL	12PCS
H		1/4"*10mmL	2PCS
I		Base unit	1PC
J		Rear panel	1PC
K		Top glass	1PC
L		Back metal frame	2PCS
M		Bracket	1PC
N		Hanging bar	2PCS



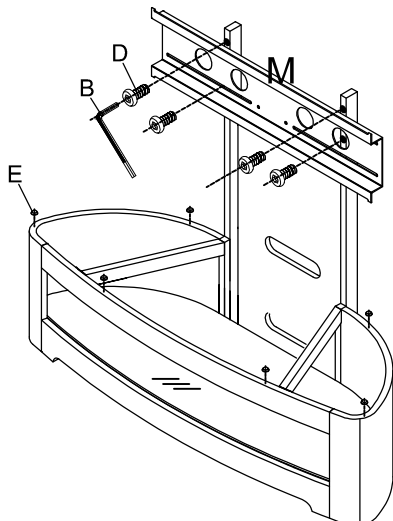
STEP1



STEP2



STEP3



STEP4

