
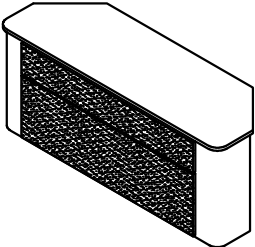



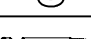


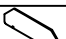
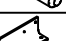



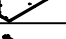







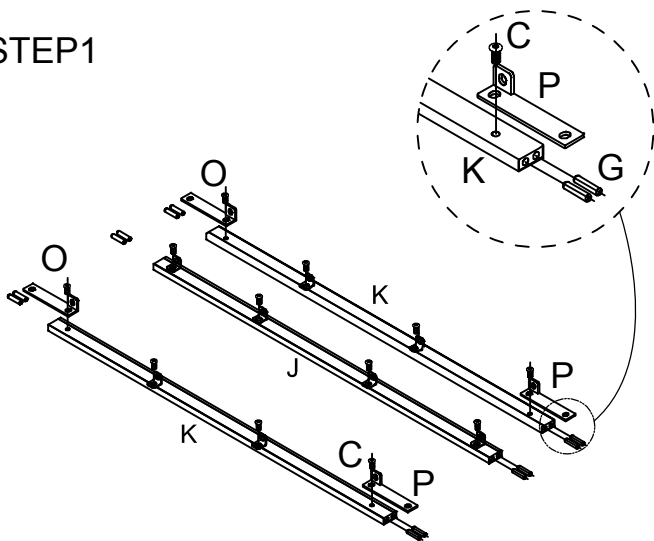
ASSEMBLY INSTRUCTION

JF708 ACOUSTIC STAND

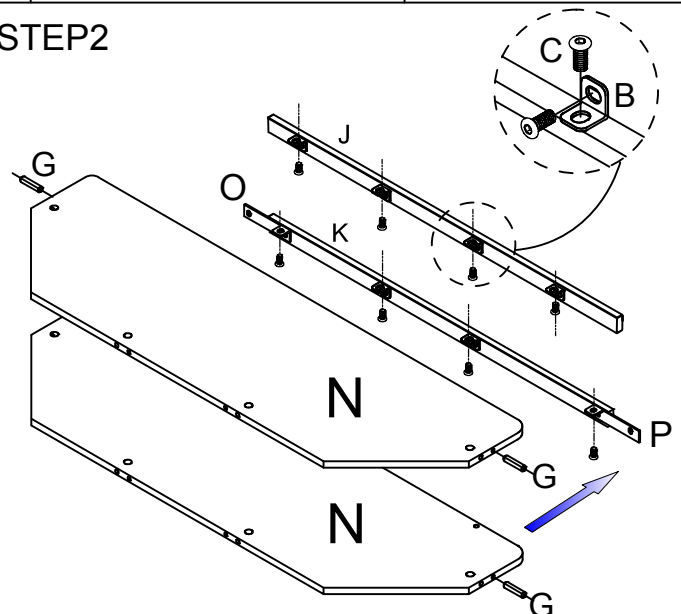
HELP LINE NUMBER:01443 816982

A		M4	1PC				
B		"L" Bracket	8PCS				
C		1/4"*12mmL	28PCS				
D		1/4"*15mmL	6PCS				
E		M6*35mmL	14PCS				
F		Ø15*12mm	14PCS				
G		wooden dowels	26PCS	M		Top panel	1PC
H		Left leg	1PC	N		Middle and bottom panel	2PCS
I		Right leg	1PC	O		Long Bracket (Left)	2PCS
J		Middle bar	1PC	P		Long Bracket (Right)	2PCS
K		Top and bottom bar	2PCS	Q		Top door	1PC
L		Back panel	1PC	R		Lower door	1PC

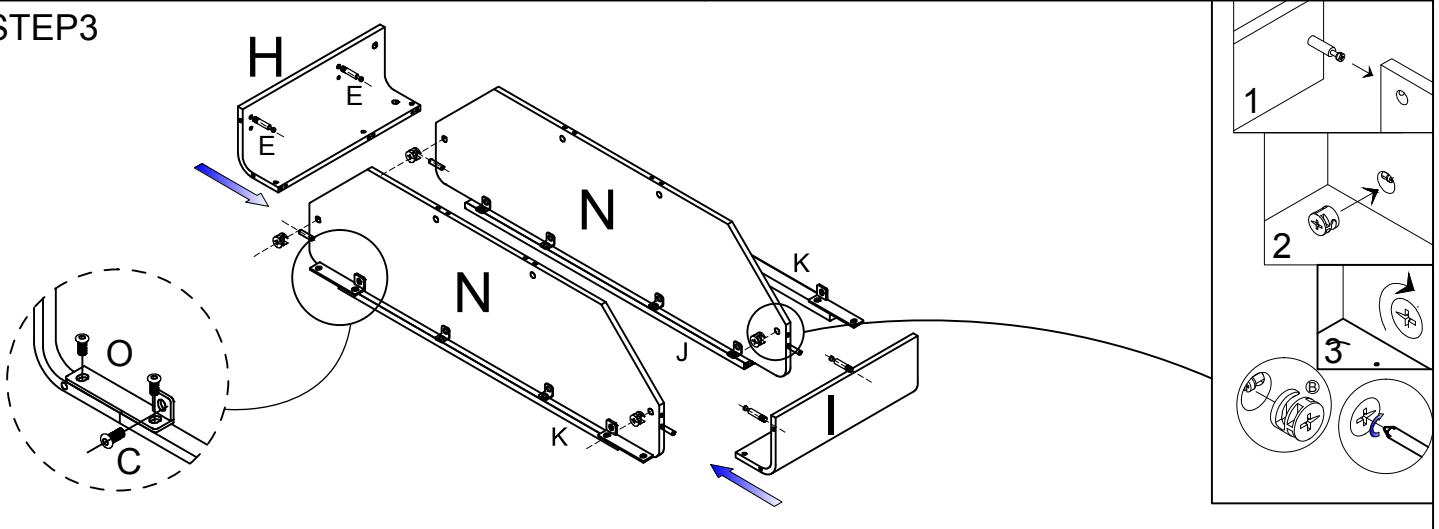
STEP1



STEP2




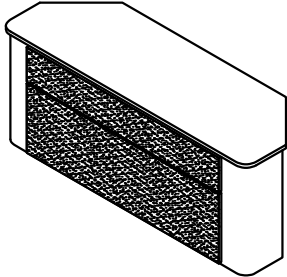



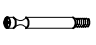







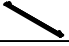
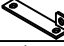
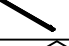



STEP3



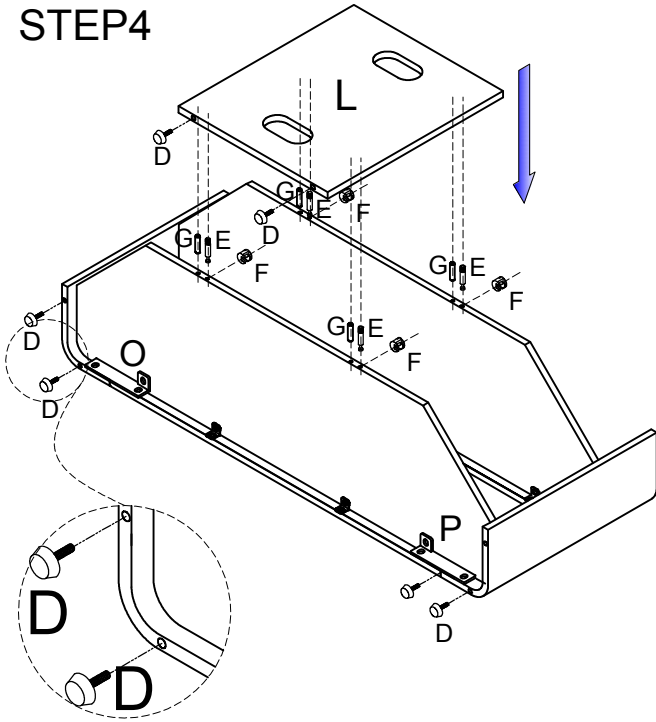
ASSEMBLY INSTRUCTION

JF708 ACOUSTIC STAND

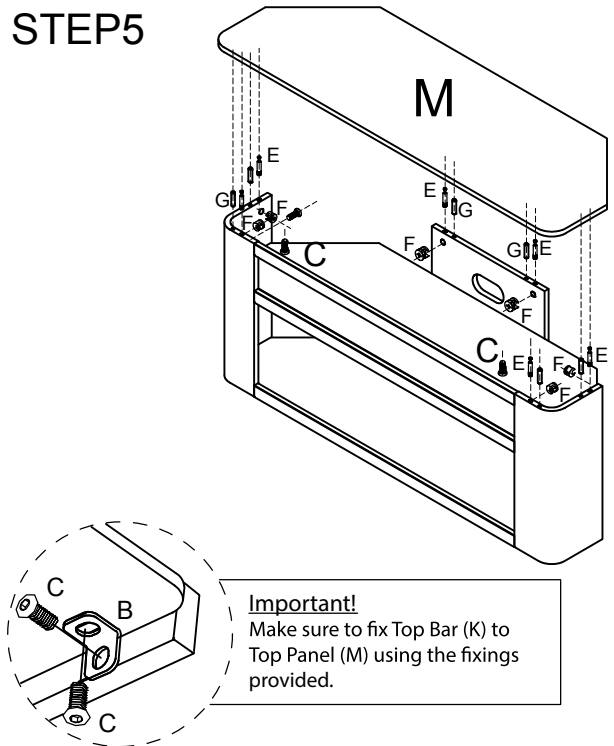
HELP LINE NUMBER:01443 816982

A		M4	1PC				
B		"L" Bracket	8PCS				
C		1/4"*12mmL	28PCS				
D		1/4"*15mmL	6PCS				
E		M6*35mmL	14PCS				
F		Ø15*12mm	14PCS				
G		wooden dowels	26PCS	M		Top panel	1PC
H		Left leg	1PC	N		Middle and bottom panel	2PCS
I		Right leg	1PC	O		Long Bracket (Left)	2PCS
J		Middle bar	1PC	P		Long Bracket (Right)	2PCS
K		Top and bottom bar	2PCS	Q		Top door	1PC
L		Back panel	1PC	R		Lower door	1PC

STEP4



STEP5



STEP6

Before fitting the front panels to the TV stand, please remove the protective plastic cover from the metal bars.

