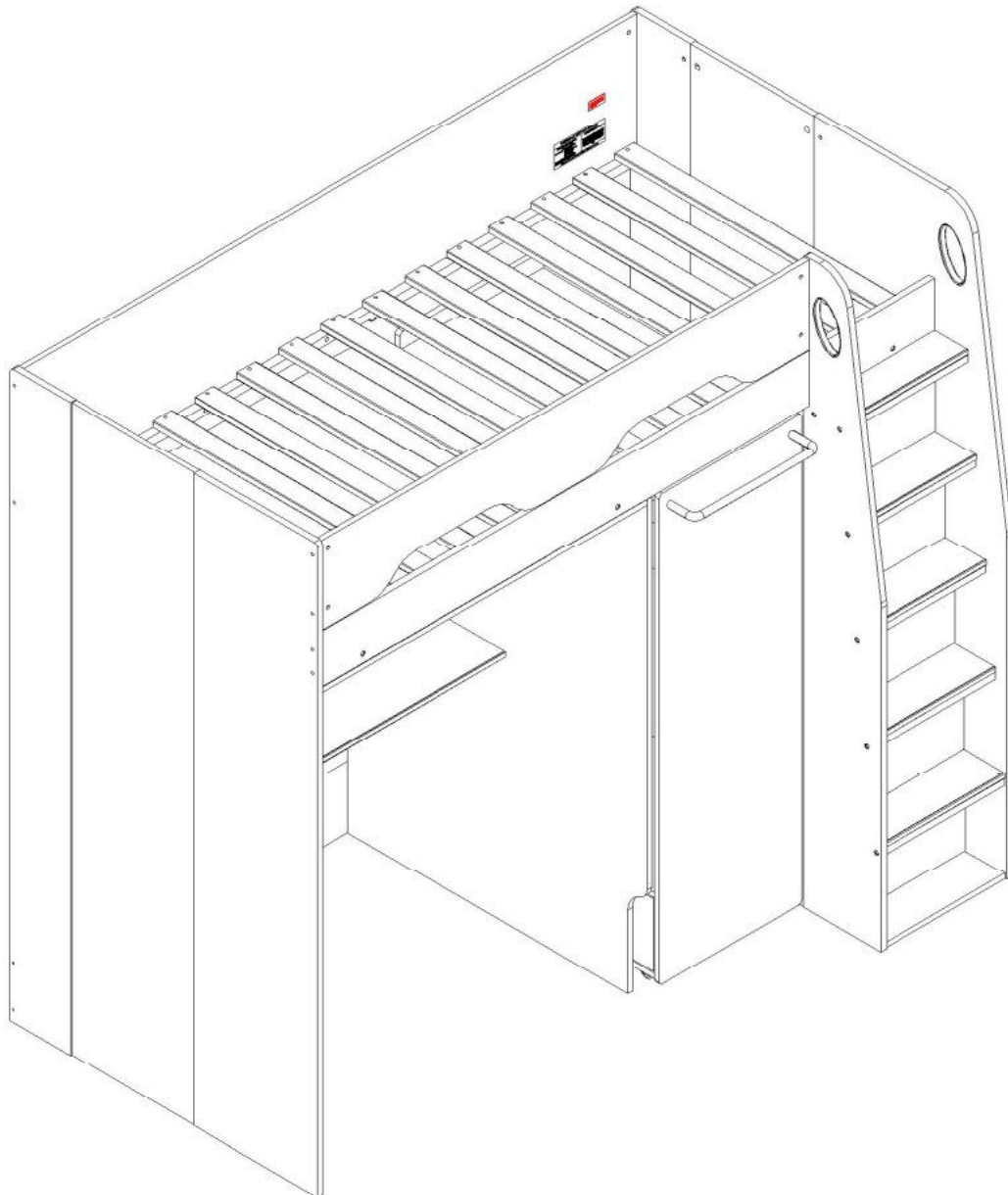
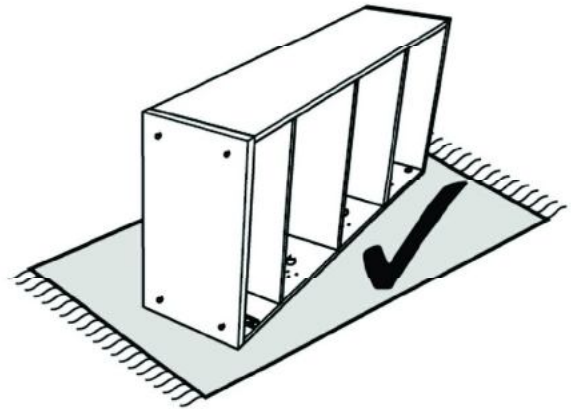
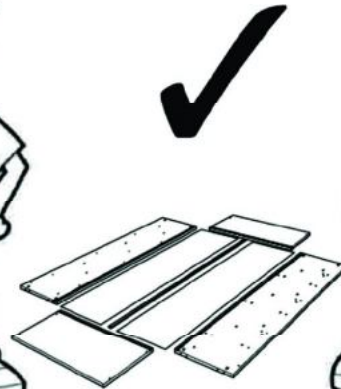
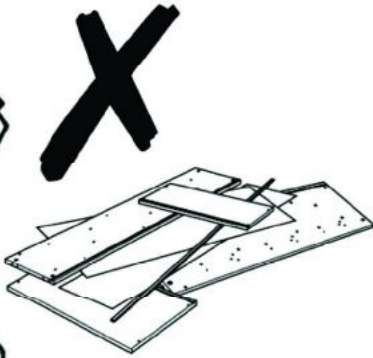
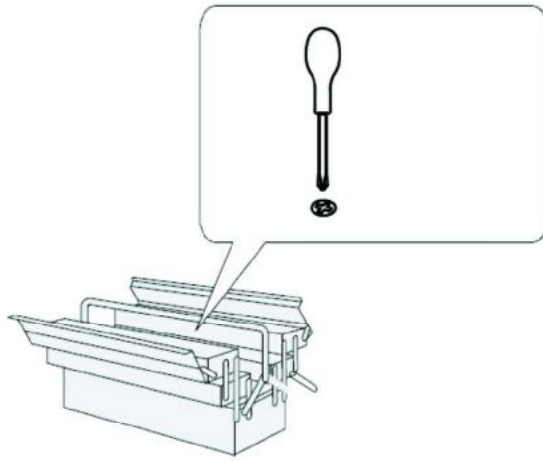


**IMPORTANT - READ CAREFULLY - RETAIN  
FOR FUTURE REFERENCE**

# **Higsleeper**

## **Assembly Instructions**





**Customer Service**  
**(01623 727374)**

# HARDWARE

A



Cam Stud  
71PCS

B



Cam  
83PCS

C



Contractfix Dowel  
12PCS

D



M8 x 25mm  
156PCS

E



M6 x 40mm  
7PCS

F



M4 x 45mm  
19PCS

G



M4 x 38mm  
16PCS

H



M4 x 22mm  
20PCS

J



M3.5 x 14mm  
98PCS

Q



PVC Support  
5PCS

T



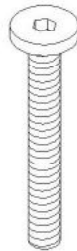
M6 x 13mm  
18PCS

U



M6 Round Nut  
12PCS

V



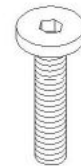
M6 x 50mm  
18PCS

W



M6 x 35mm  
21PCS

X



M6 x 30mm  
33PCS

Y



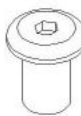
M6 x 25mm  
3PCS

Z



M6 x 15mm  
6PCS

Z1



M6  
7PCS

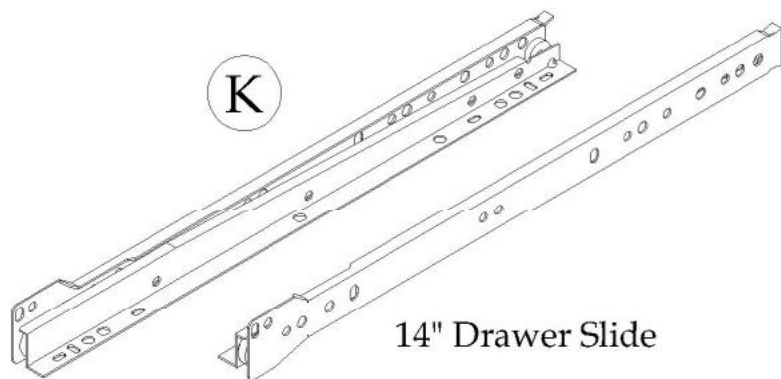
Z3



18mm Pin  
14PCS

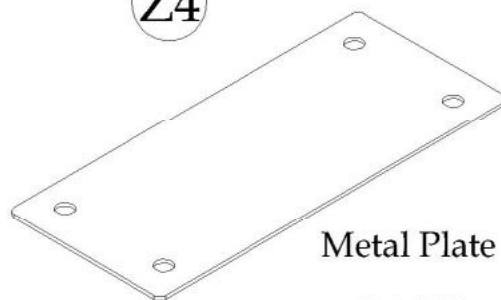
# HARDWARE

(K)



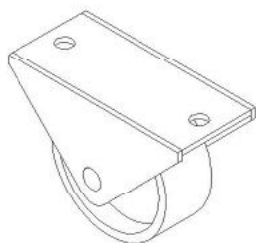
14" Drawer Slide  
4 SET

(Z4)



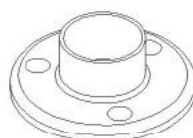
Metal Plate  
1PCS

(L)



Caster  
5PCS

(M)



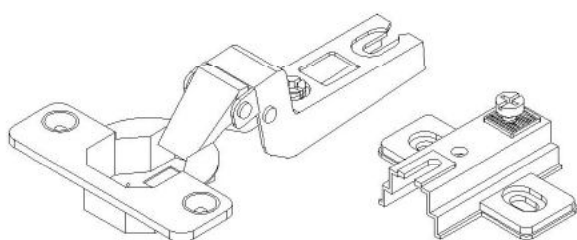
Complete Helder  
2PCS

(N)



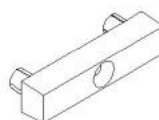
PVC Back Support  
20PCS

(P)



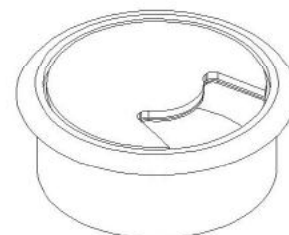
Hinges Arm (Dix)  
10 SET

(R)



Door Stopper  
2PCS

(S)



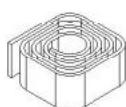
PVC Cap  
1PCS

(Z2)



M4  
2PCS

(Z5)



Noise Sealing Strip (190mm)  
1PCS

(Z6)



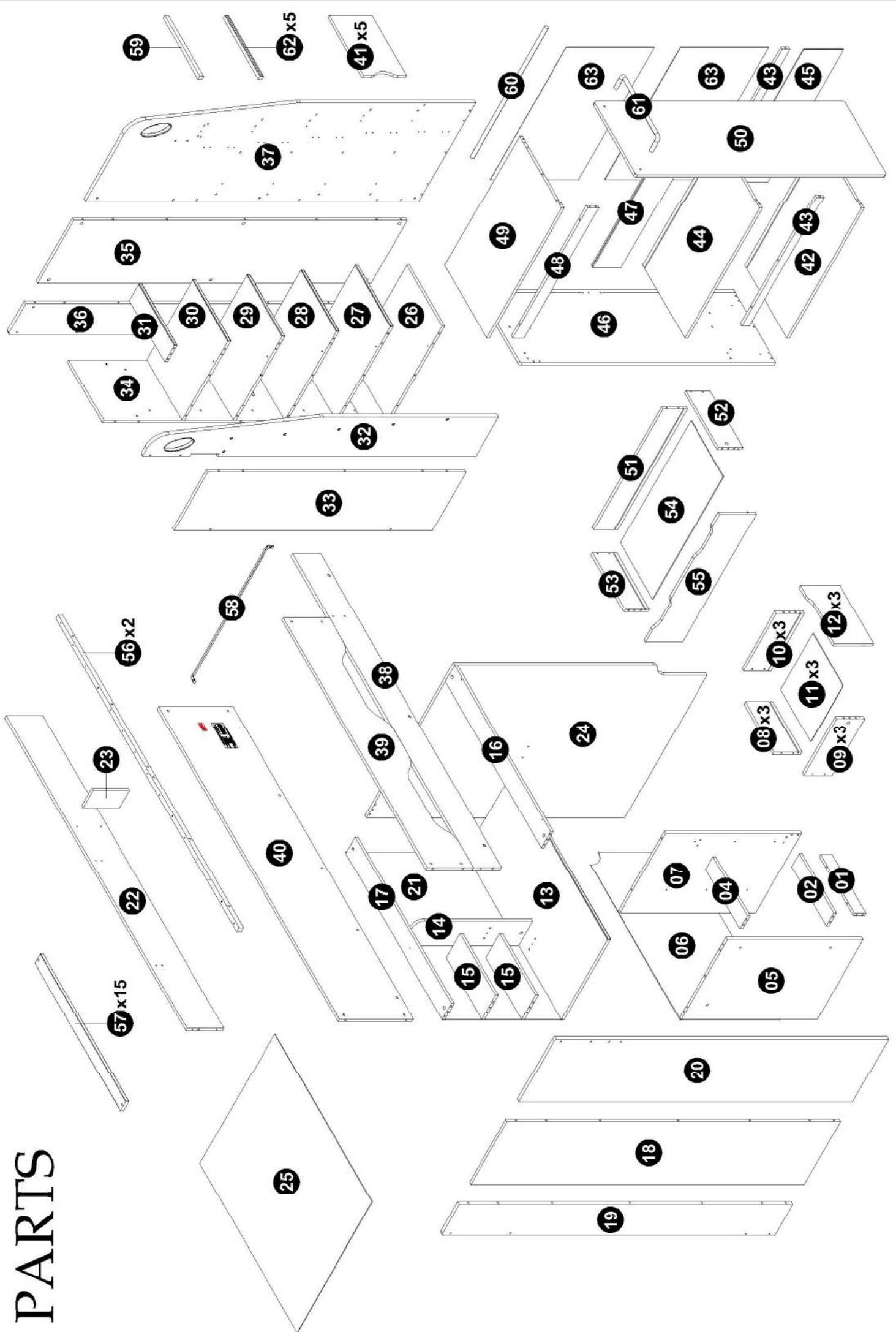
Sticker (white)  
16PCS

(Z7)



Sticker (silver)  
12PCS

# PARTS





## IMPORTANT INFORMATION

**WARNING** - High Beds and the upper bed of bunk beds are not suitable for children under six years due to the risk of injury from falls.

**WARNING** - Bunk beds and high beds can present a serious risk of injury from strangulation if not used correctly. Never attach or hang items to any part of the bunk bed that are not designed to be used with the bed, for example, but not limited to ropes, st rings, cords, hooks, belts and bags.

**WARNING** - Children can become trapped between the bed and the wall, a roof pitch, the ceiling, adjoining pieces of furniture (e.g.cupboards) and the like. To avoid risk of serious injury the distance between the top safety barrier and the adjoining structure shall not exceed 75mm or shall be more than 230mm.

**WARNING** - Do not use the bunk bed / high bed if any structural part is broken or missing. It is recommended that you always follow the manufacturer's instructions to assemble this product.

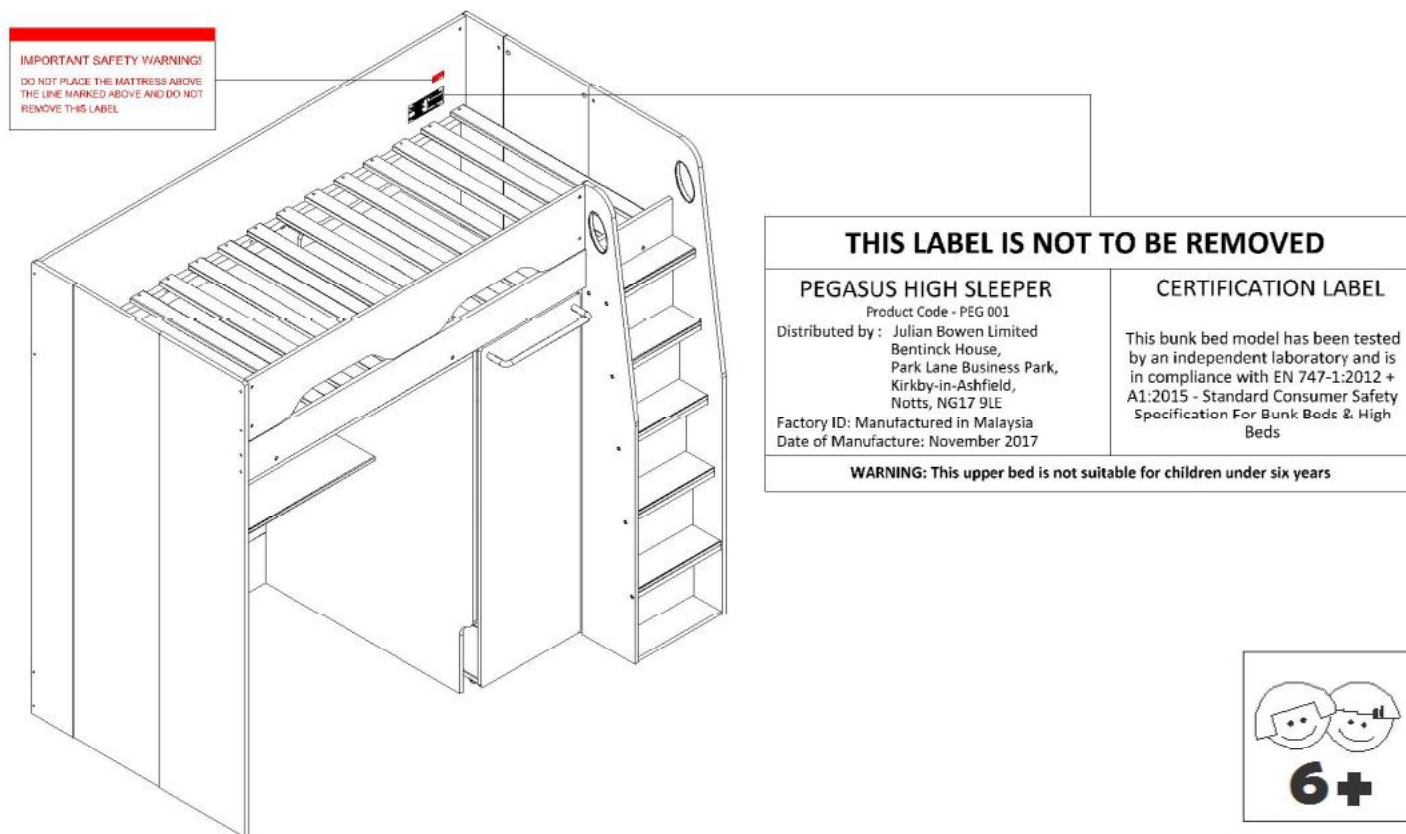
Always follow the manufacturer's recommended mattress size, as per these instructions and the bunk bed / high bed maximum mattress height marking on the item:

Recommended Mattress Size: 90cm x 190cm (UK Single) with Maximum Depth of 18.0cm

It is necessary to frequently ventilate the room in order to keep the humidity low and to prevent mold in and around the bed.

Please periodically check all the fixings of the item and re-tighten when necessary.

This item conforms to European Safety Standards - BS EN 747-1: 2012 + A1: 2015.



# Safety Advice

Please take the time to carefully read through the whole of these instructions before you commence.

Keep these instructions for future reference.

Unpack, inspect and check off all of the contents.

Please dispose of all packaging safely.

Small component parts could choke a child if swallowed.

We strongly recommend that you keep children well away from the work area.

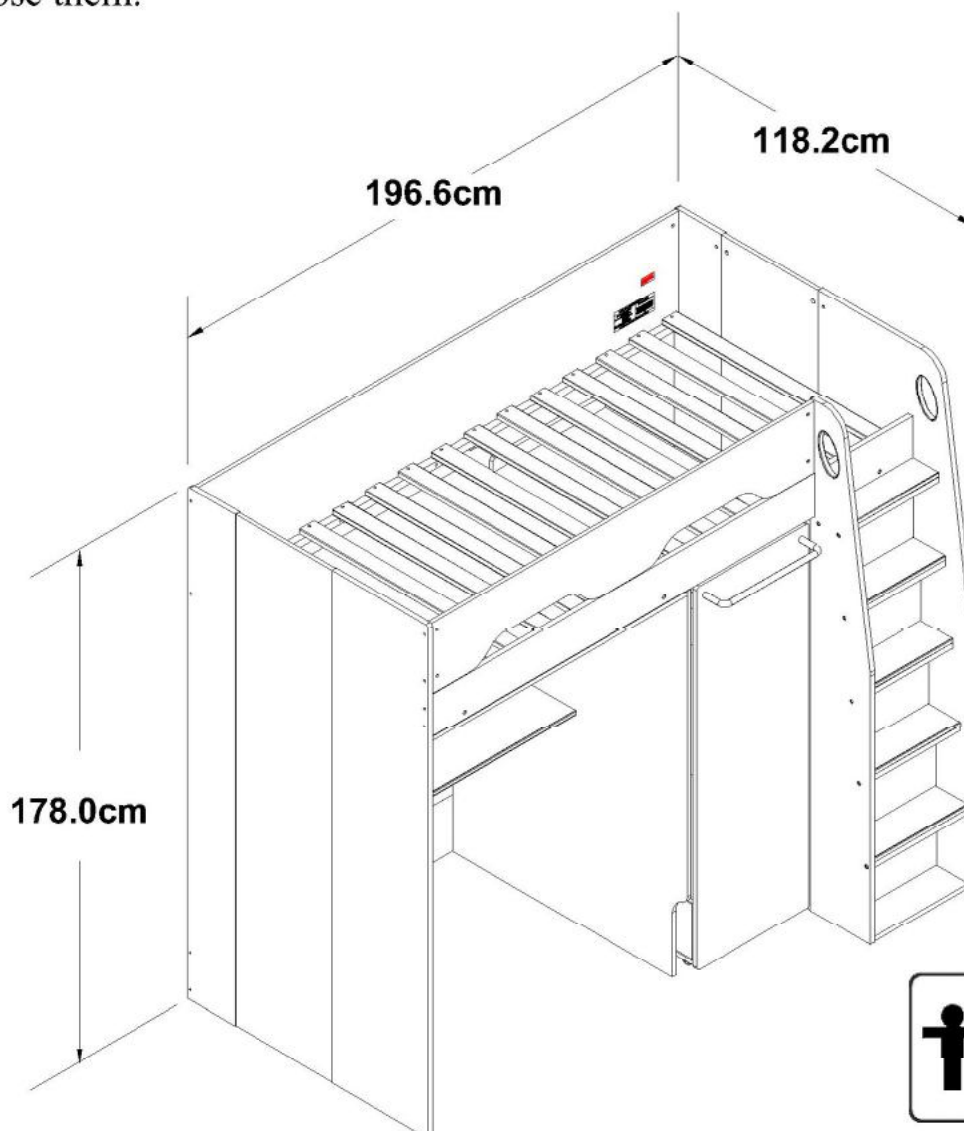
It would be sensible to lay a sheet or blanket on the floor where you intend to work to avoid scratching this product and to protect your floor.

This product is heavy. Take extreme care when lifting to avoid personal injury or damage to the product.

Assemble the product as close to its intended final position in the room as possible.

Please check the contents of boxes before attempting to assemble this product. A full checklist of parts and fittings is given in page 5 of this instruction leaflet.

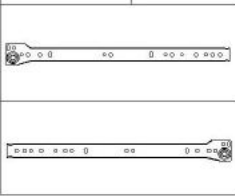
**HANDY HINT:** If you keep the hardware in a bowl during assembly you will be less likely to lose them.



1

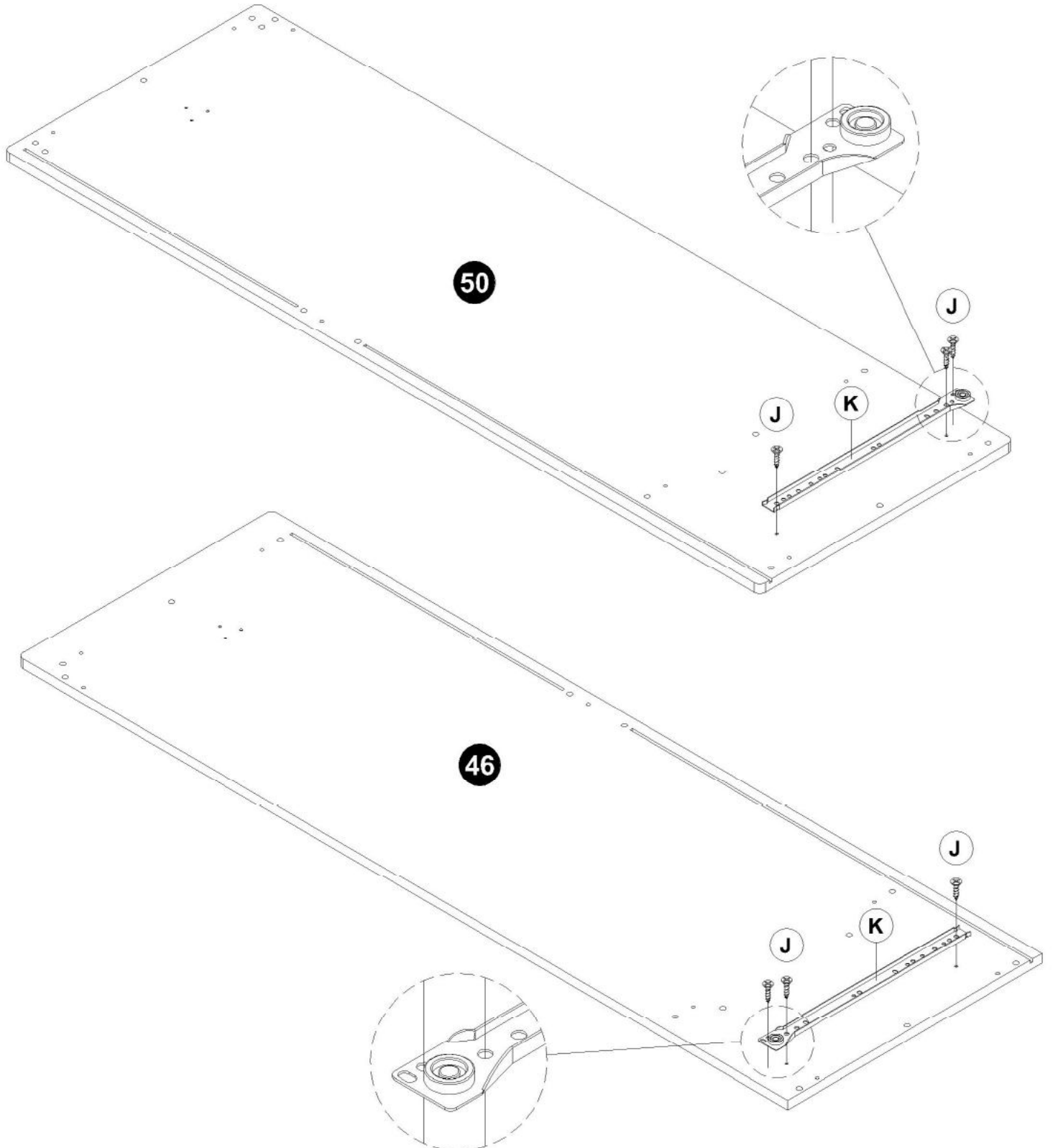
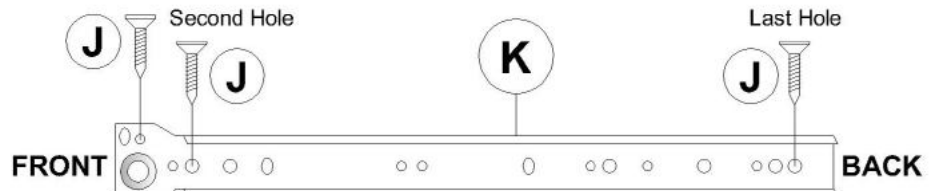


J x 6



K x 1 set

To Assembly the Drawer Slide, Please Follow Step as Below





2



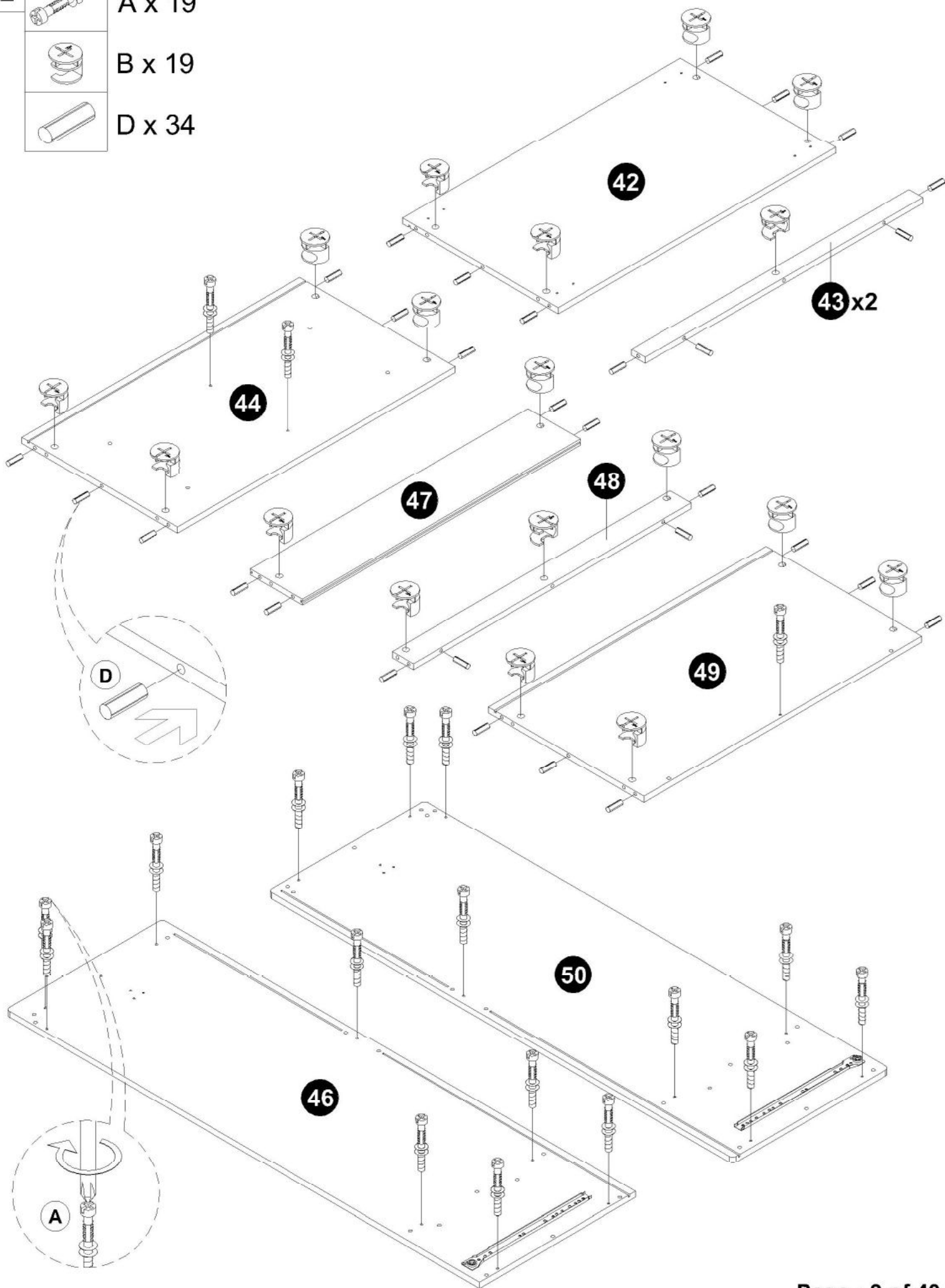
A x 19



B x 19



D x 34



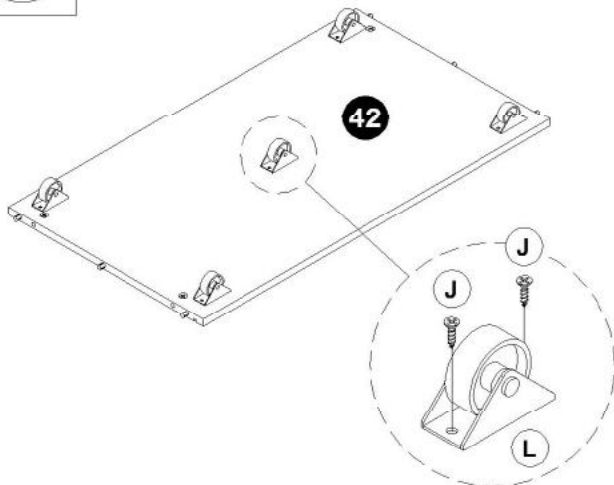
3



J x 10



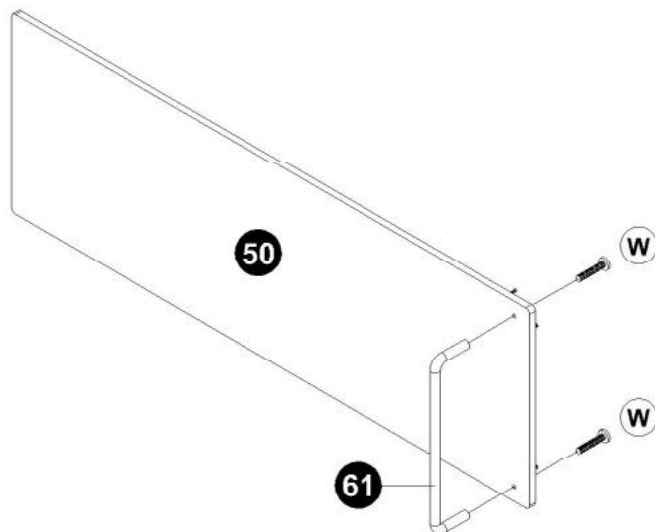
L x 5



4

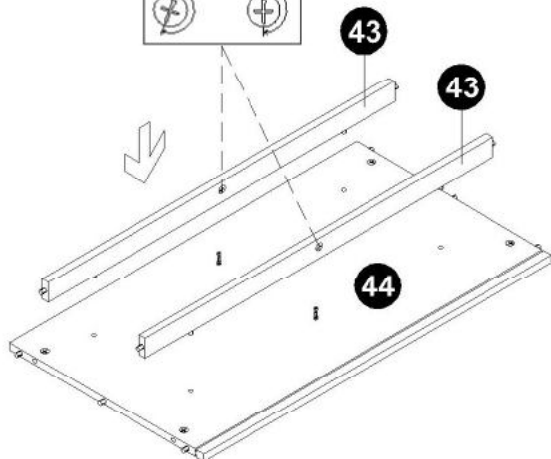


W x 2

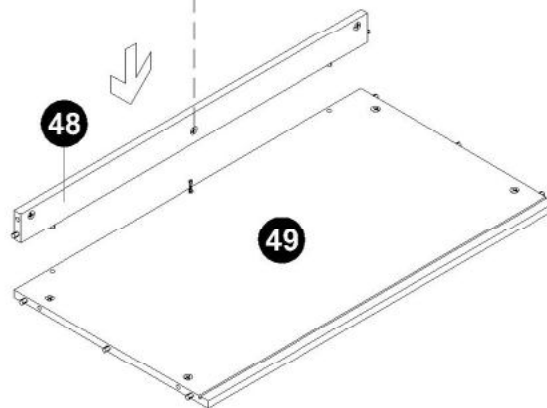
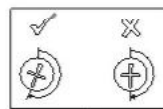


5

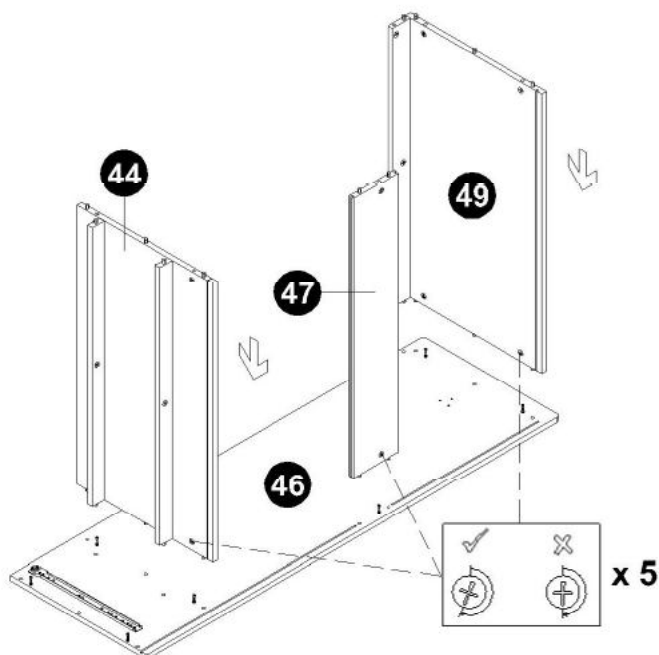
x 2



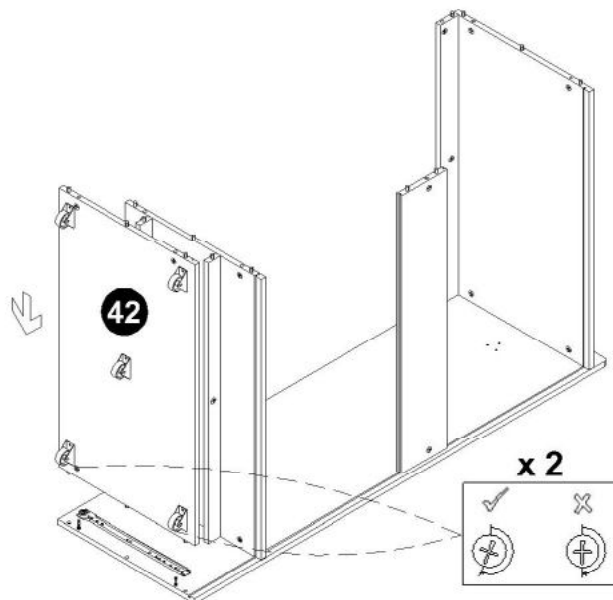
6

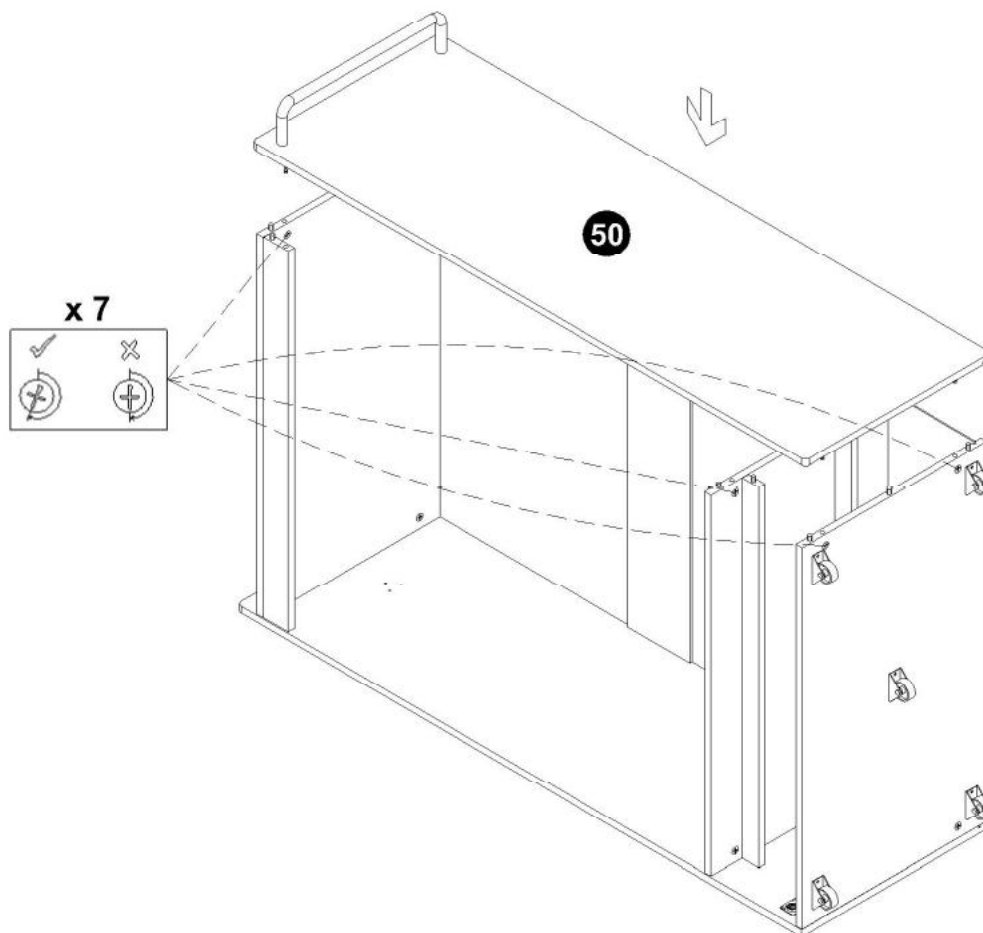
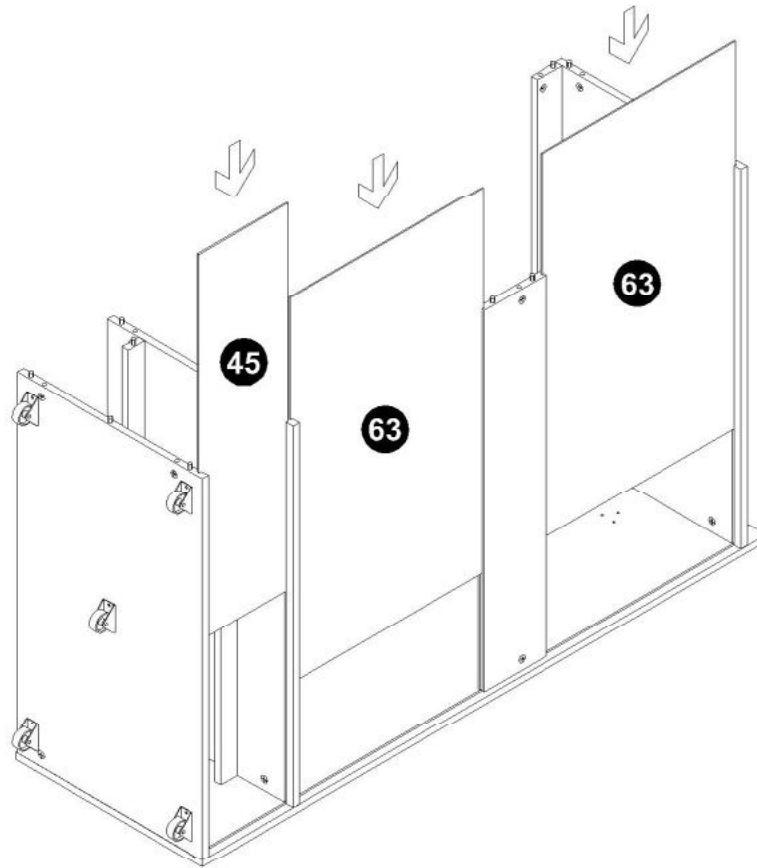


7



8





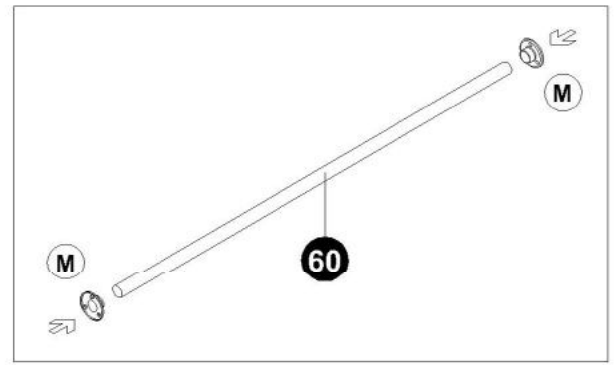
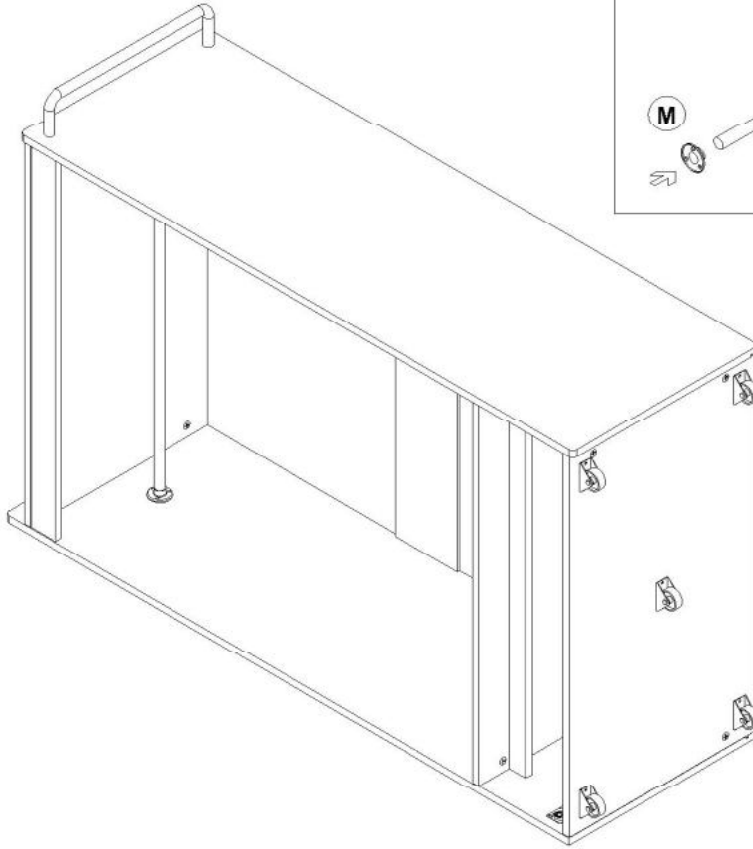
11



J x 6



M x 2



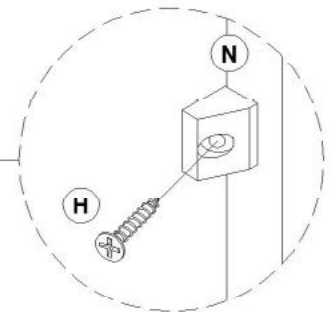
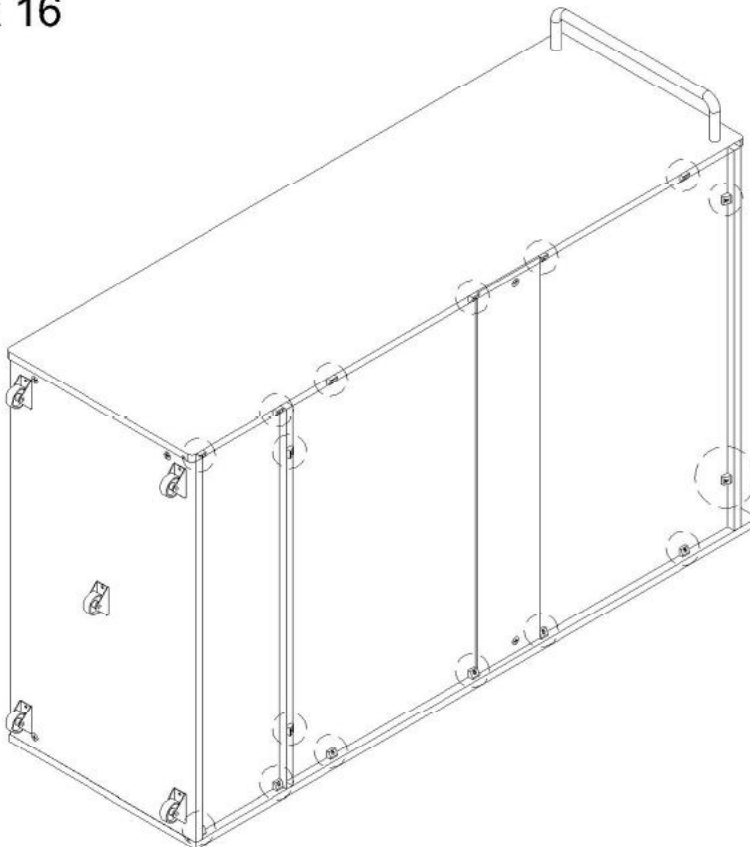
12






H x 16

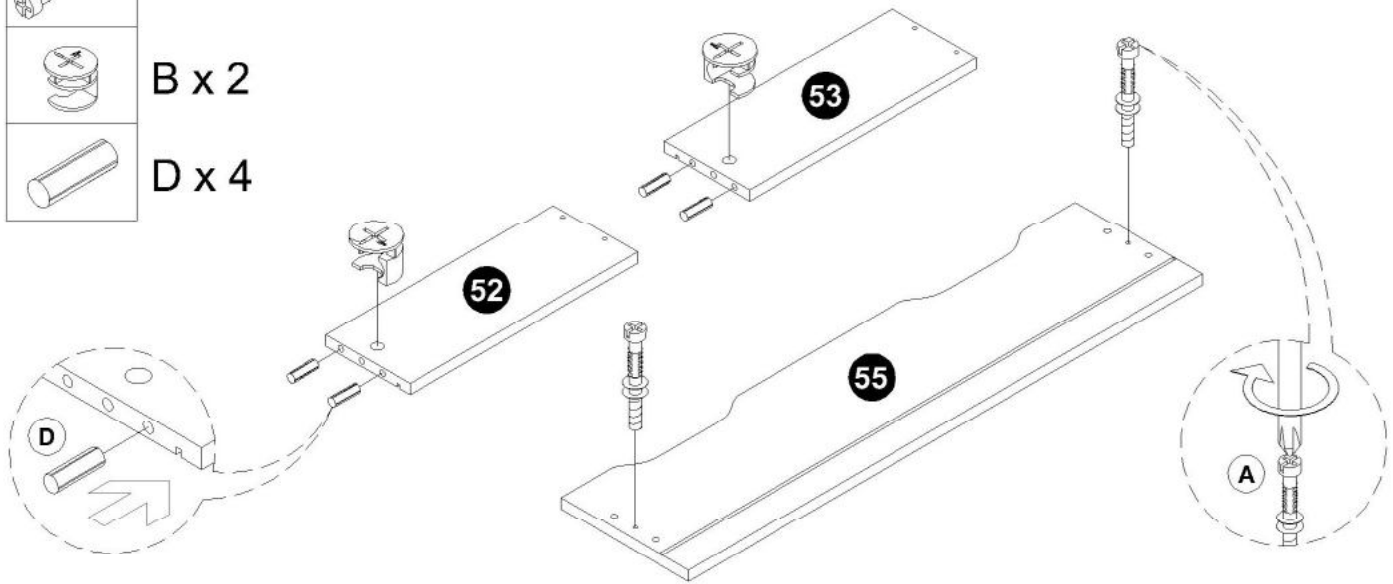



N x 16

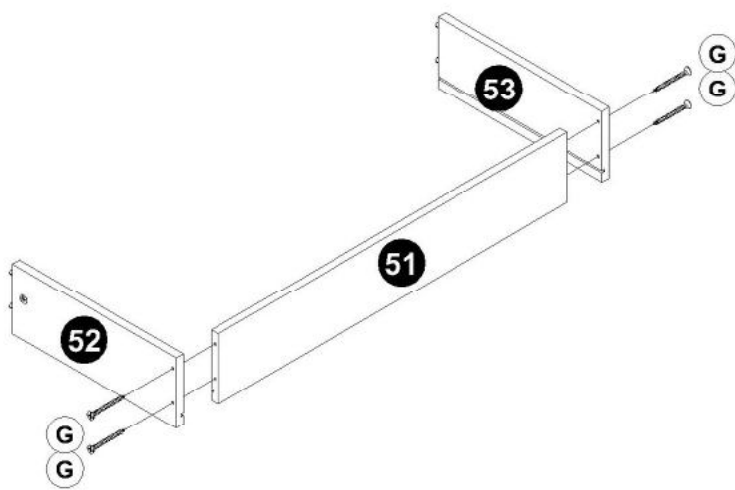




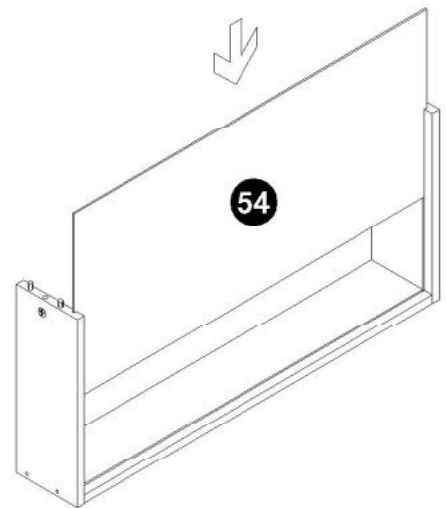
- 13
-  A x 2
  -  B x 2
  -  D x 4



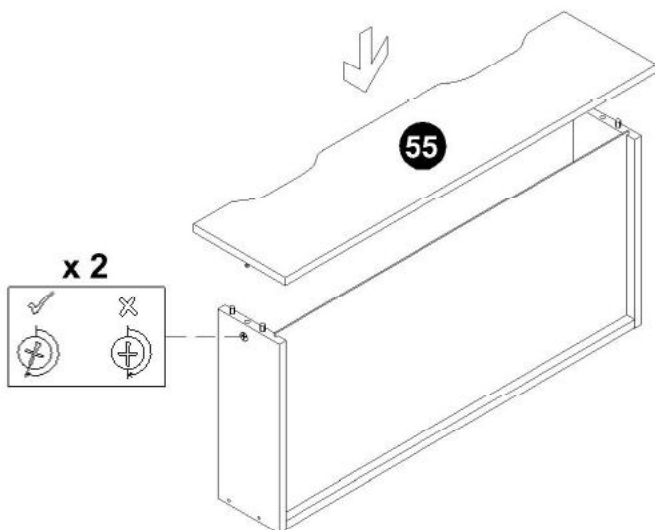
- 14
-  G x 4



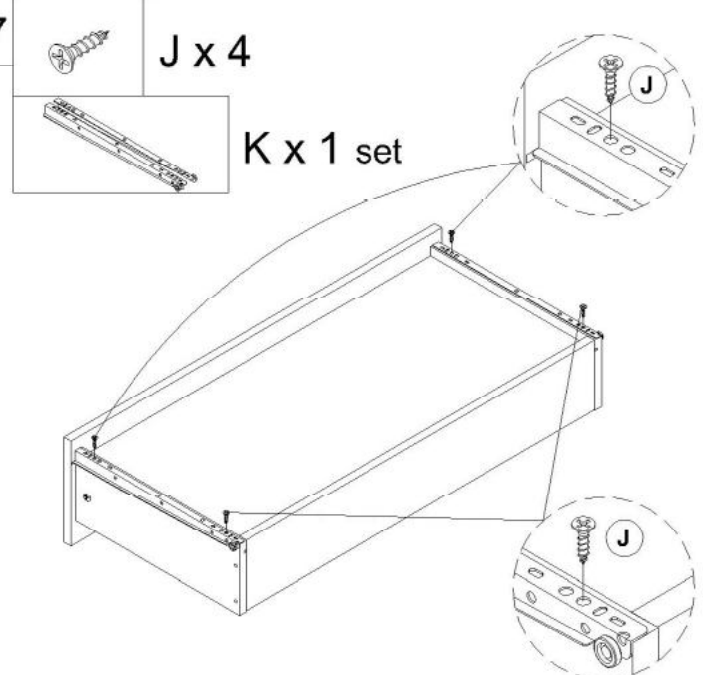
15



16



17



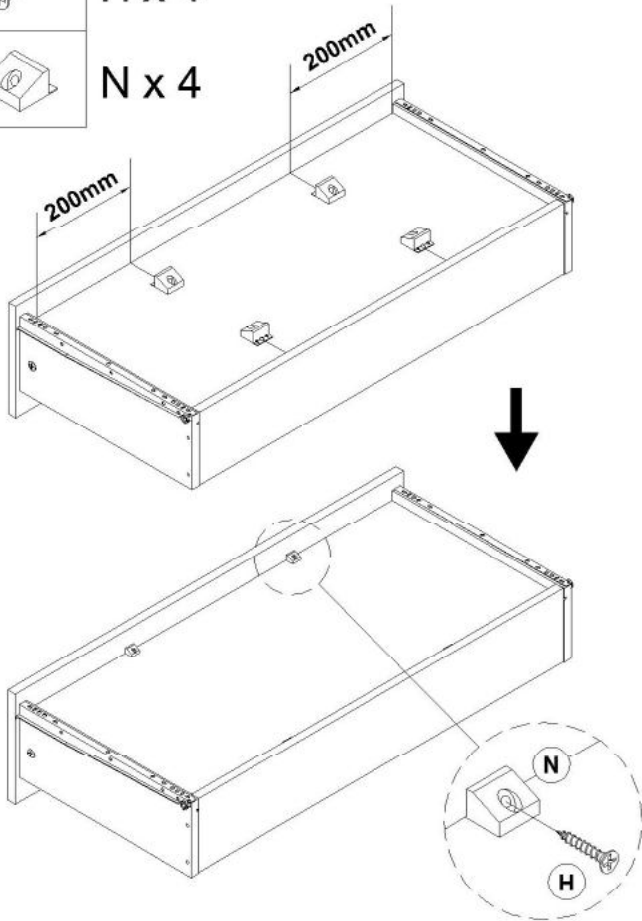
18



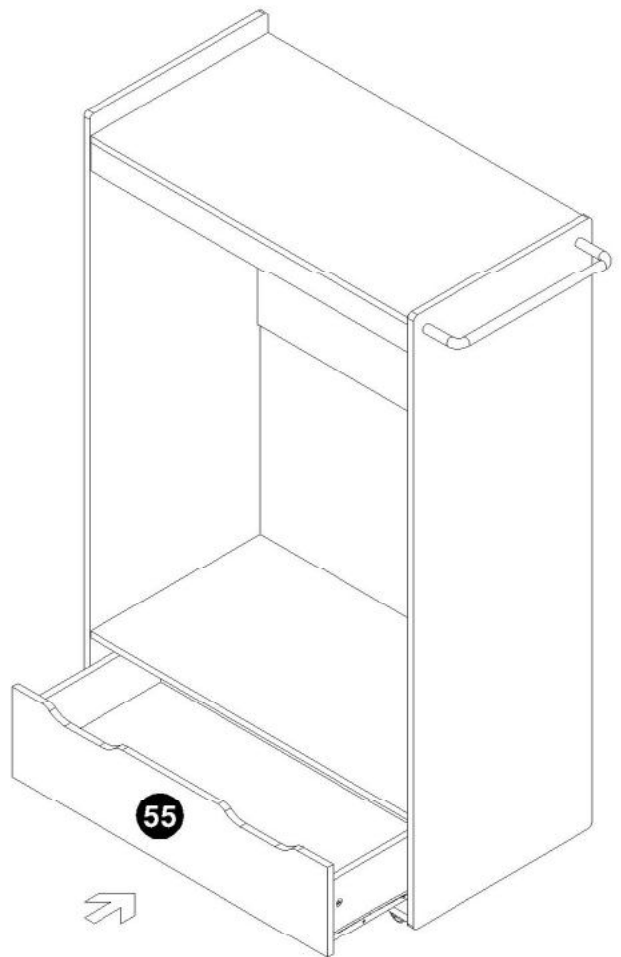
H x 4



N x 4



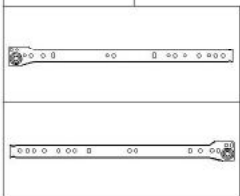
19



20

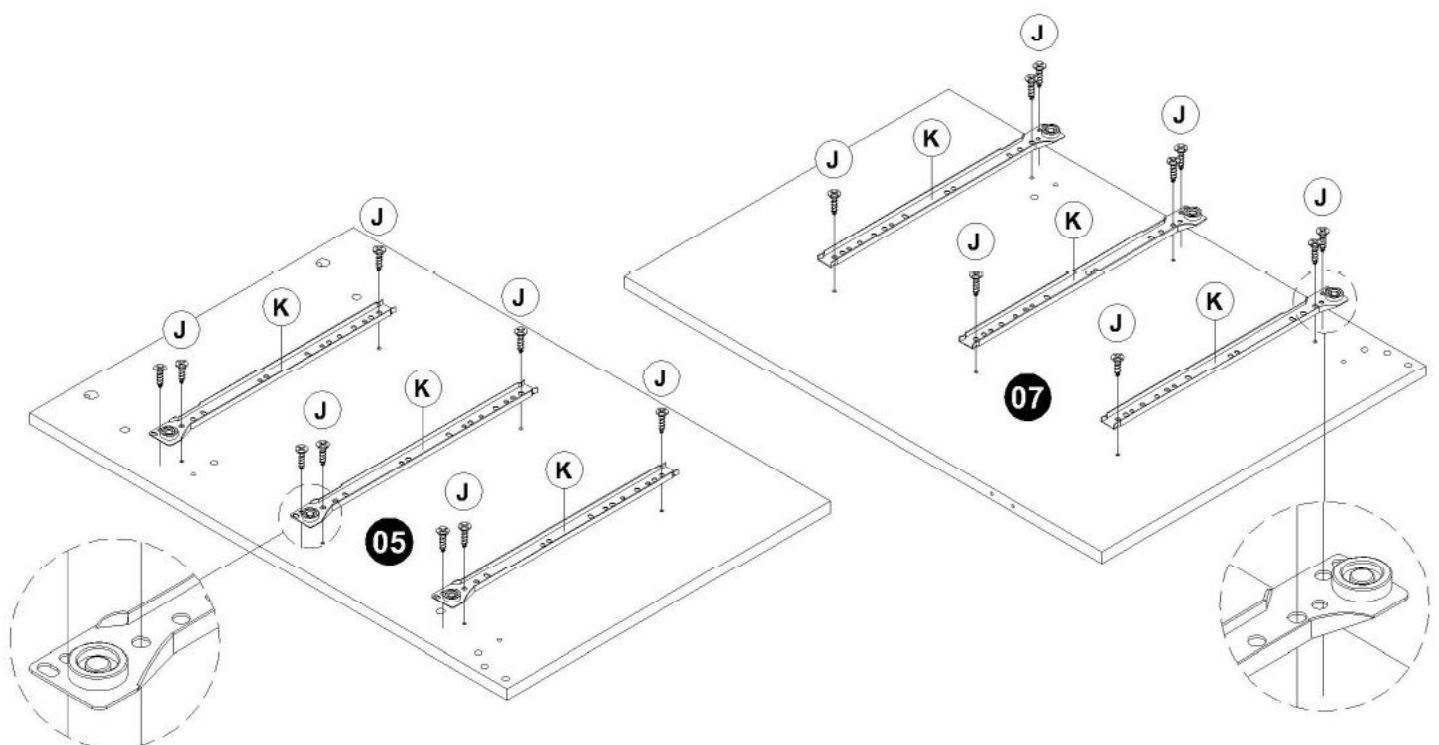
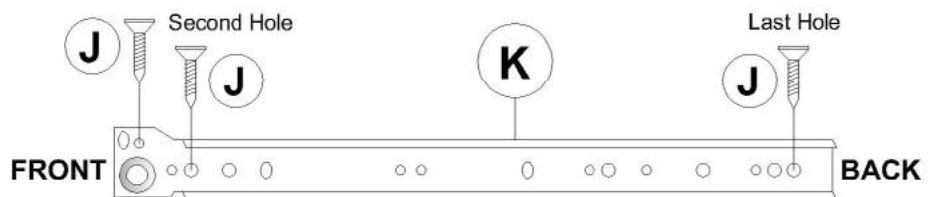


J x 18



K x 3 sets

To Assembly the Drawer Slide, Please Follow Step as Below



21



A x 4



B x 6

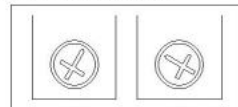


D x 15

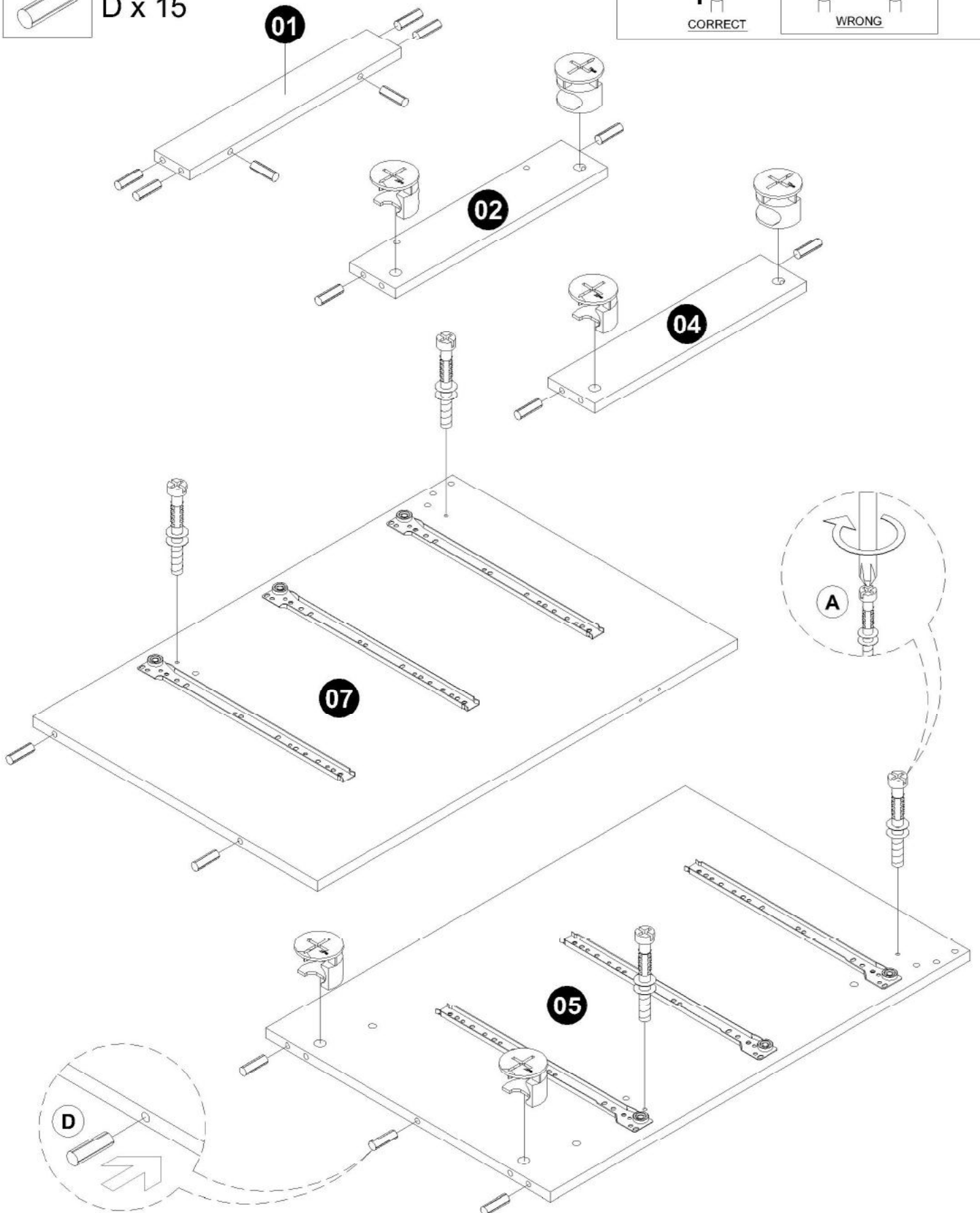
**WHEN FITTING CAMS**  
ENSURE STARTING POSITION IS CORRECT  
BEFORE YOU INSERT CONNECTING BOLT  
TURN CLOCKWISE UNTIL SECURE



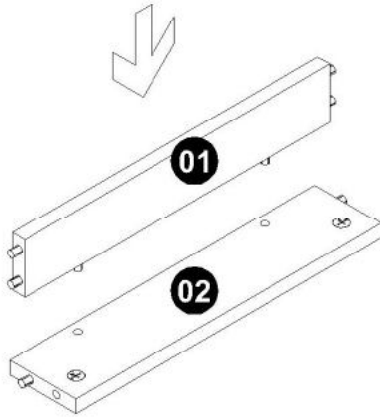
↑  
CORRECT



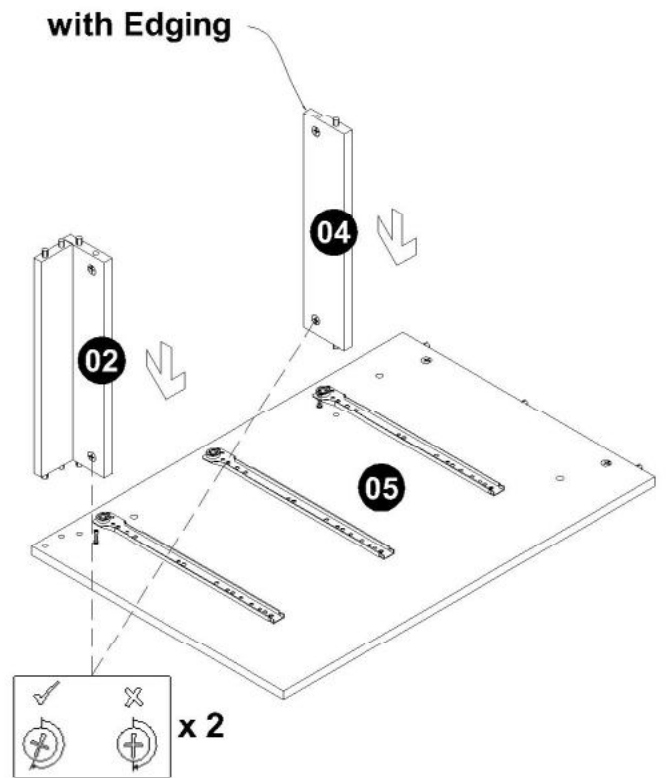
WRONG



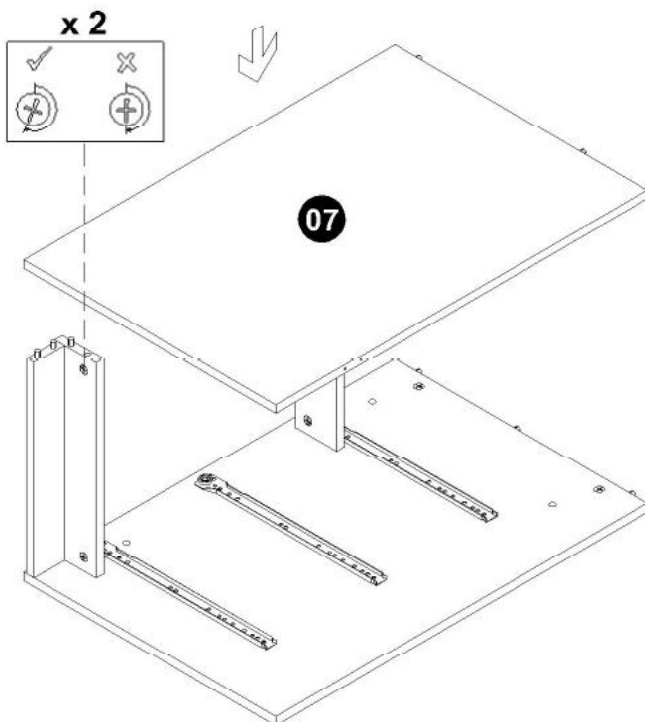
22



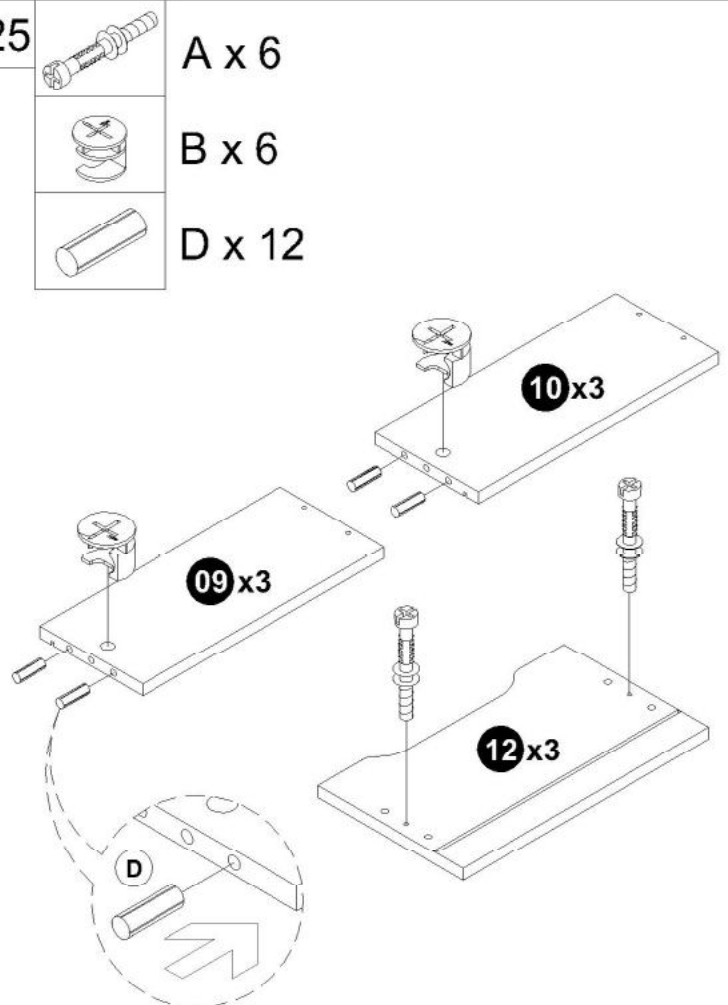
23



24



25

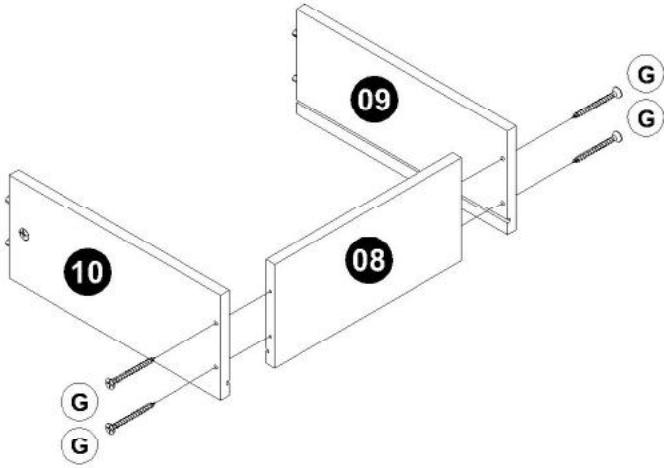




26

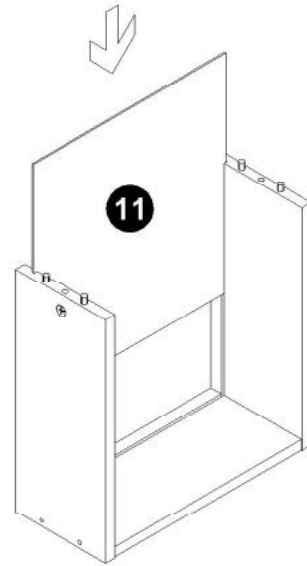


G x 12



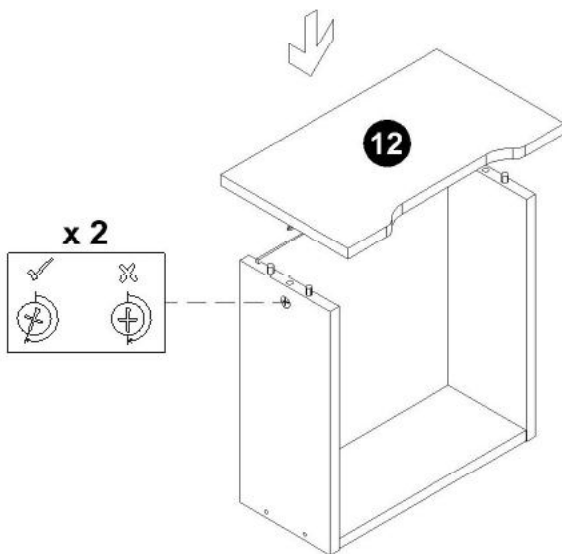
Do This Step 3 Times

27



Do This Step 3 Times

28



Do This Step 3 Times

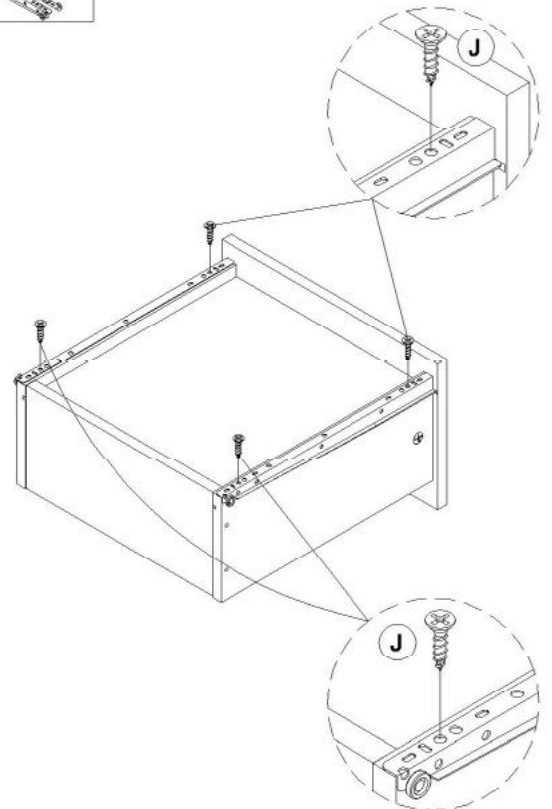
29



J x 12



K x 3 sets

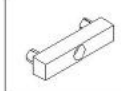


Do This Step 3 Times

30



A x 4



R x 2



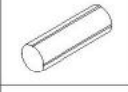
B x 6



T x 6



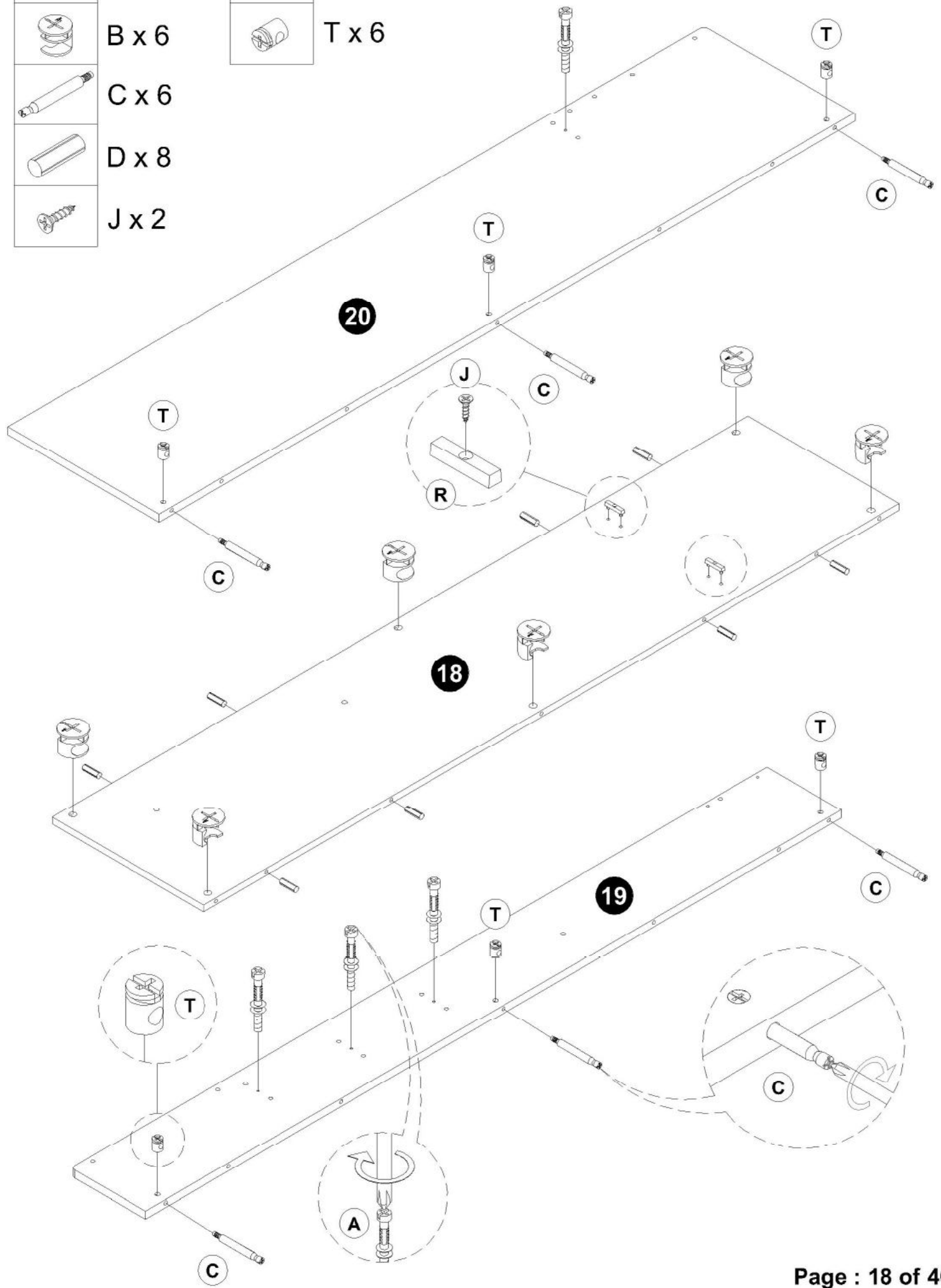
C x 6



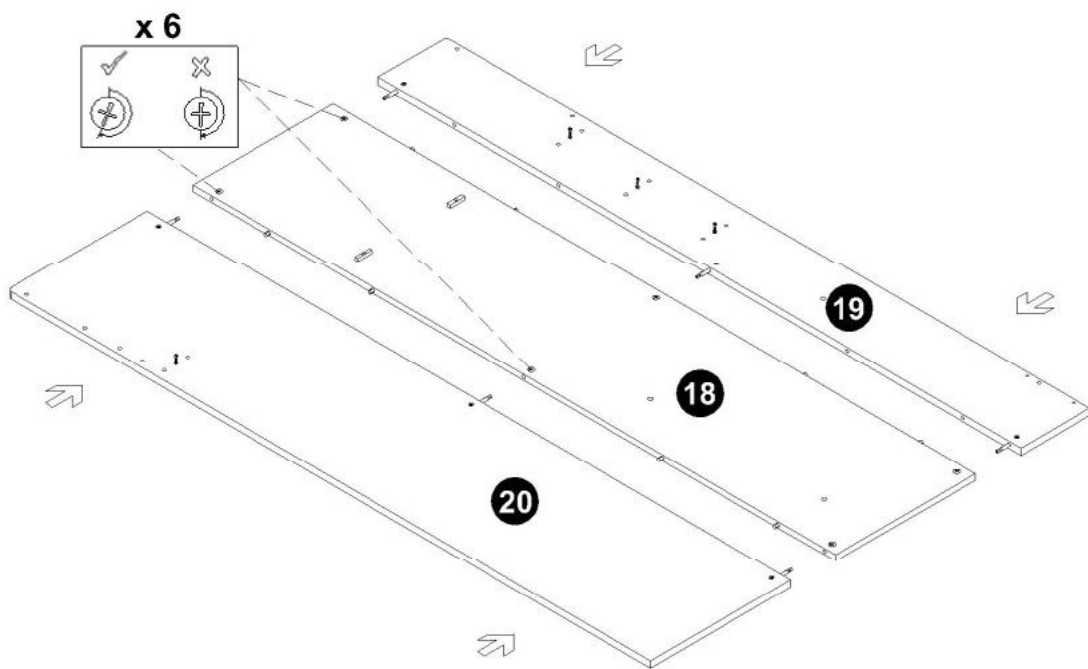
D x 8





J x 2

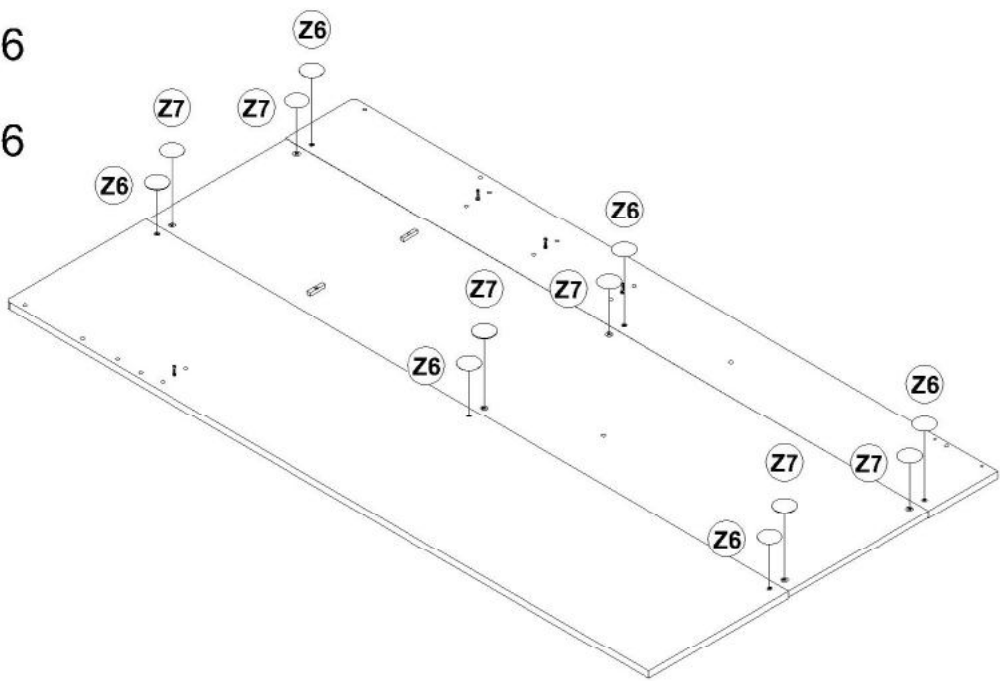


31






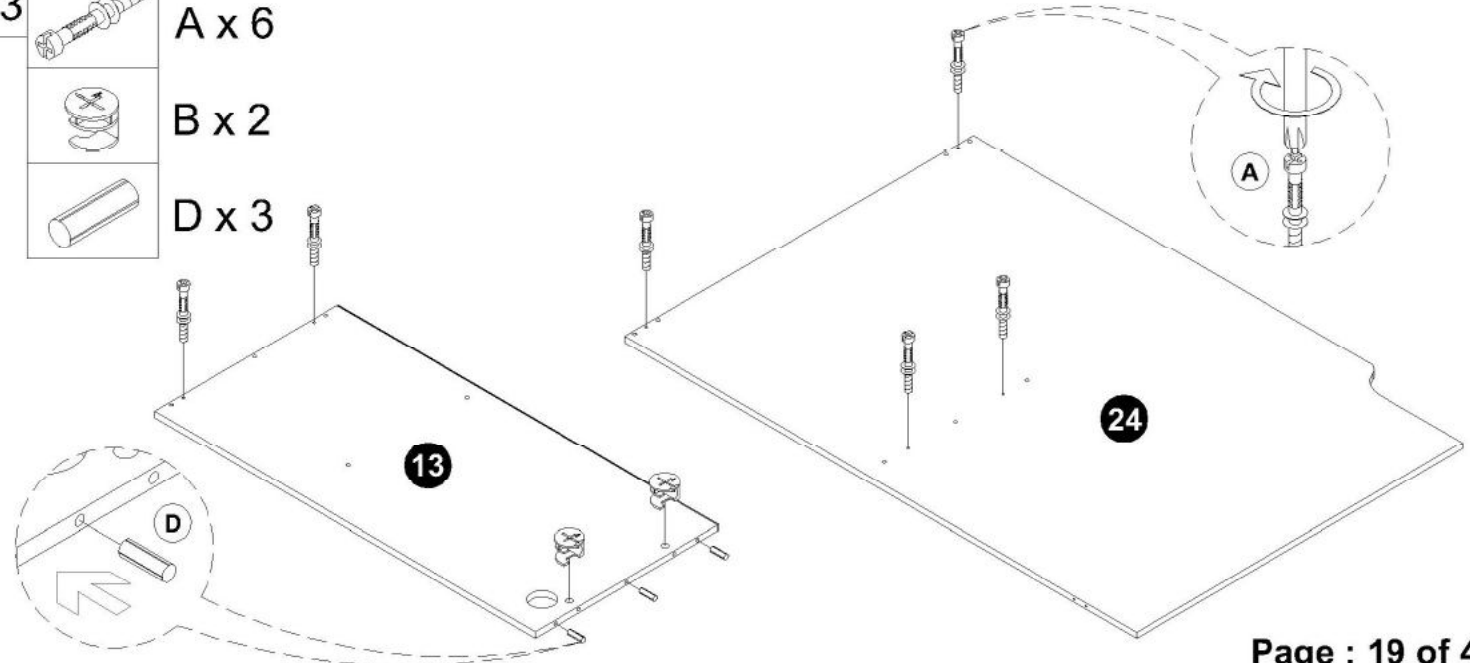
32

-  Z6 x 6
-  Z7 x 6



33

-  A x 6
-  B x 2
-  D x 3



34



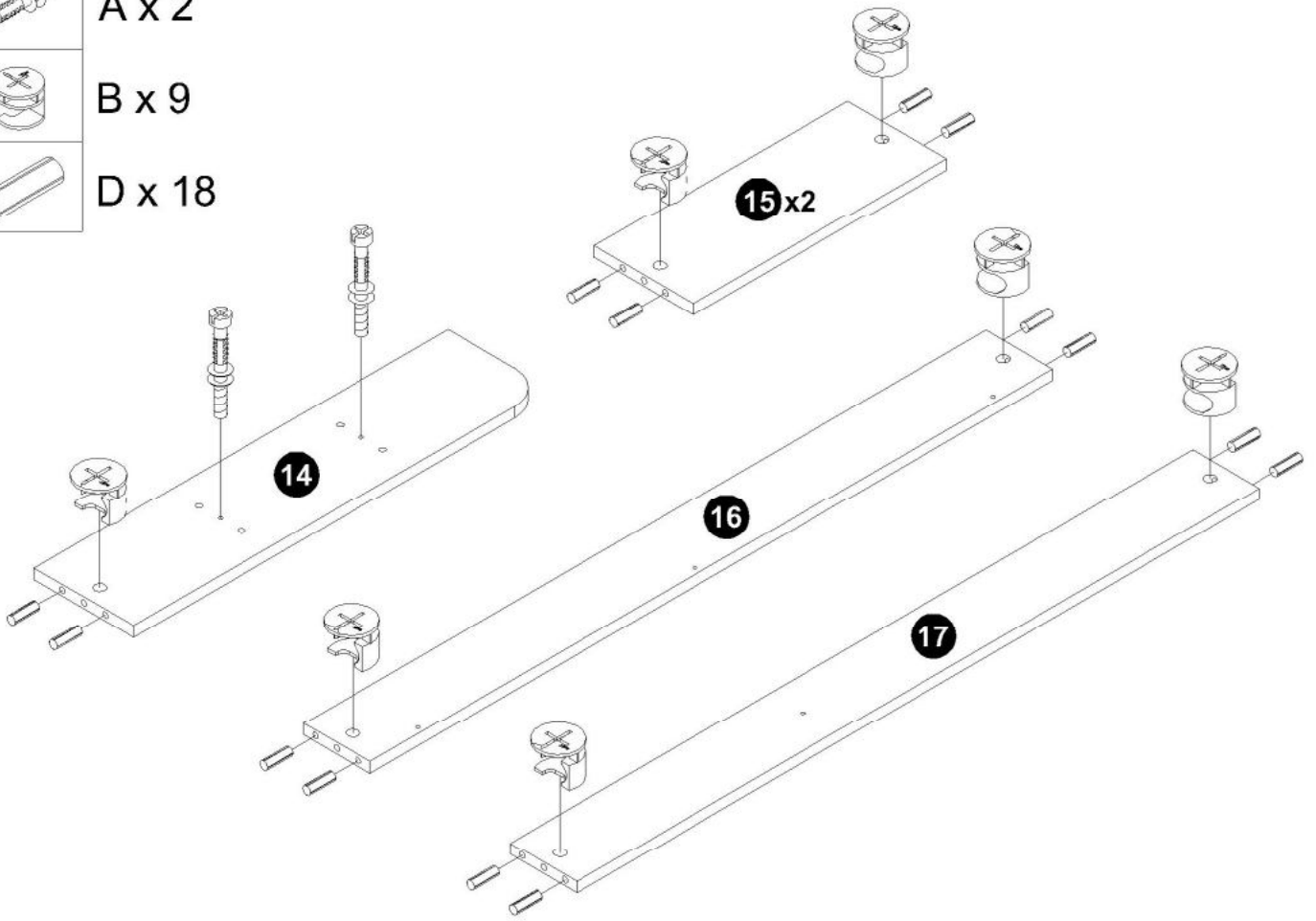
A x 2



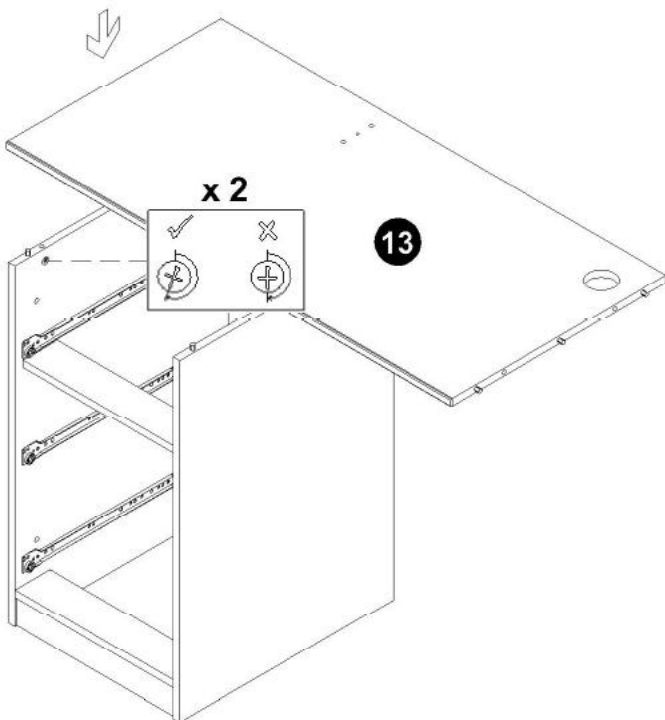
B x 9



D x 18



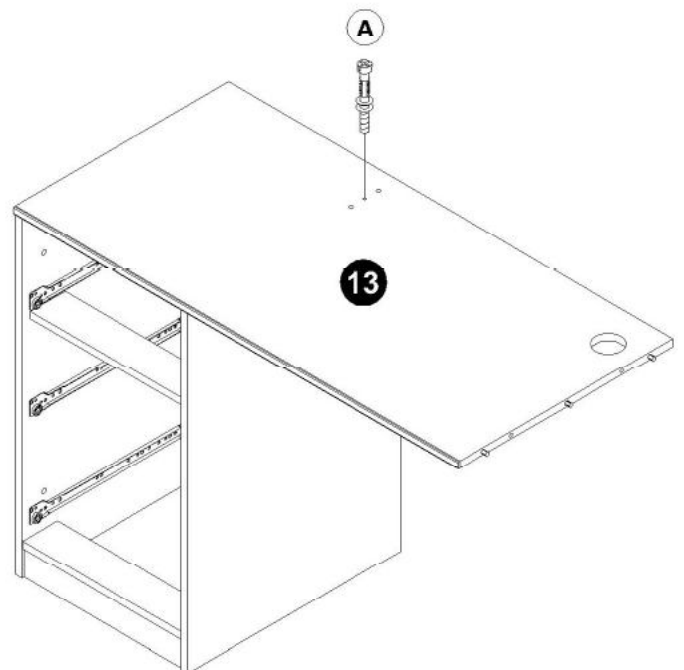
35



36

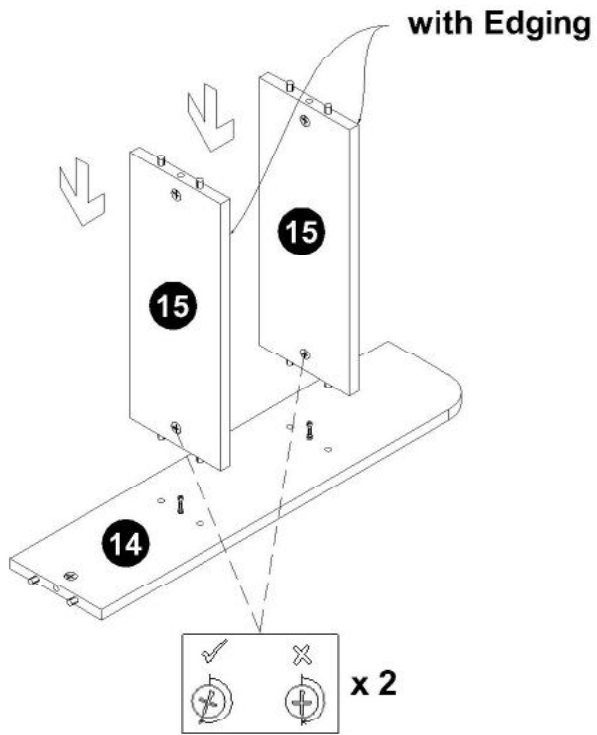


A x 1



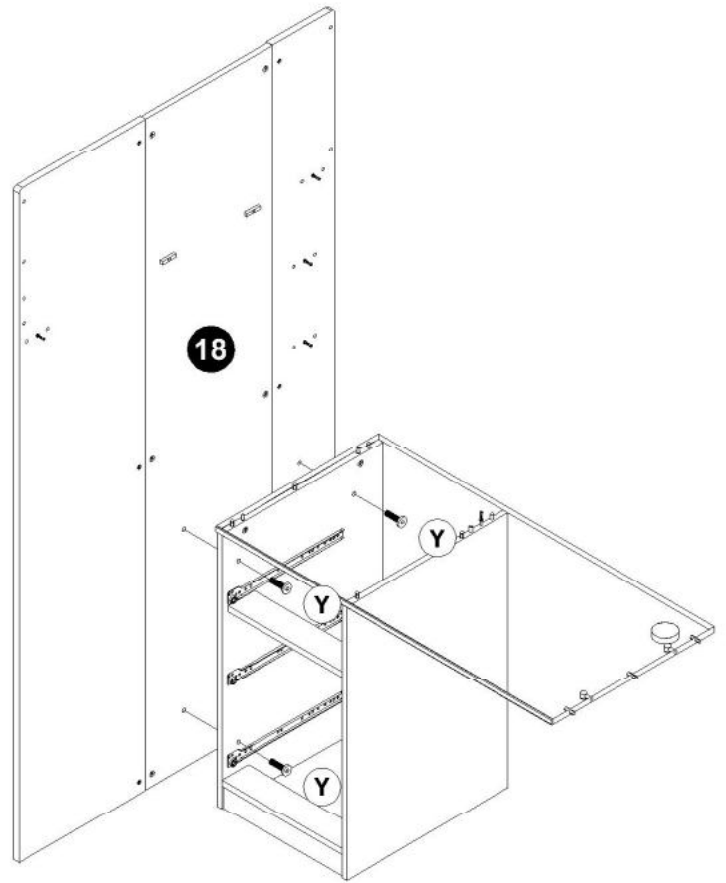


37

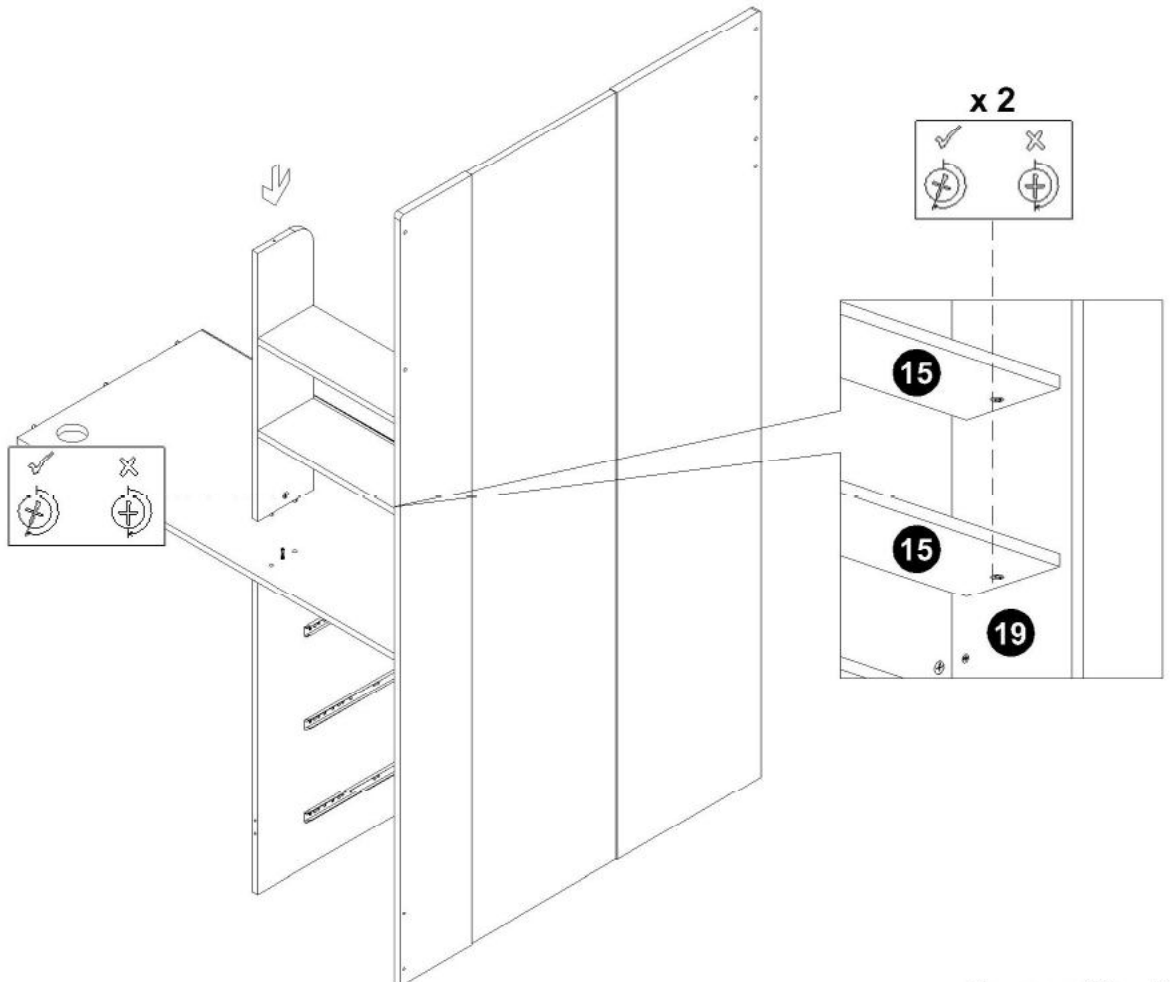


38

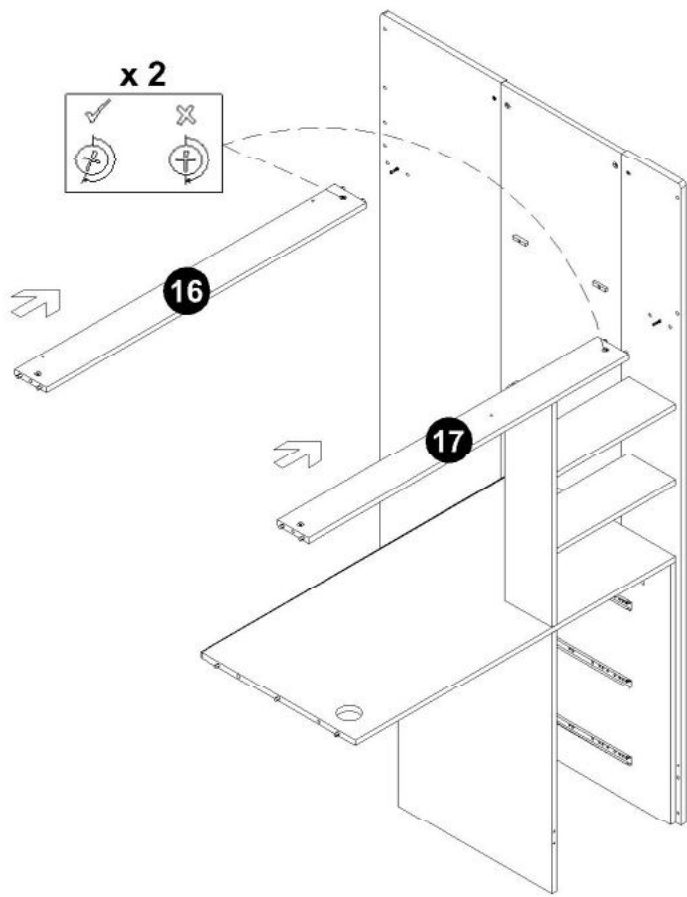
Y x 3



39



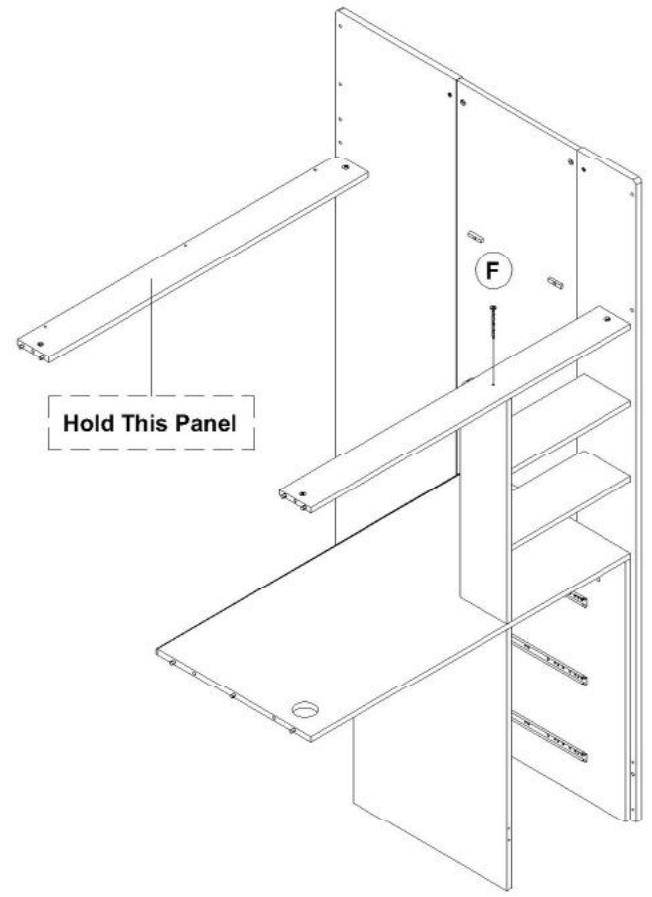
40



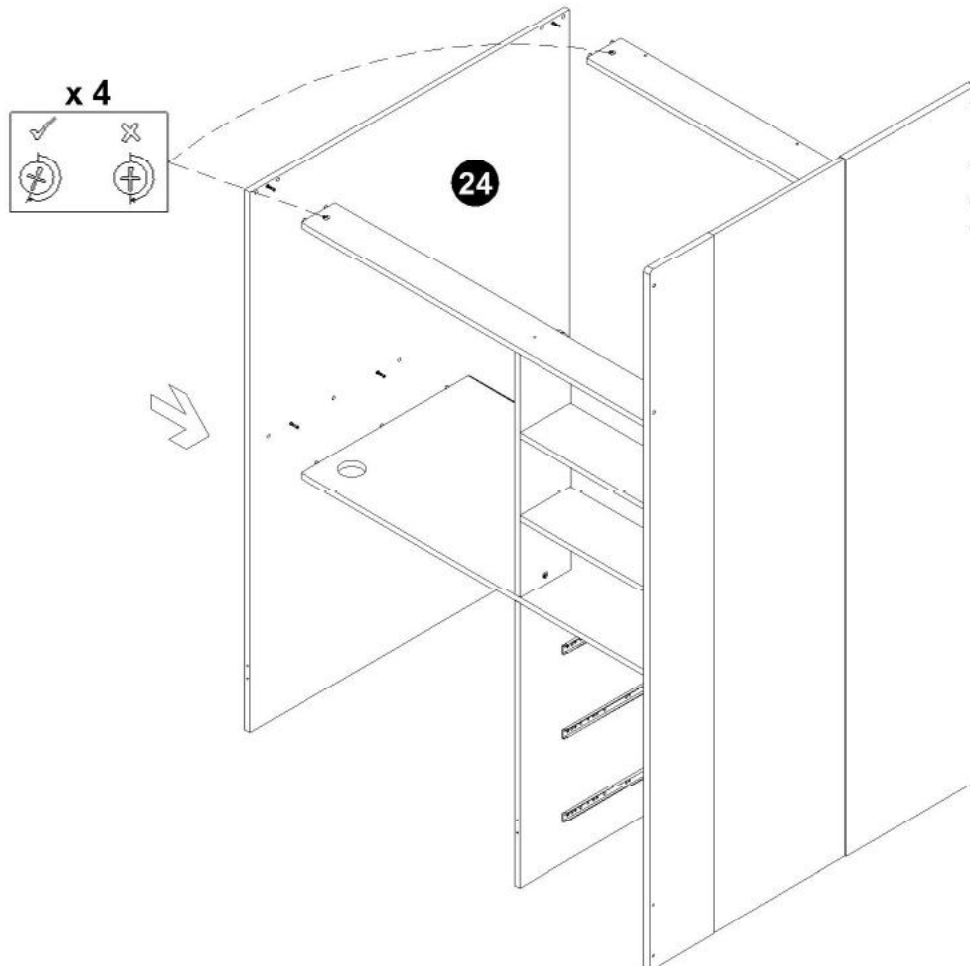
41



F x 1



42



43



A x 11



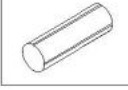
C x 6



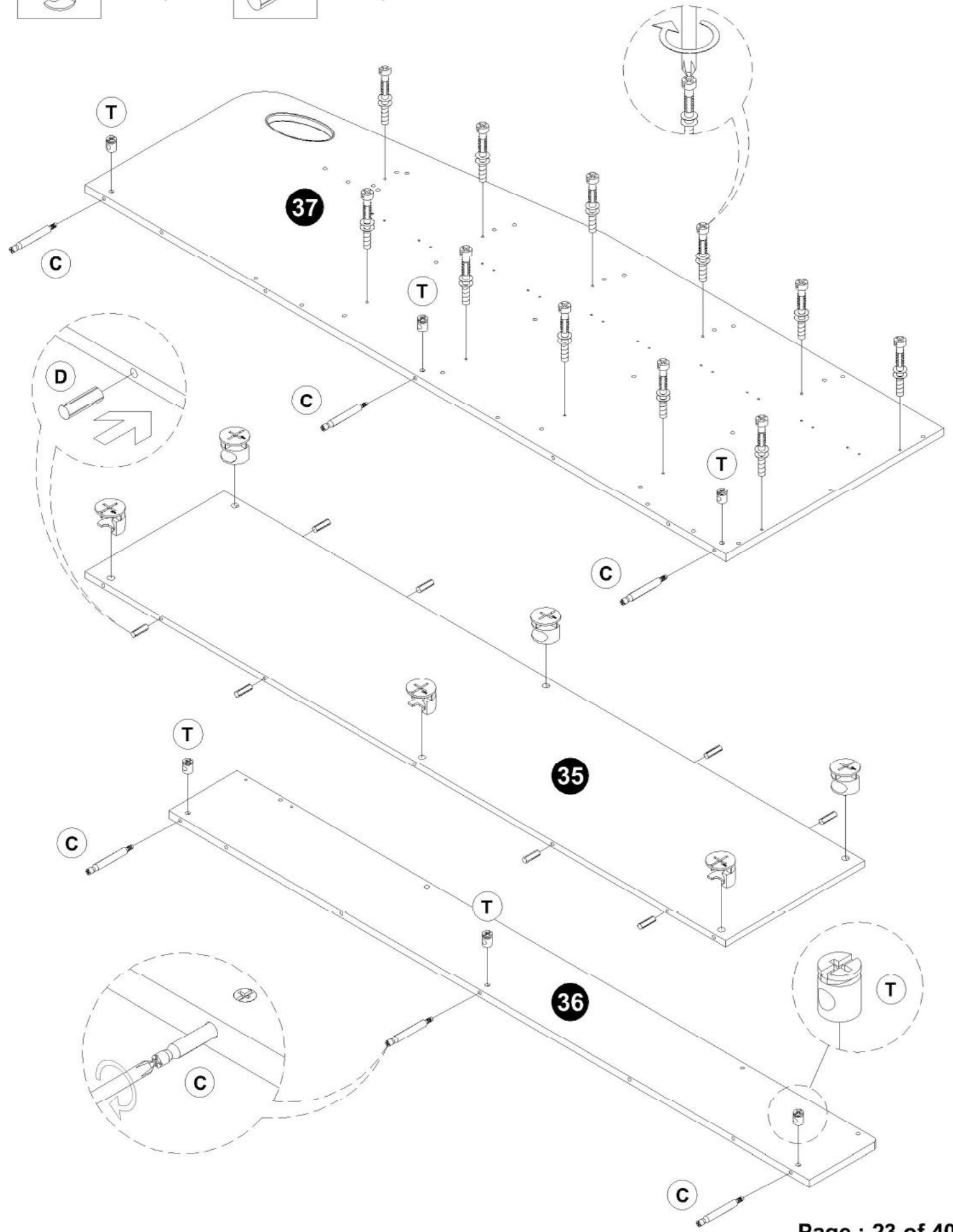
T x 6

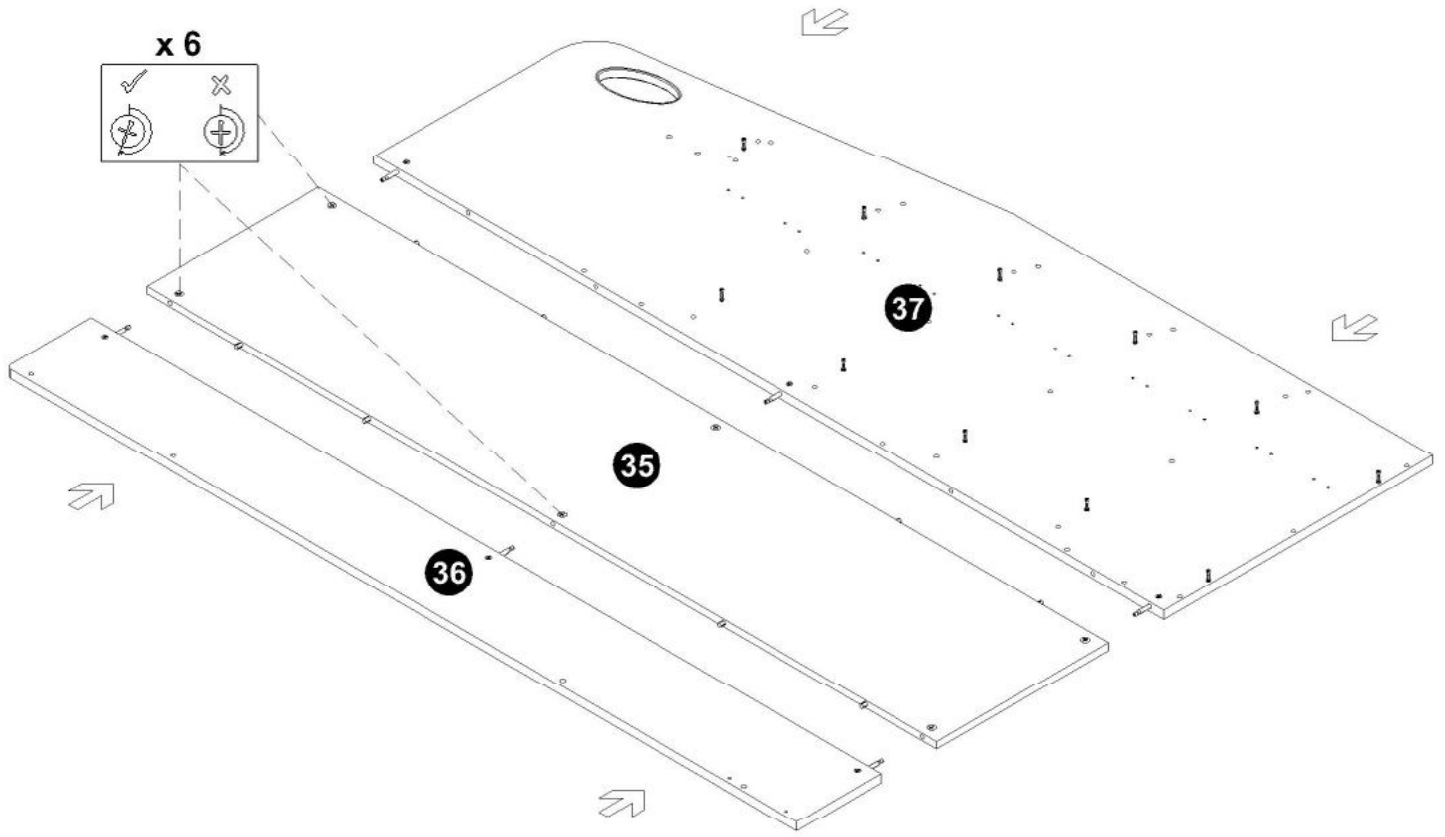


B x 6

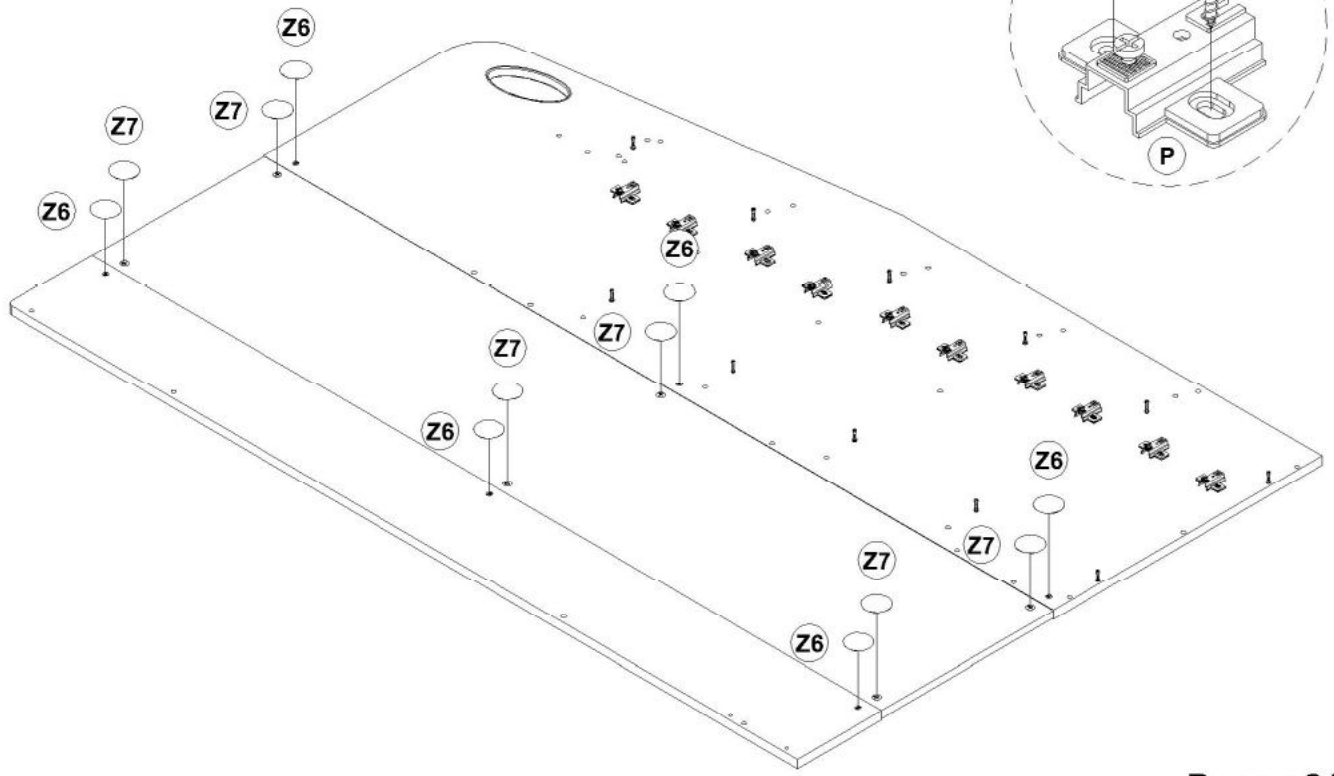
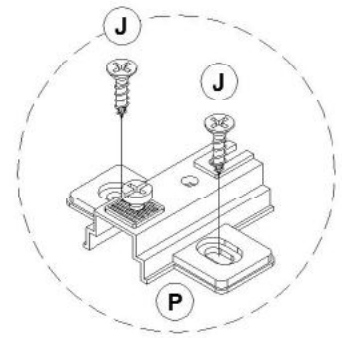


D x 8





	J x 20		Z6 x 6
	P x 10		Z7 x 6



46



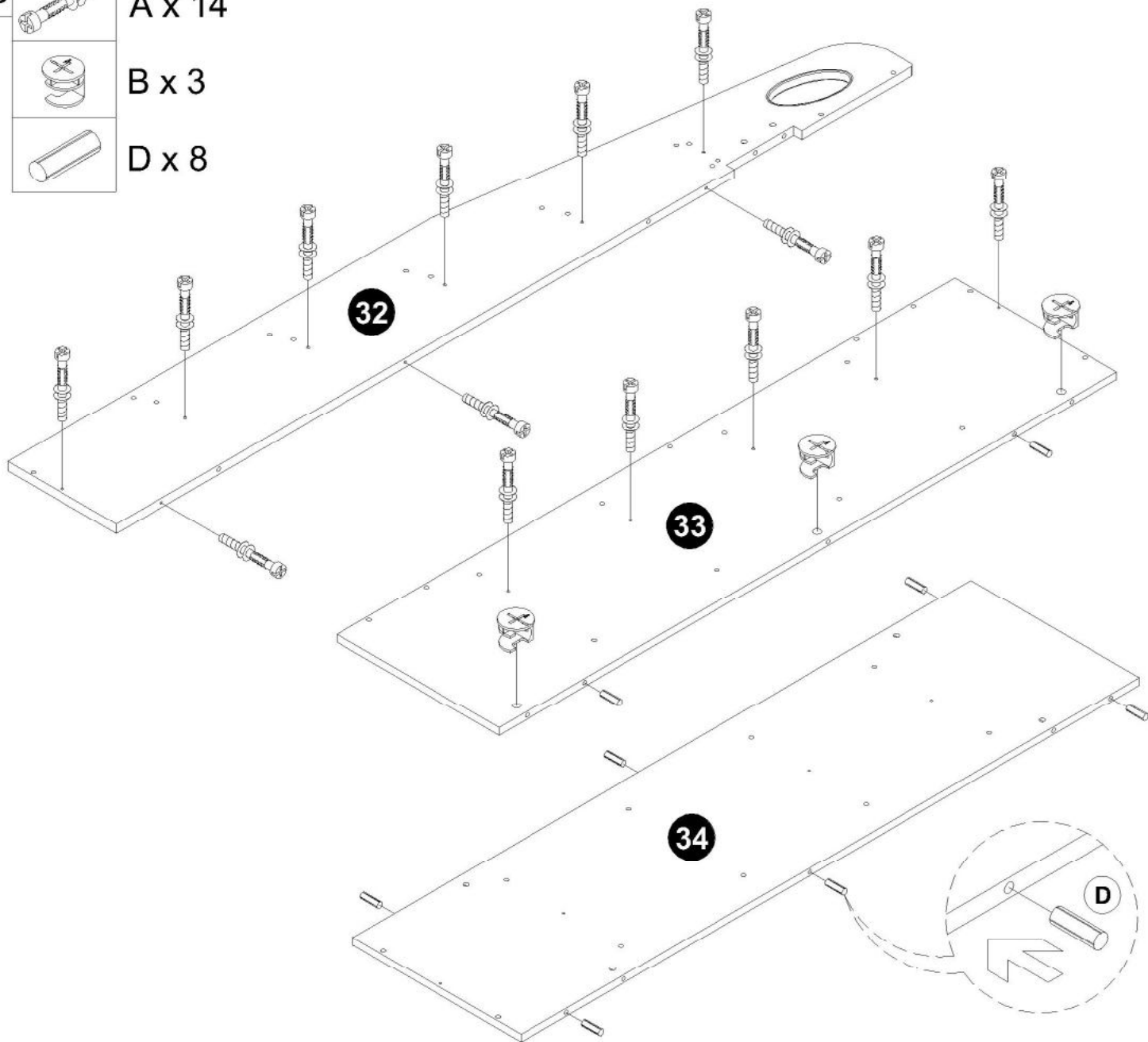
A x 14



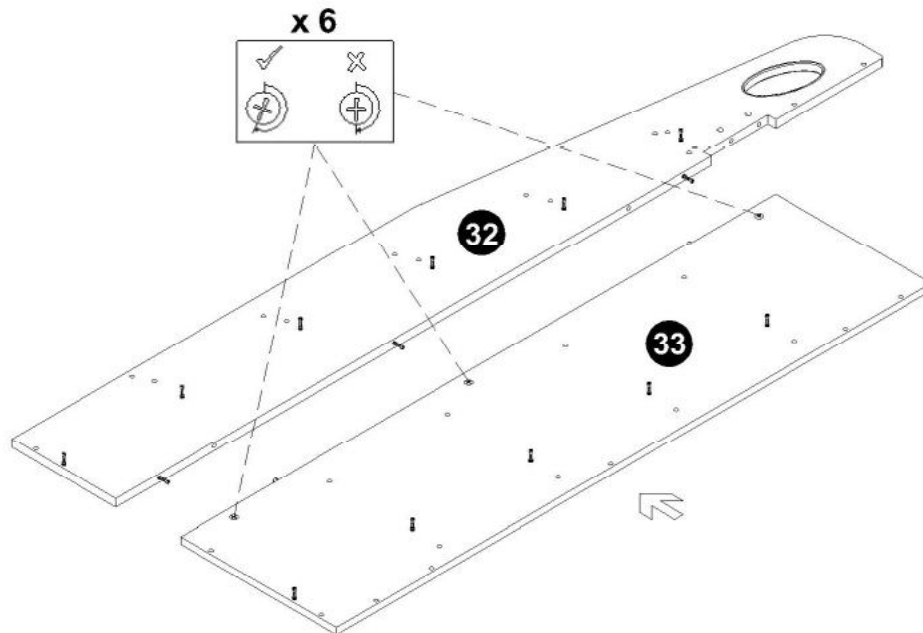
B x 3



D x 8



47



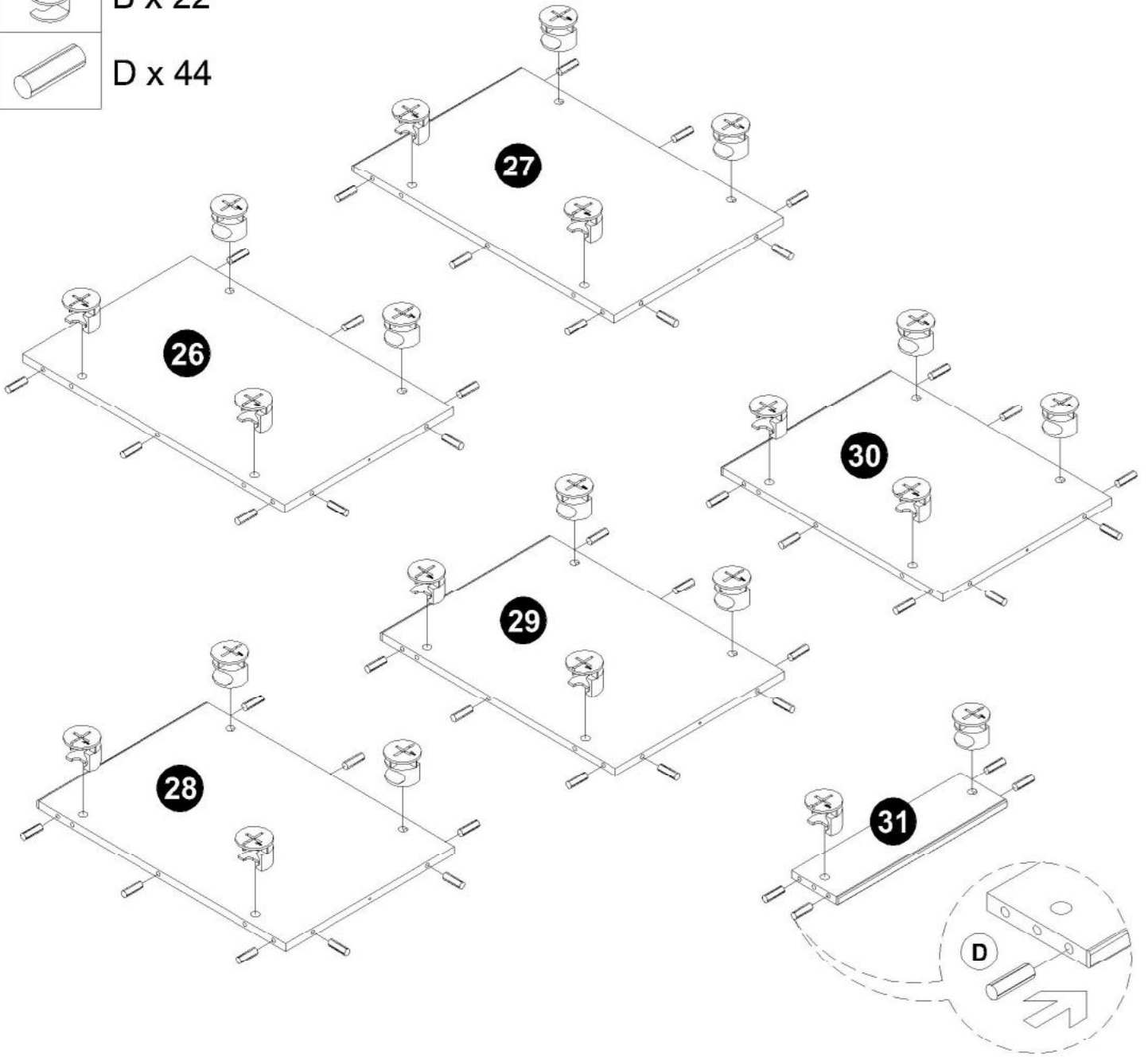
48



B x 22



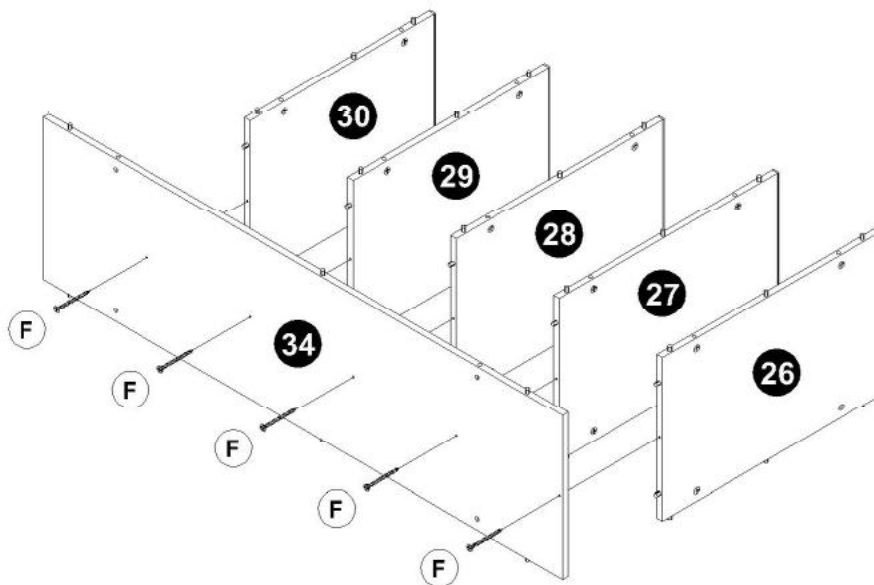
D x 44



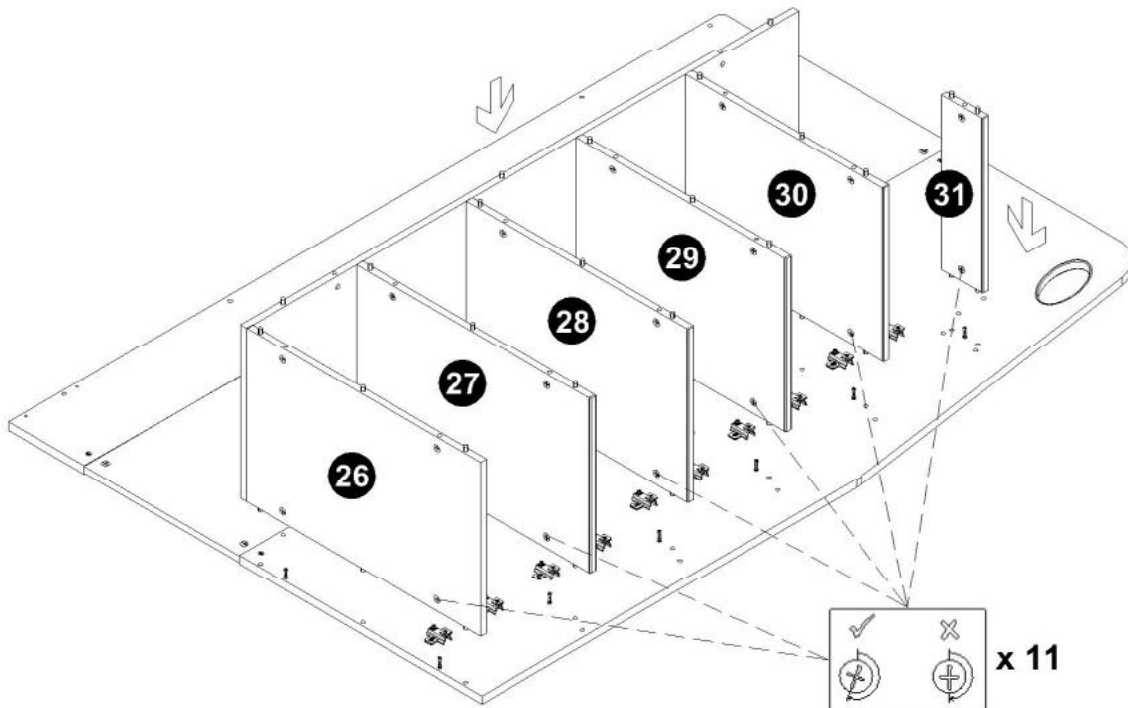
49



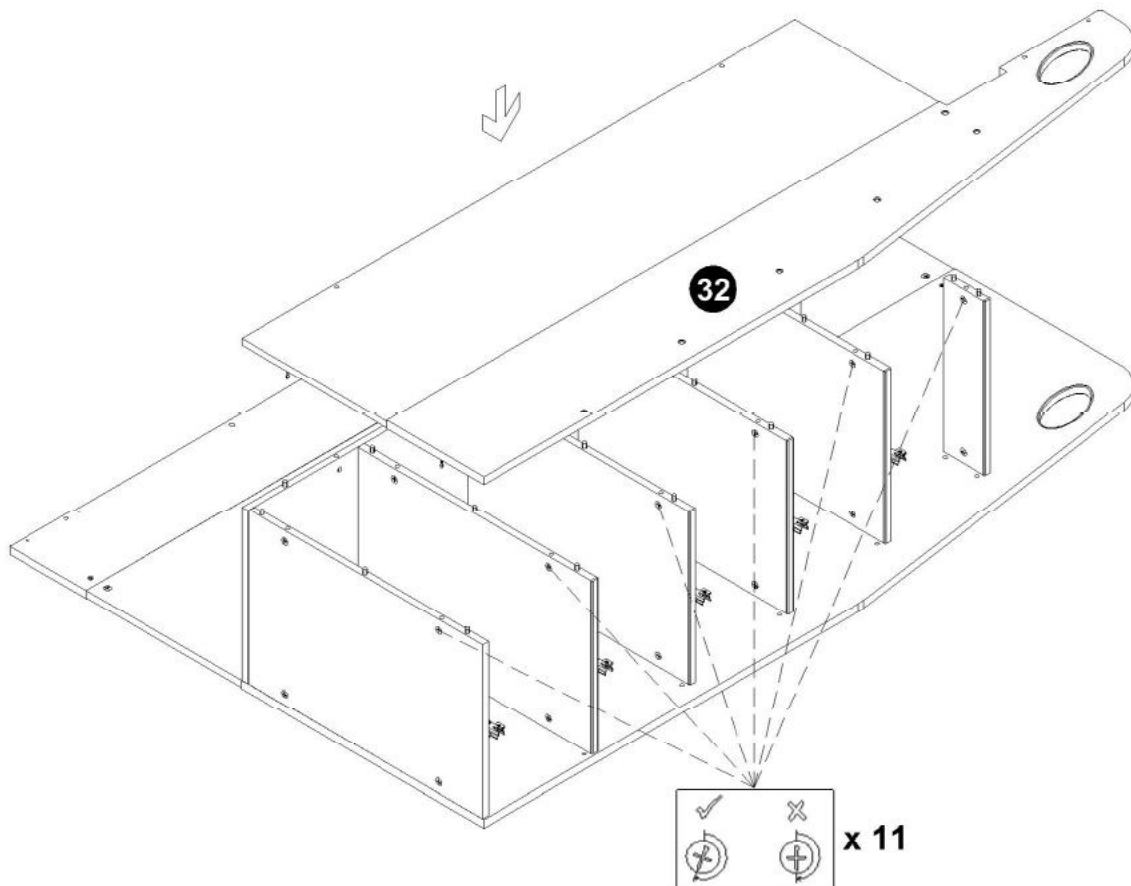
F x 5



50



51





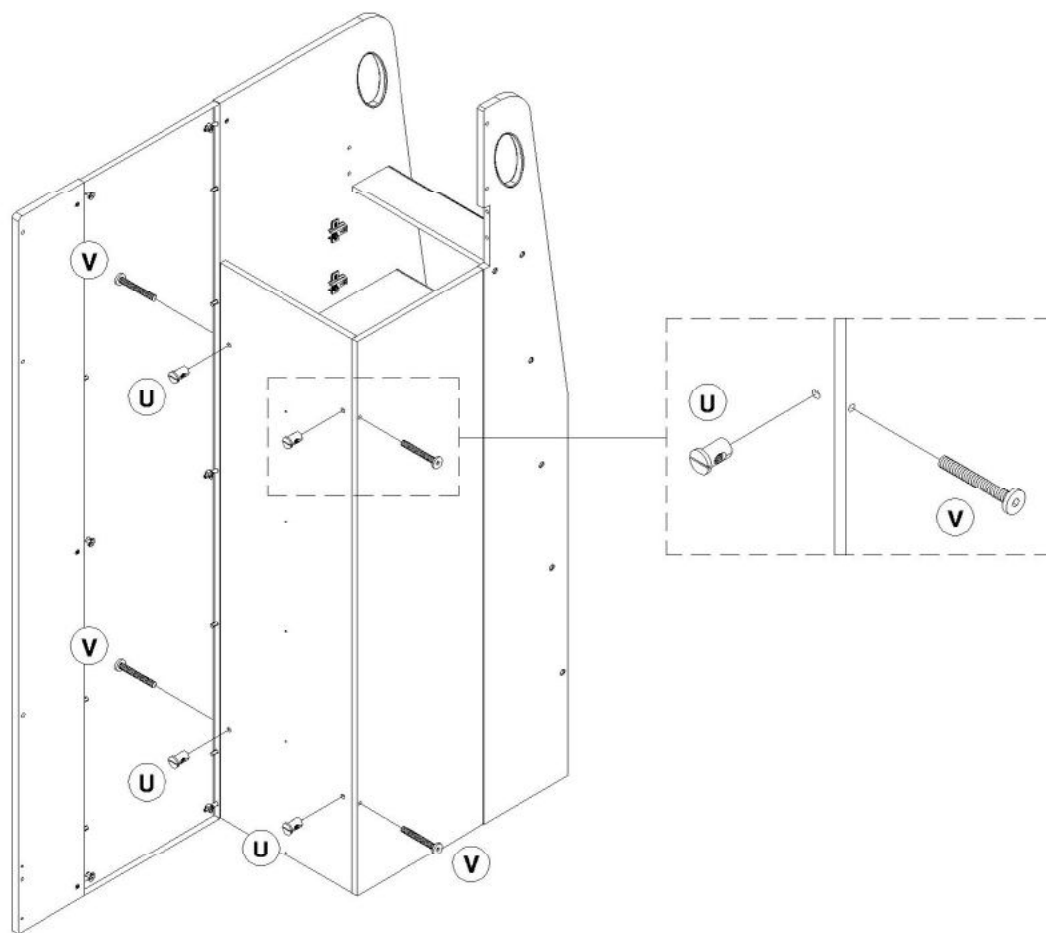
52



U x 4



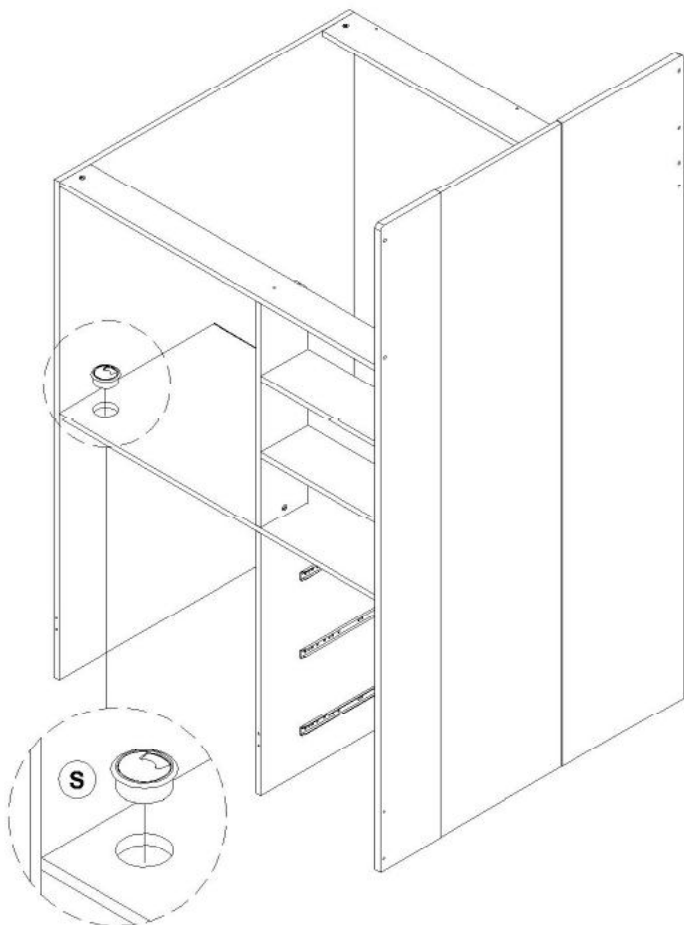
V x 4



53



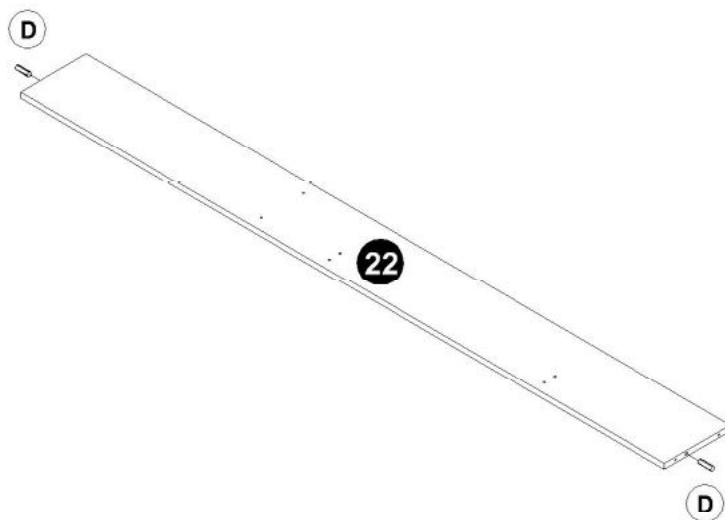
S x 1



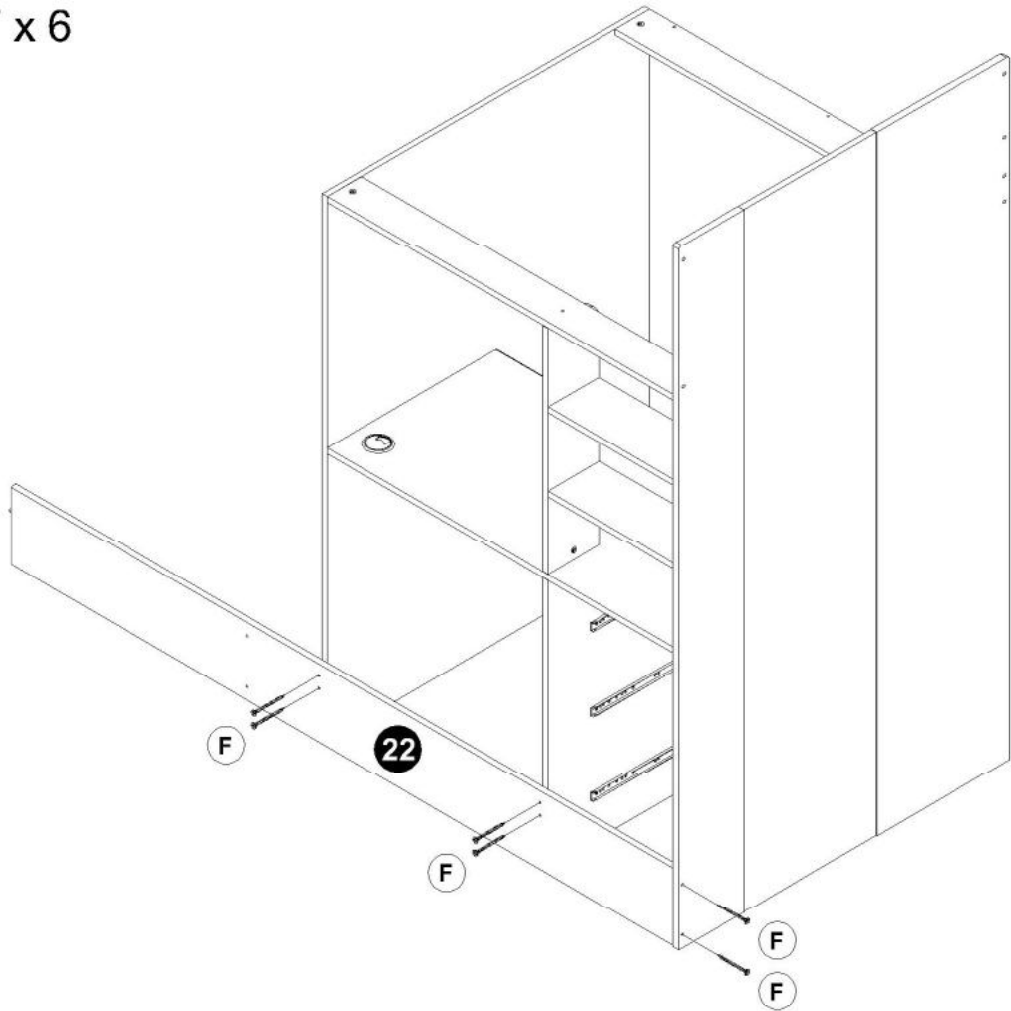
54



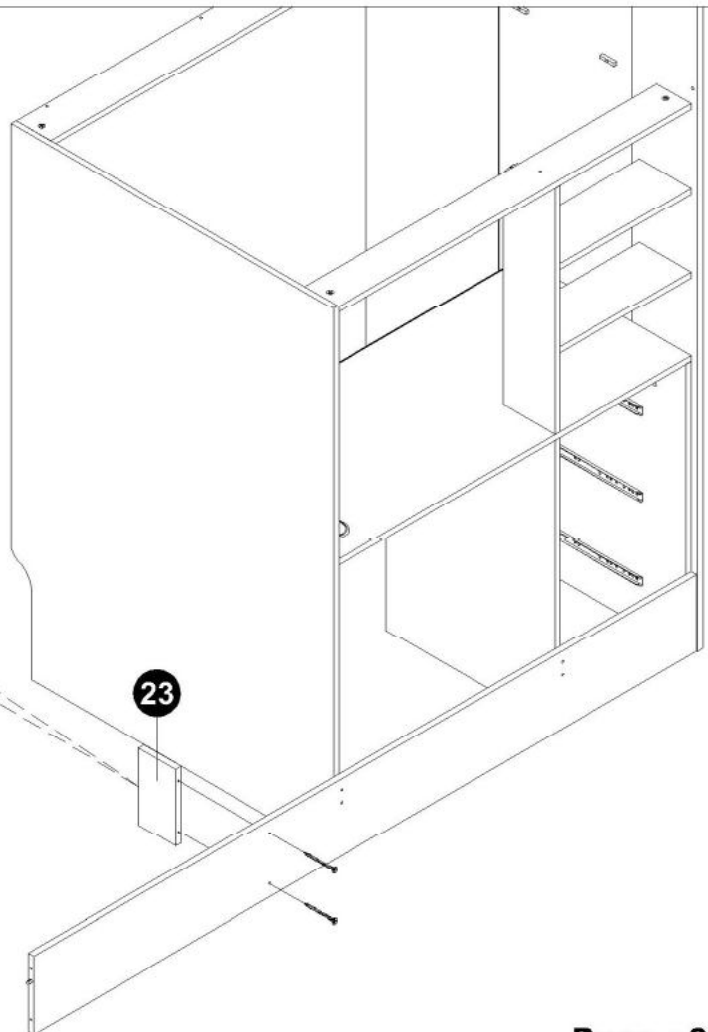
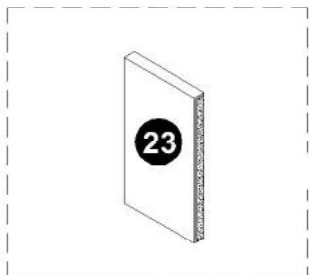
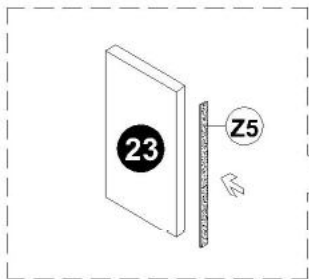
D x 2



55 F x 6



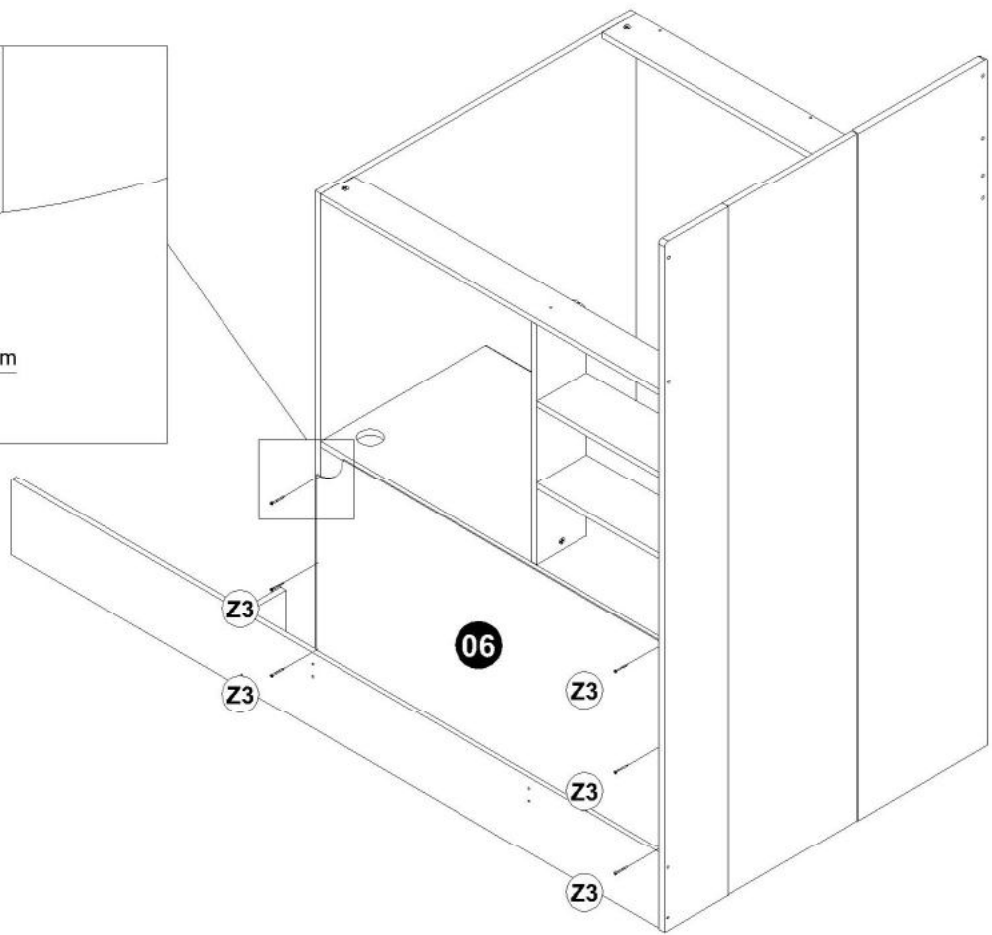
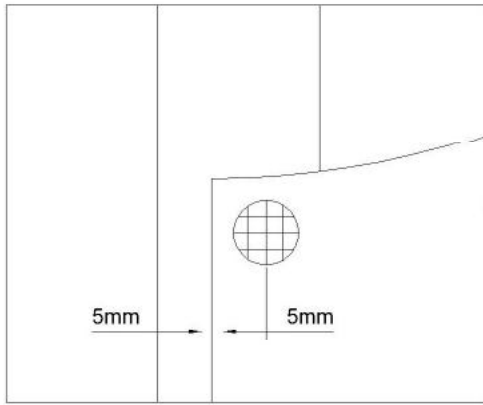
56 F x 2  
Z5 x 1



57



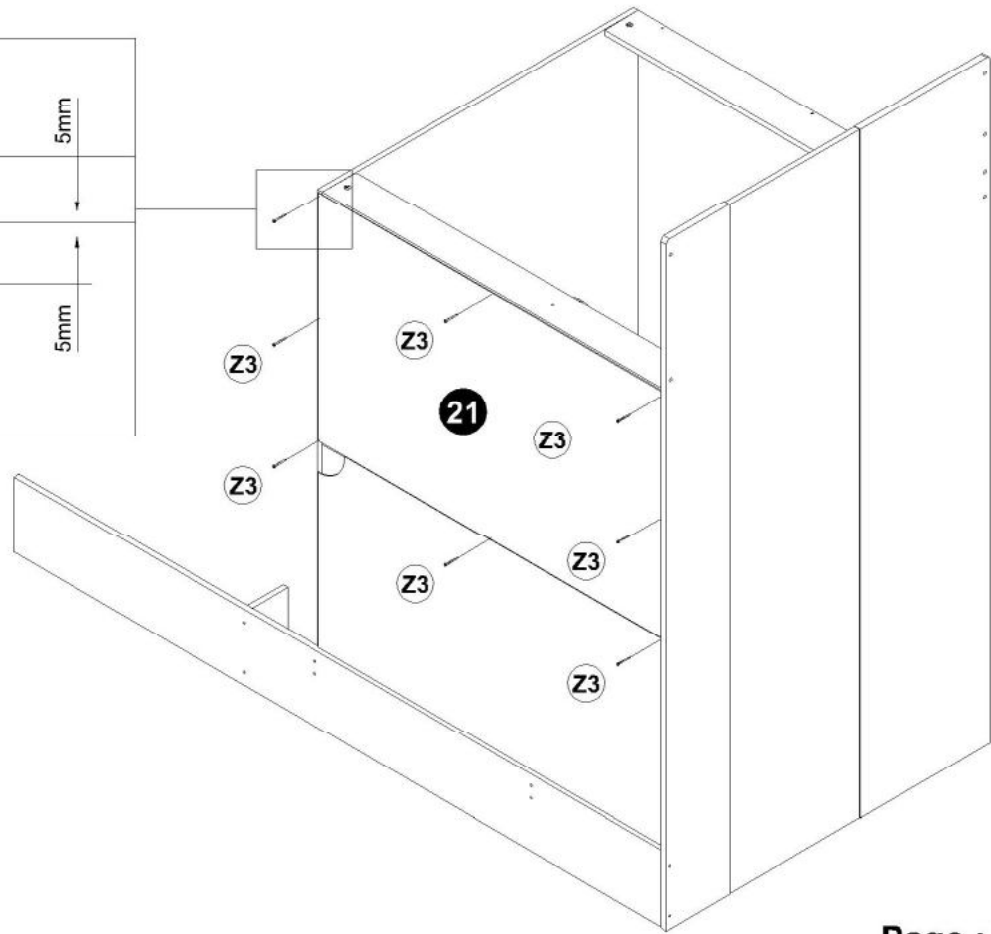
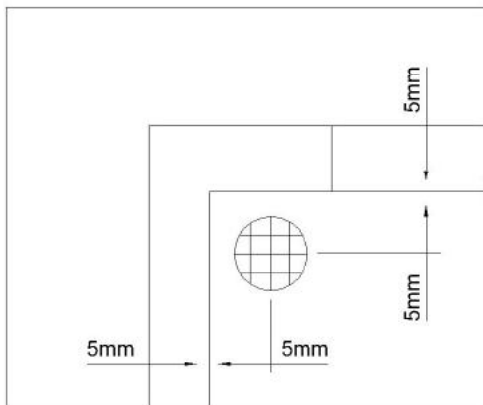
Z3 x 6



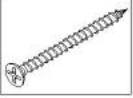
58



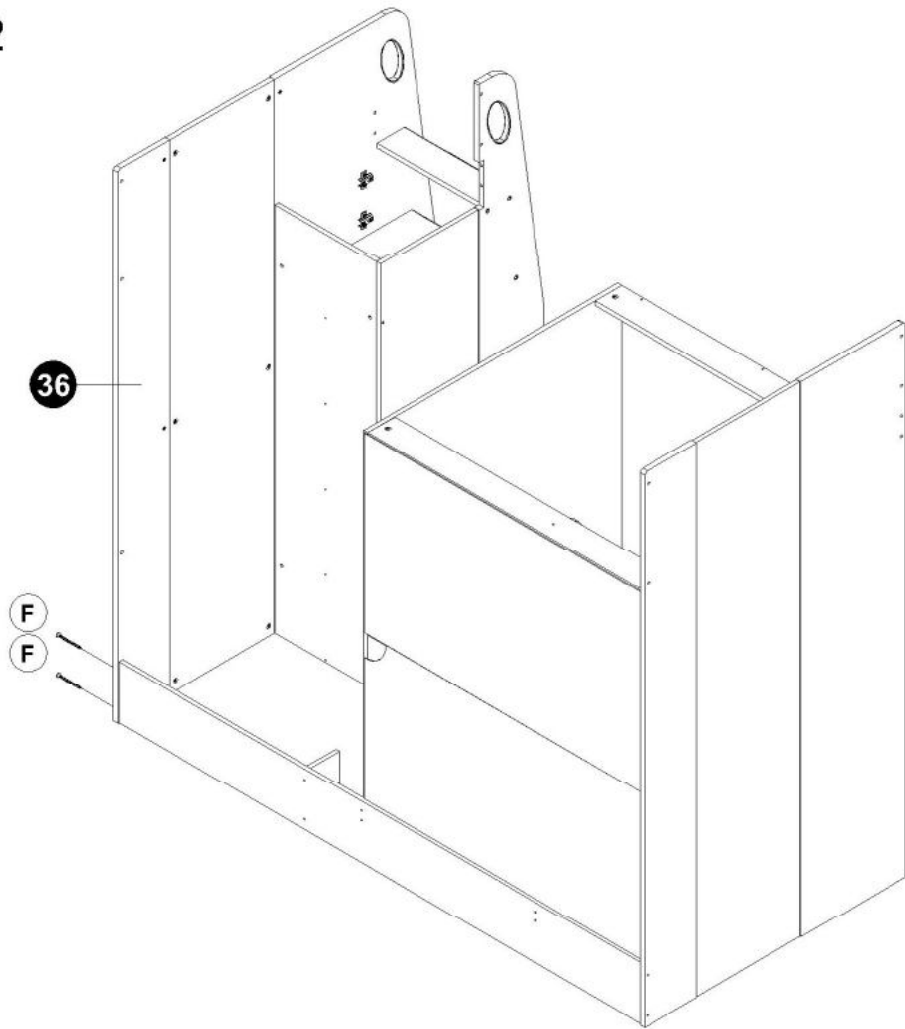
Z3 x 8



59



F x 2



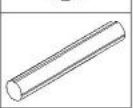
60



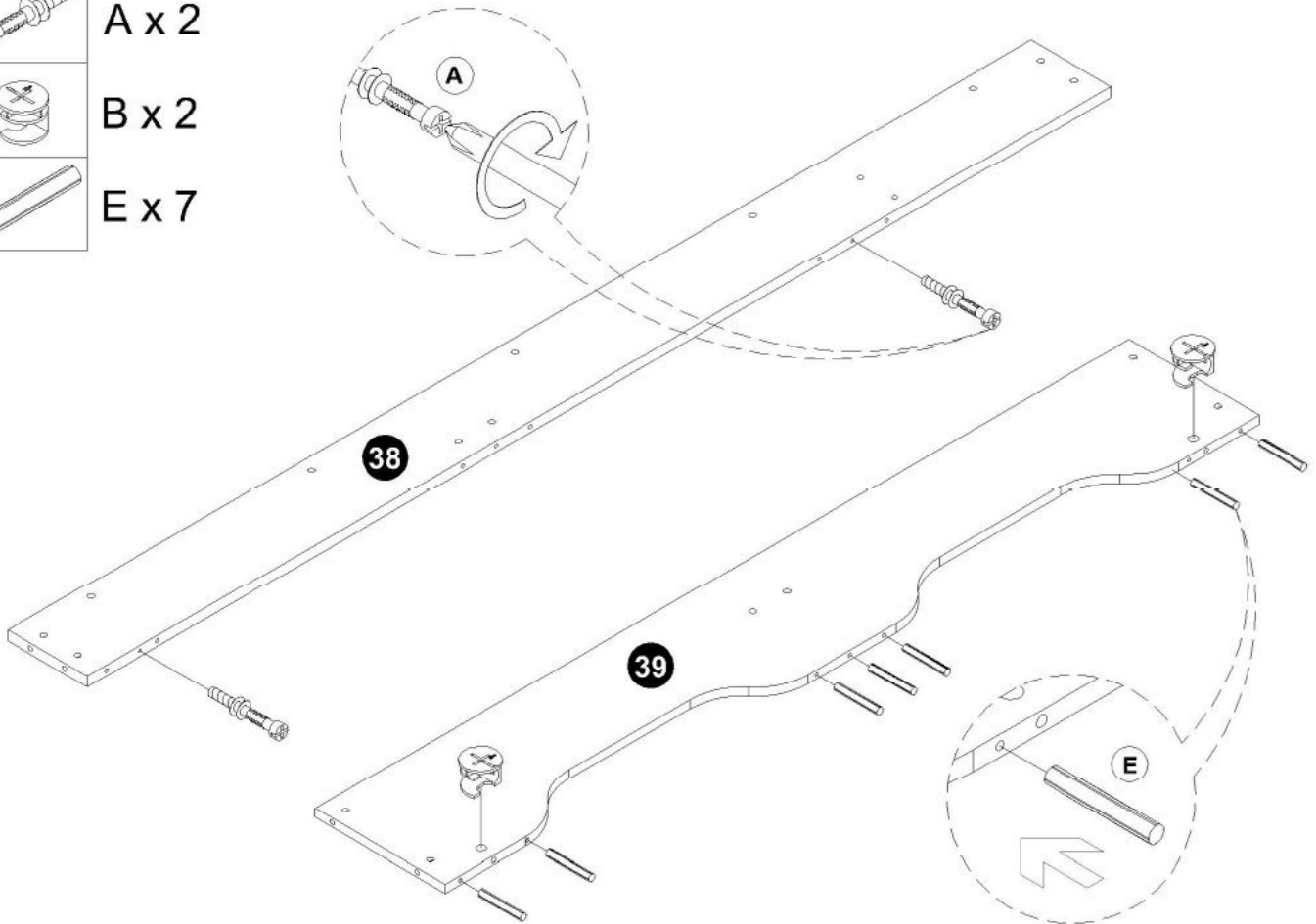
A x 2



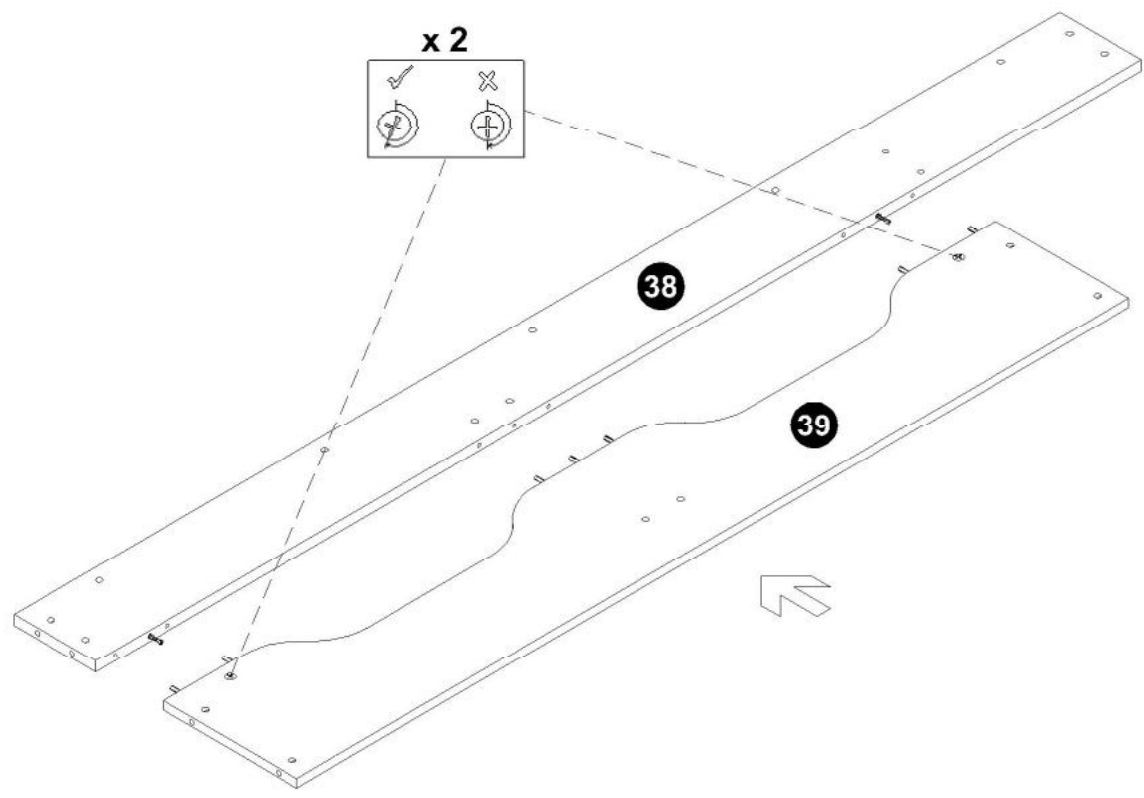
B x 2




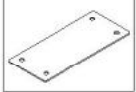
E x 7

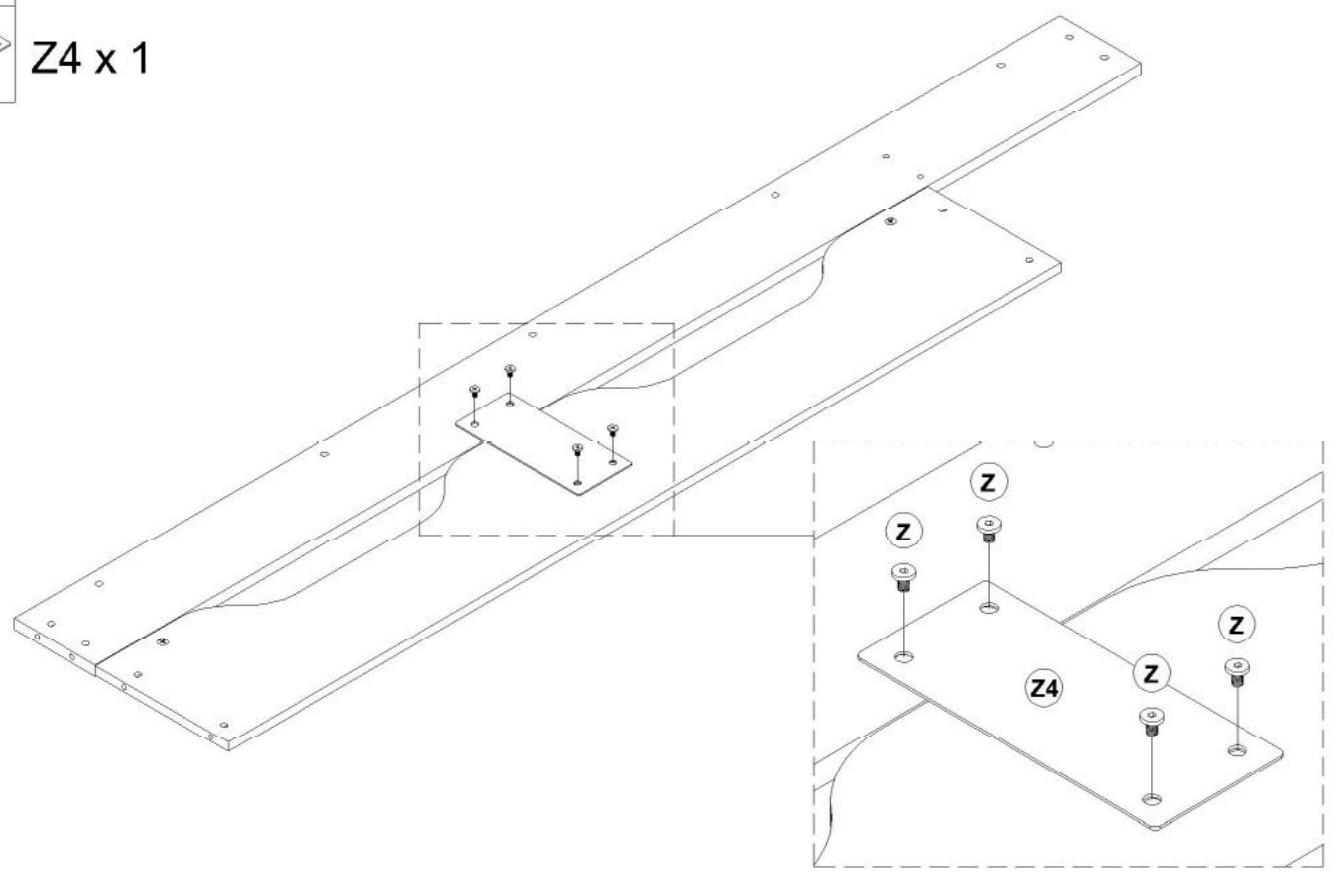


61








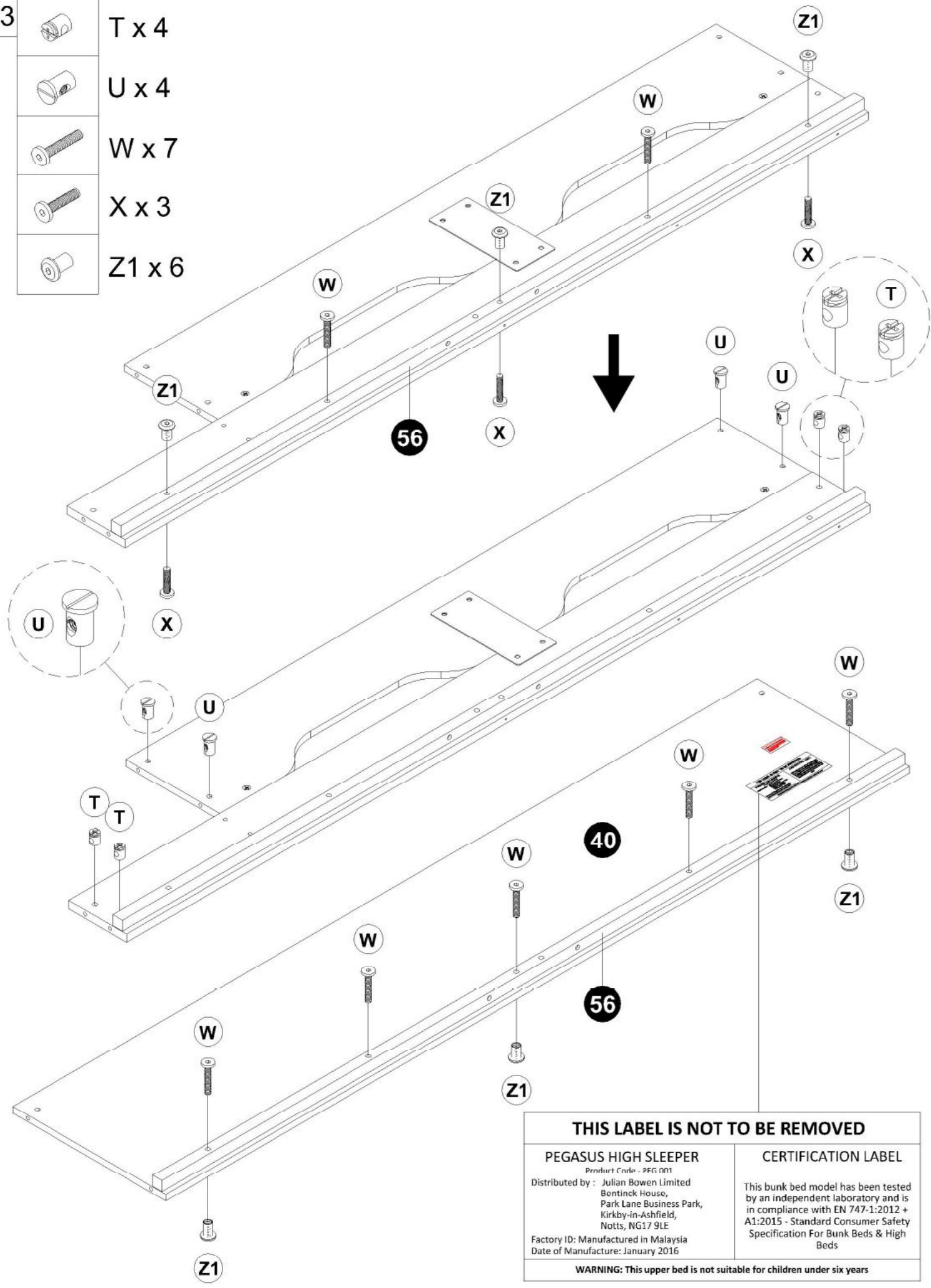
62

-  Z x 4
-  Z4 x 1



63

-  T x 4
-  U x 4
-  W x 7
-  X x 3
-  Z1 x 6

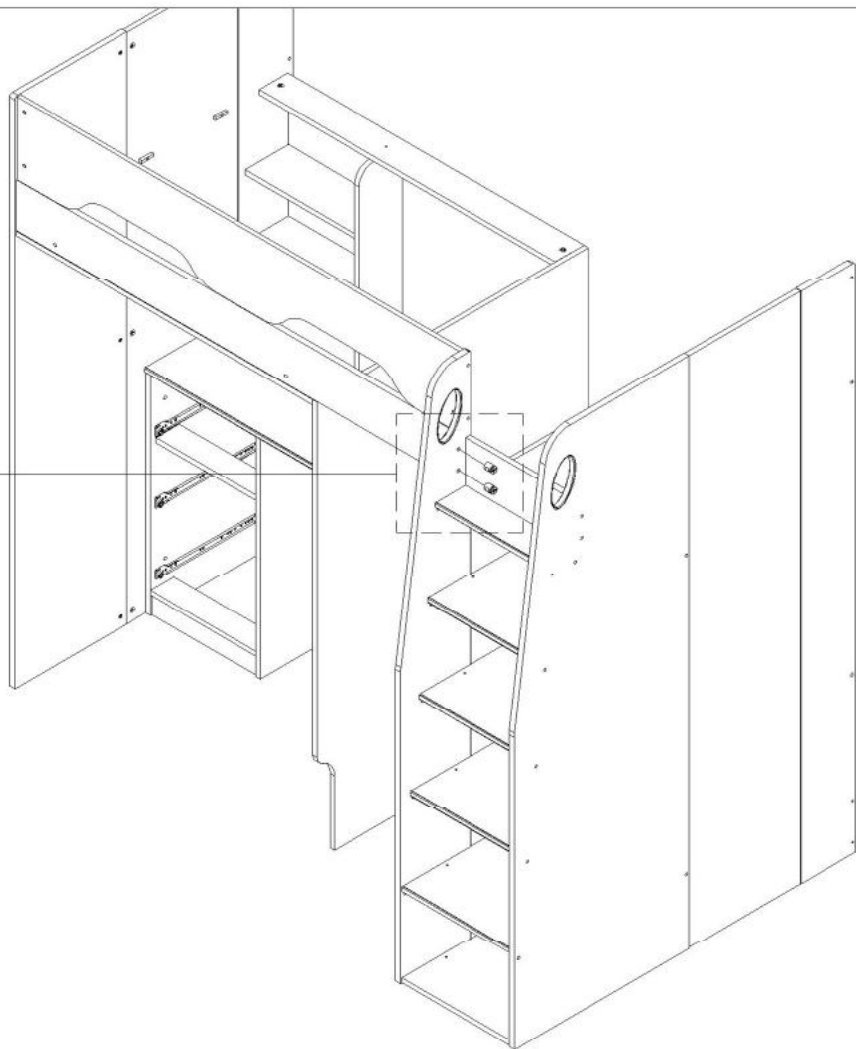
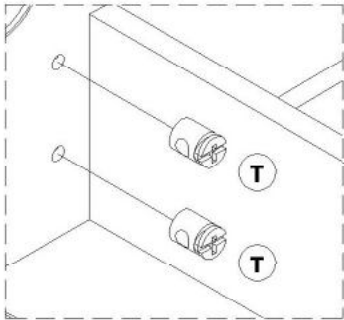


<b>THIS LABEL IS NOT TO BE REMOVED</b>	
<p style="text-align: center; margin: 0;"><b>PEGASUS HIGH SLEEPER</b></p> <p style="text-align: center; margin: 0;"><small>Product Code : PFG 001</small></p> <p style="margin: 0;"><small>Distributed by : Julian Bowen Limited Bentlinc House, Park Lane Business Park, Kirby-in-Ashfield, Notts, NG17 9LE</small></p> <p style="margin: 0;"><small>Factory ID: Manufactured in Malaysia Date of Manufacture: January 2016</small></p>	<p style="text-align: center; margin: 0;"><b>CERTIFICATION LABEL</b></p> <p style="margin: 0;"><small>This bunk bed model has been tested by an independent laboratory and is in compliance with EN 747-1:2012 + A1:2015 - Standard Consumer Safety Specification For Bunk Beds &amp; High Beds</small></p>
<b>WARNING: This upper bed is not suitable for children under six years</b>	

64



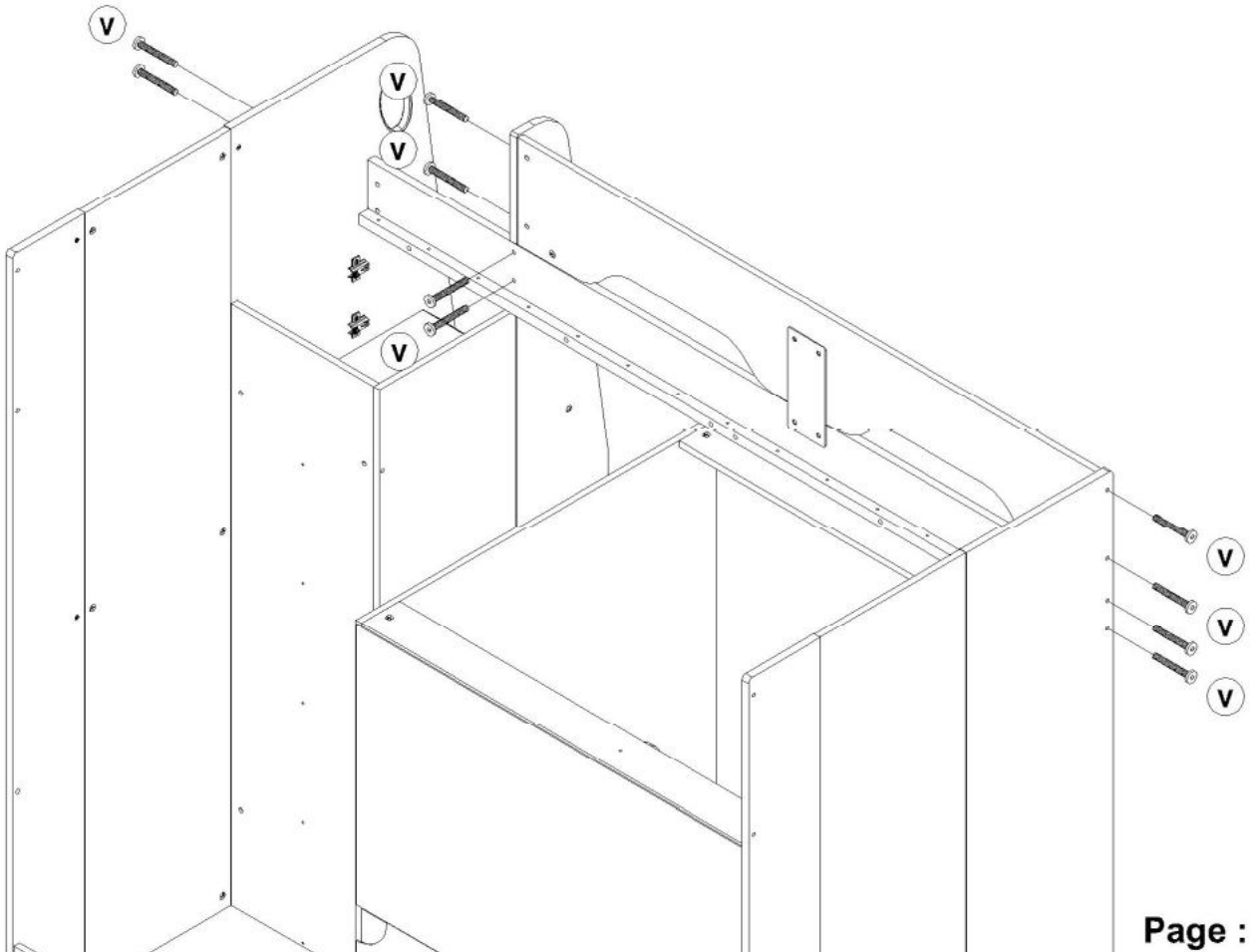
T x 2



65

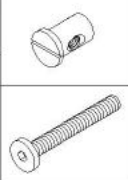


V x 10



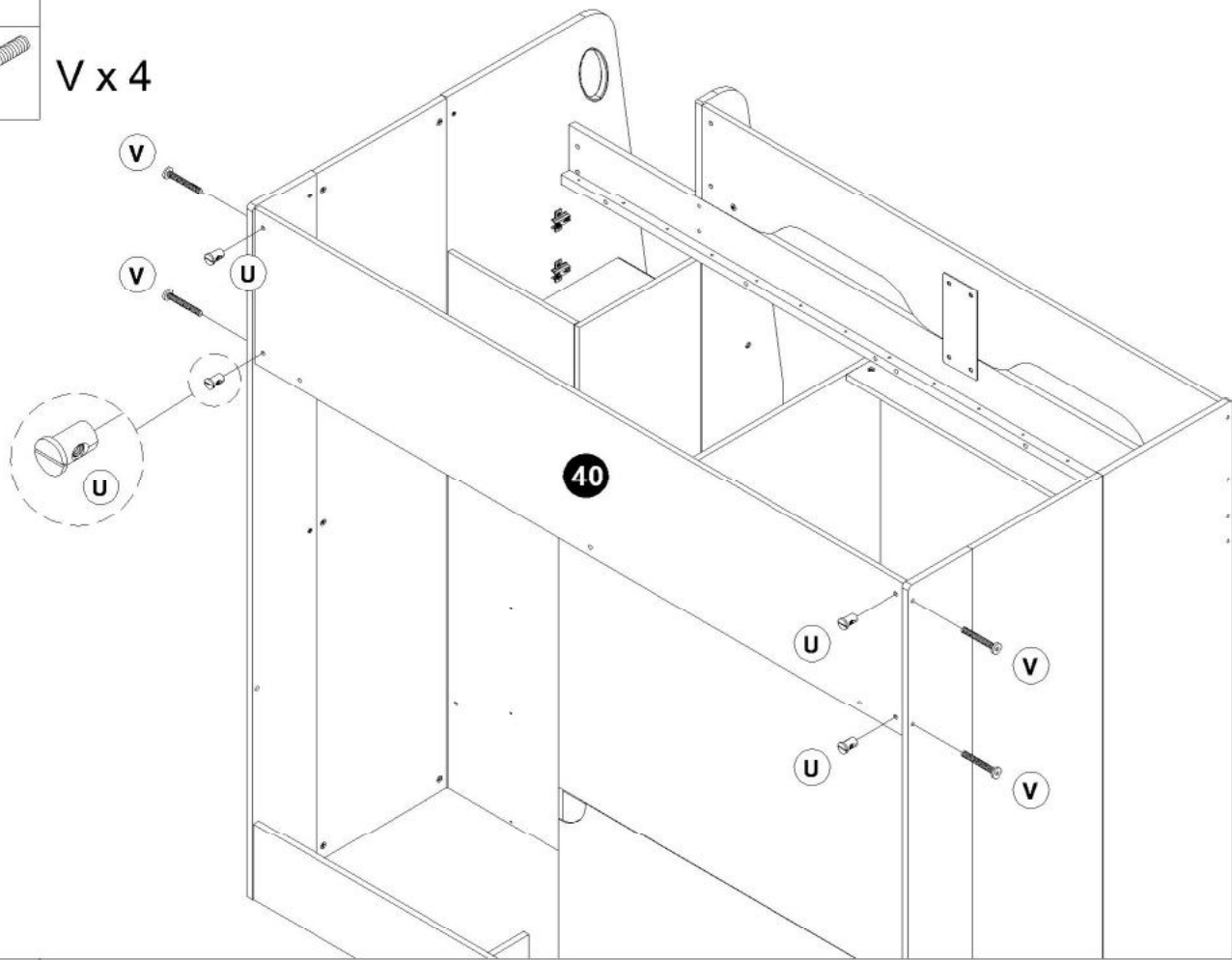


65

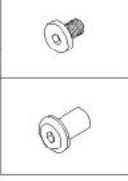


U x 4

V x 4

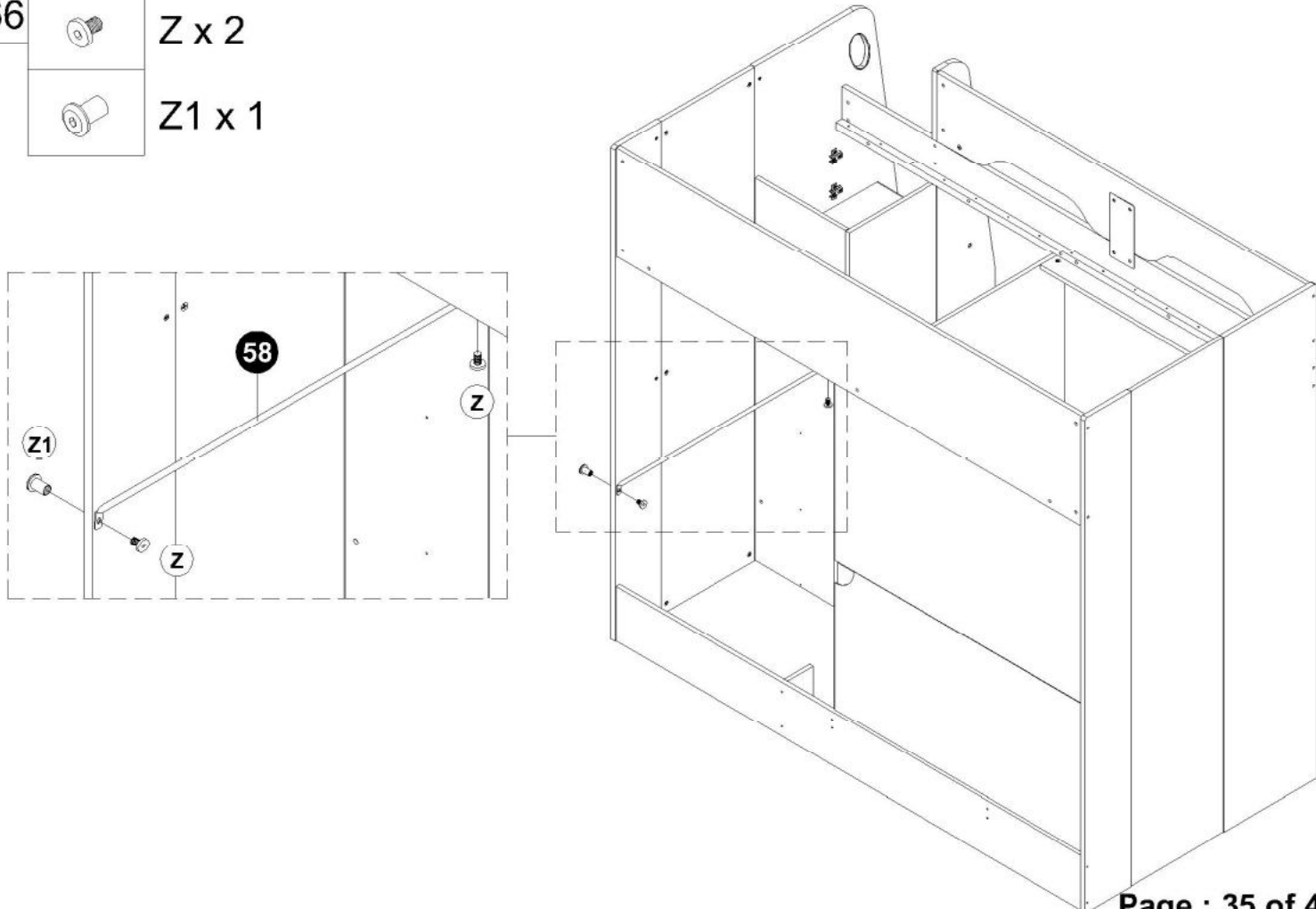


66

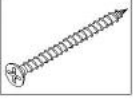


Z x 2

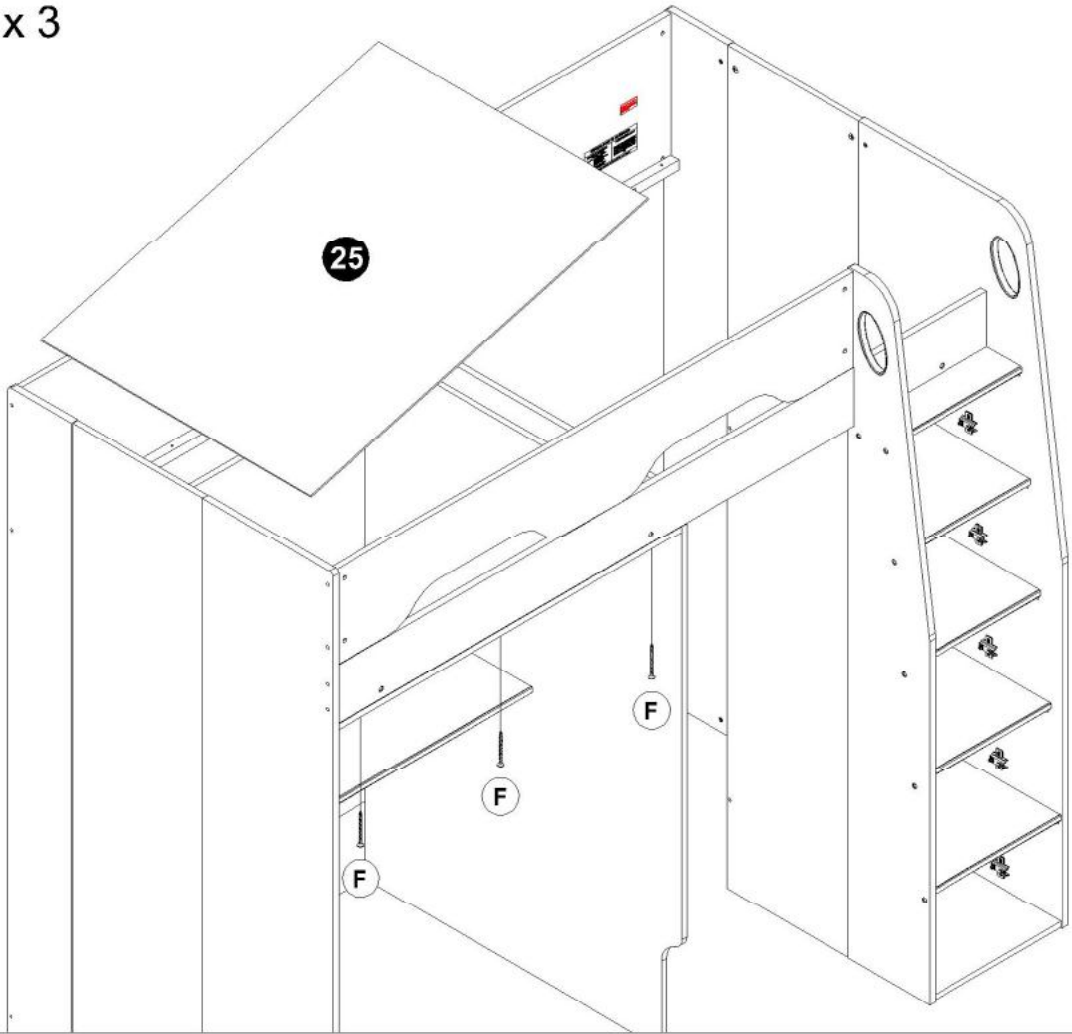
Z1 x 1



67



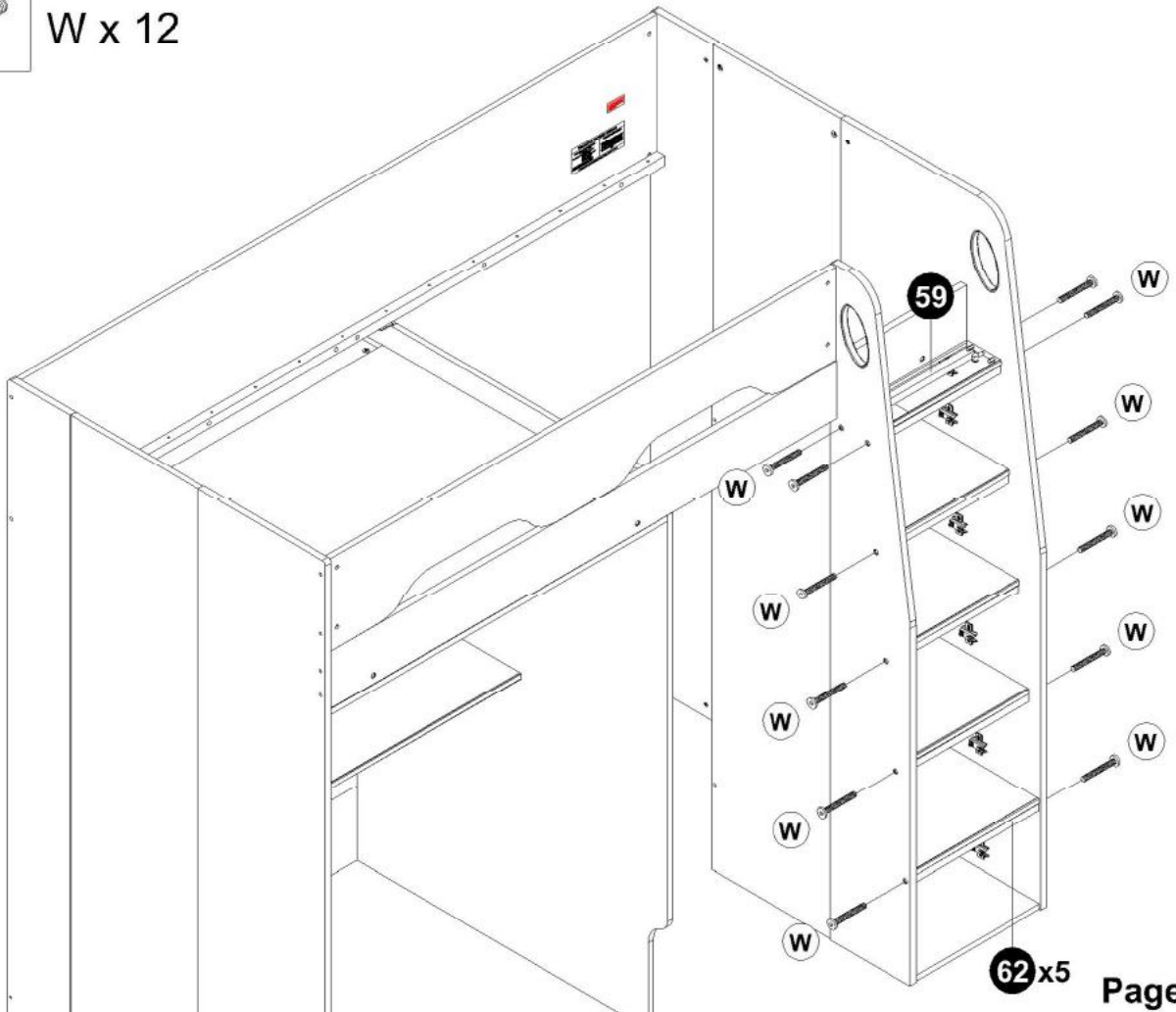
F x 3



68



W x 12



62x5

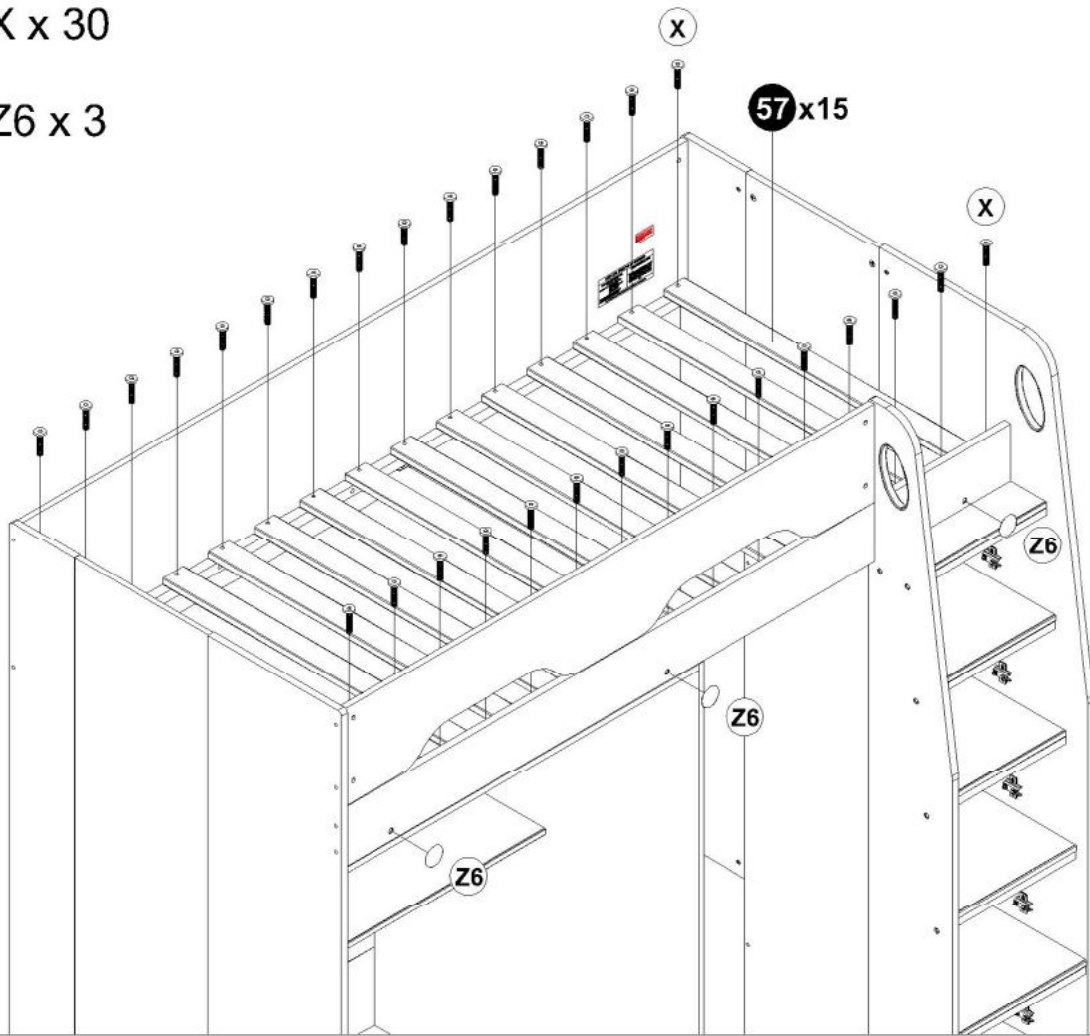
69



X x 30



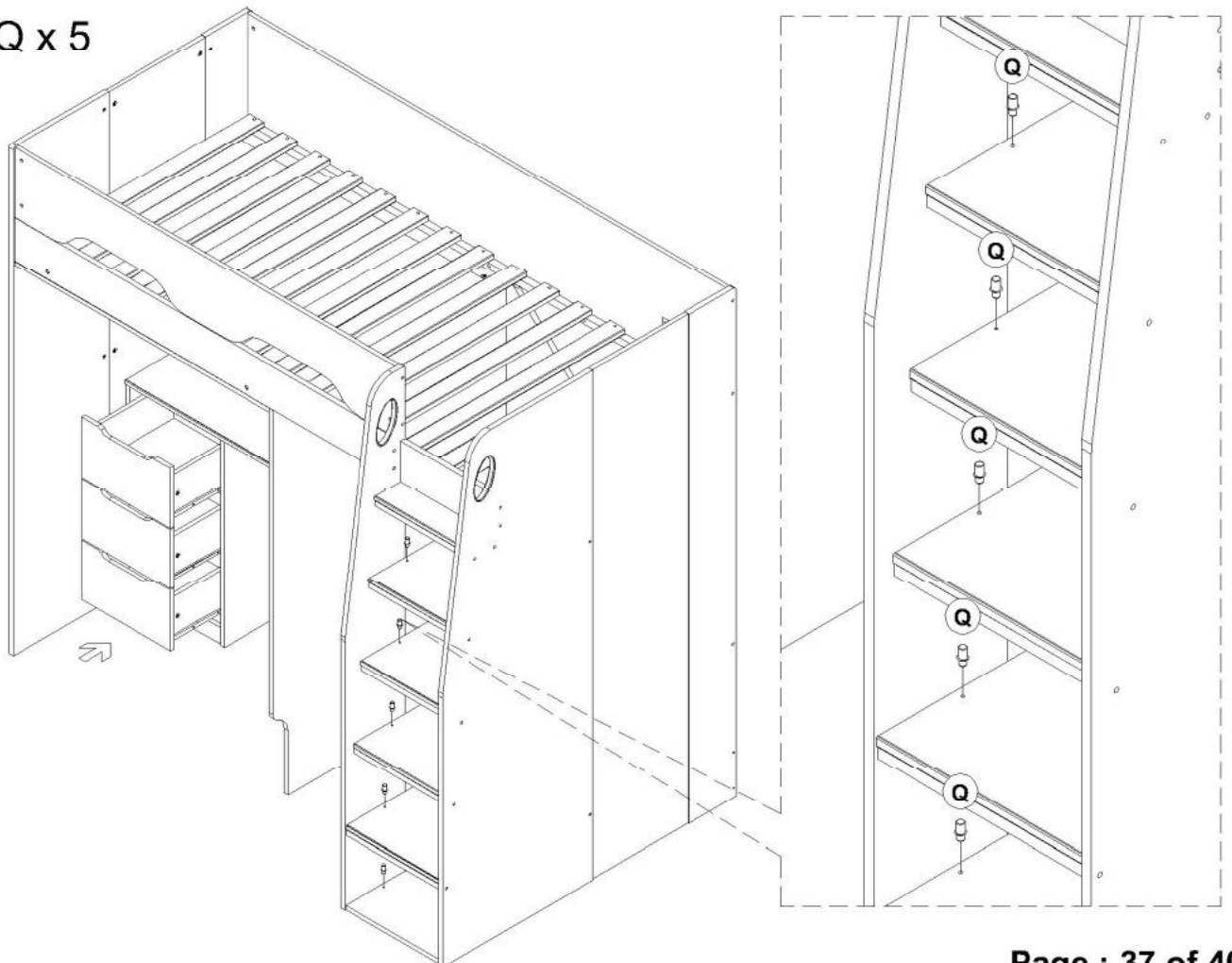
Z6 x 3



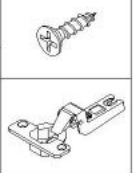
70



Q x 5

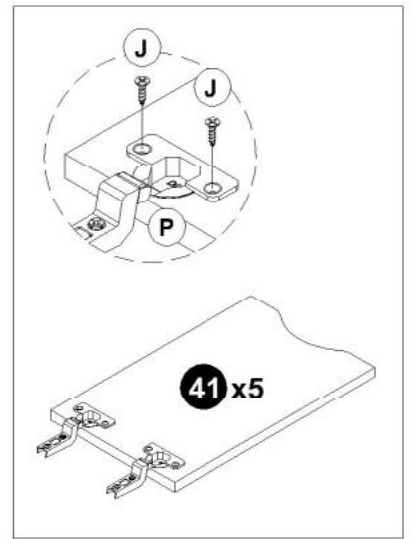
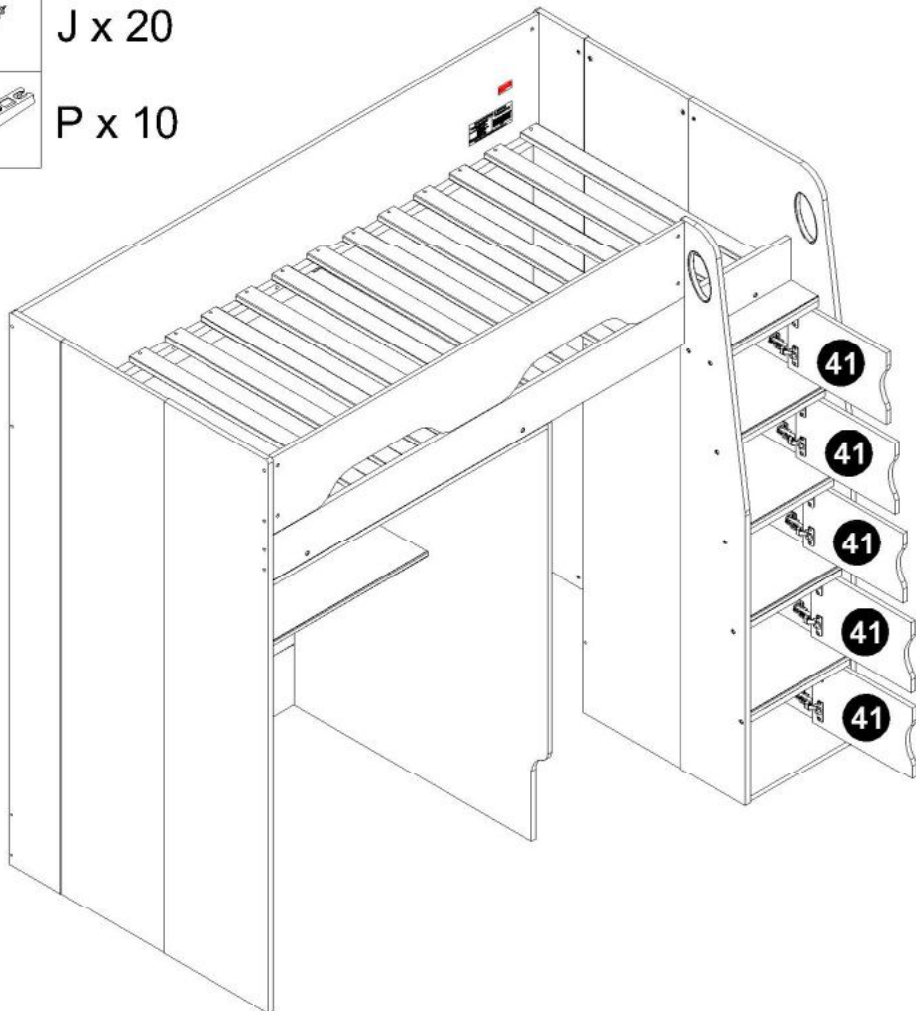


71

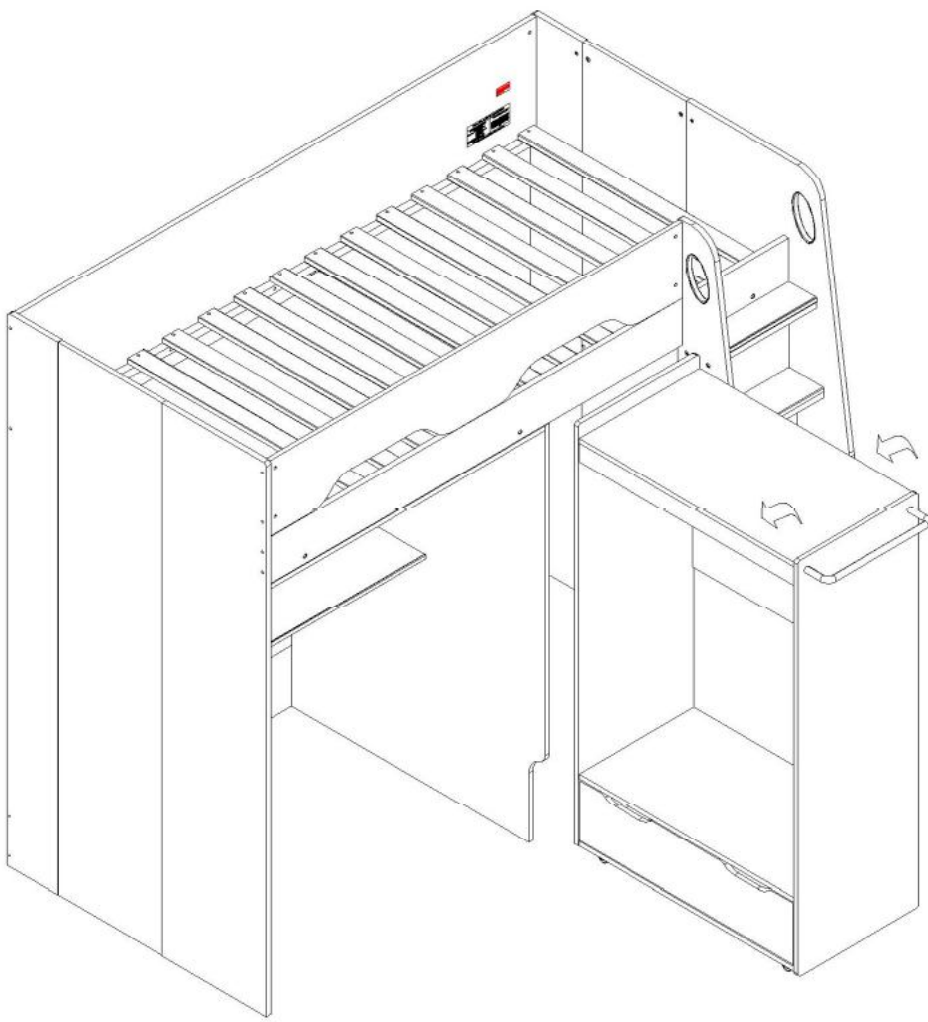


J x 20

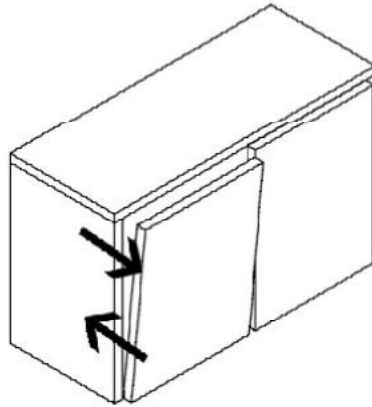
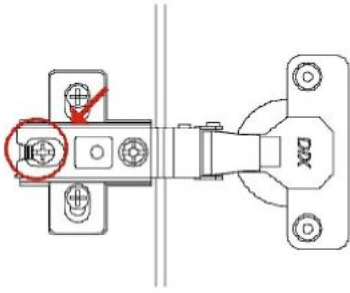
P x 10



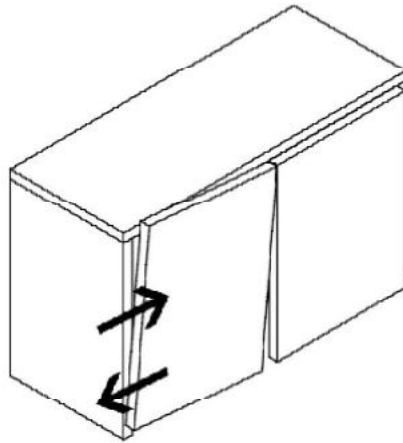
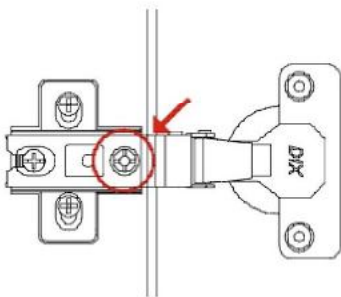
72



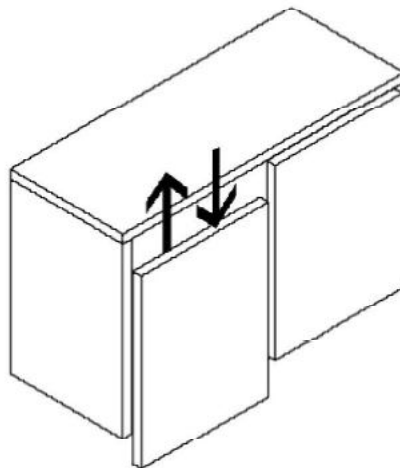
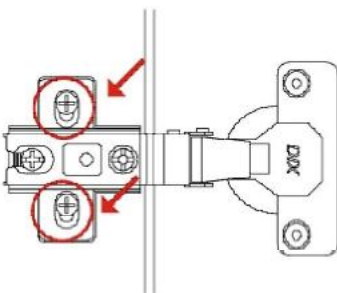
# Adjusting Possibilities



**Depth Adjustment**  
after loosening the hinge  
arm mounting screw



**Lateral Adjustment**  
by adjusting screw



**Vertical Adjustment**  
via mounting plate (via  
slots or, if in two pieces,  
via screw)



# **General Care**

Wipe clean with a slightly damp soft cloth.

Avoid the use of all household cleaners and abrasives.

When moving your furniture, carefully lift into place. Never drag or push the pieces across the floor as this will cause damage to the joints and could result in failure to the product that will invalidate the warranty.

# **Recommendations**

Periodical re-tightening of fixings.

# **Warning**

This unit is heavy. Please use an assistant when lifting.

# **Notes**

We've tried to make this piece of furniture as easy to assemble as possible. In the unlikely event that you have problems putting it together or have damaged or missing pieces, please contact our customer services on 01623 727374