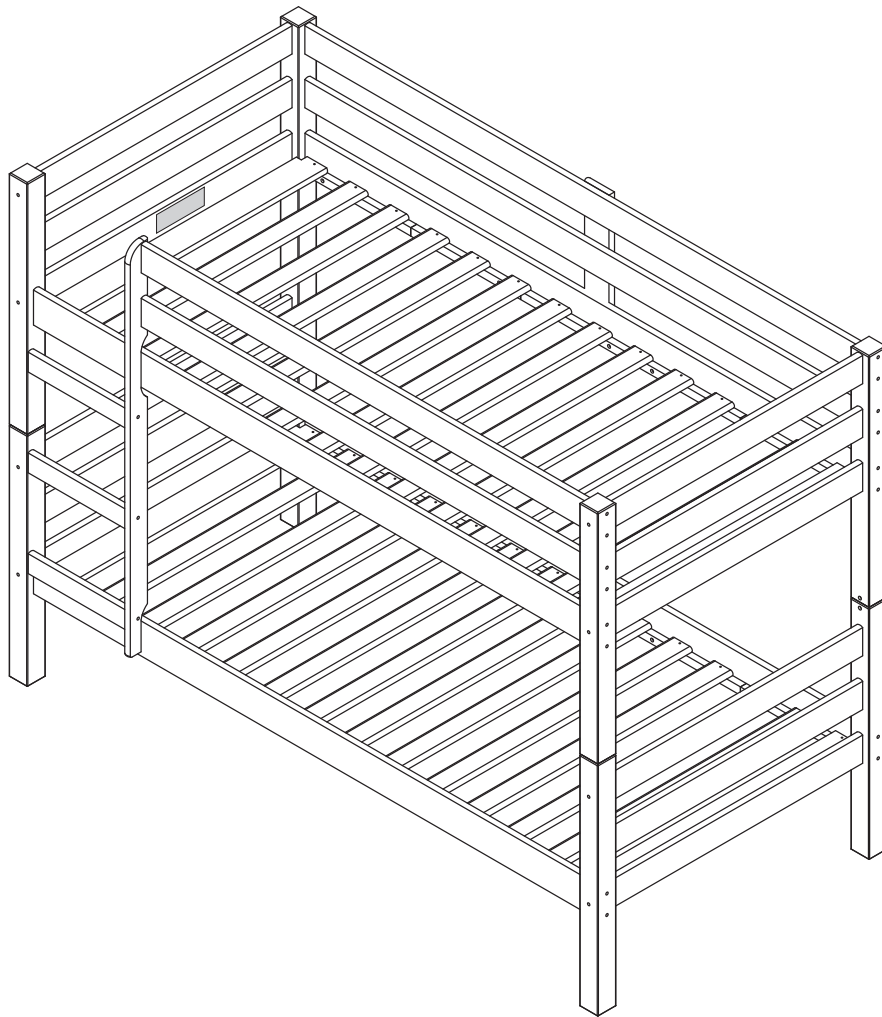


# Julian Bowen Limited

## Wyoming Bunk Bed 90cm

### Assembly Instructions



# Safety Advice

Please take the time to carefully read through the whole of these instructions before you commence.

Keep these instructions for future reference.

Unpack, inspect and check off all of the contents.

Please dispose of all packaging safely.

Small component parts could choke a child if swallowed.

We strongly recommend that you keep children well away from the work area.

It would be sensible to lay a sheet or blanket on the floor where you intend to work to avoid scratching this product and to protect your floor.

This product is heavy. Take extreme care when lifting to avoid personal injury or damage to the product.

Assemble the product as close to its intended final position in the room as possible.

Please check the contents of boxes before attempting to assemble this product. A full checklist of parts and fittings is given in page 4 of this instruction leaflet .

This Bunk conforms with BS EN 747 - 1 & 2 (2007).

**HANDY HINT:** If you keep the hardware in a bowl during assembly you will be less likely to lose them.

## Important Information

Tighten firmly all the fittings when the assembly is complete.

The bed base is an integral and indissociable part of the bed.

The upper bed is not suitable for a child under 6 years old.

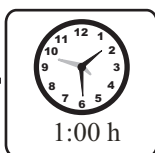
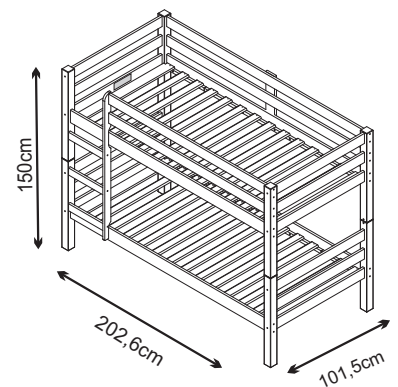
Be aware of the risk of children falling from the upper bunk.

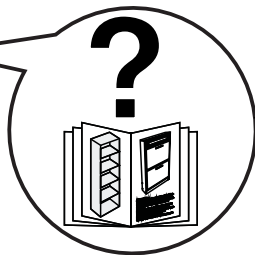
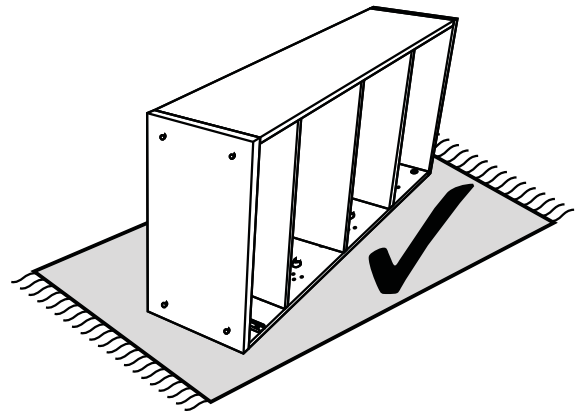
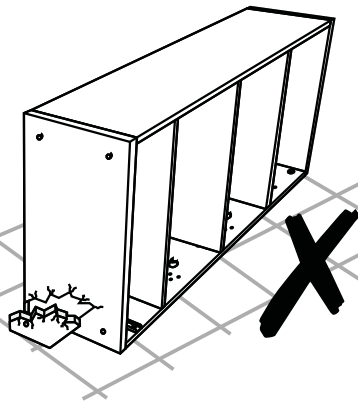
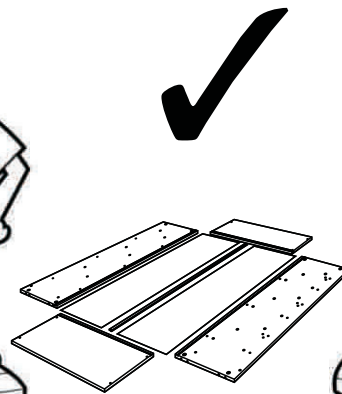
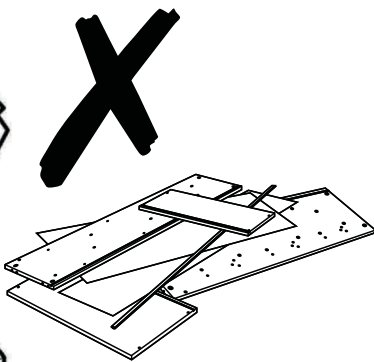
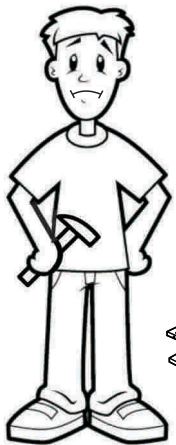
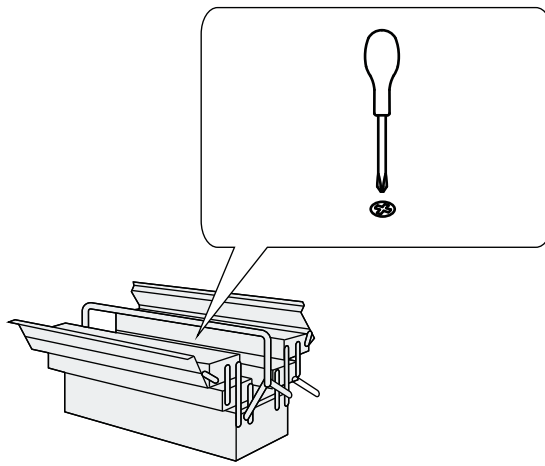
It is not safe to use this product if any part of the structure is missing or broken.

Children could strangle themselves with articles, such as ropes, strings, ribbons, harnesses and tied or hung belts on this product.

To ensure children cannot be trapped between the bed and the wall, the distance between the upper guard rail and the wall should not exceed 75 mm or should be at least of 230 mm.

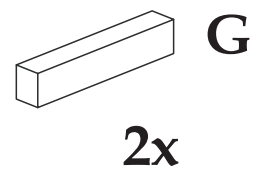
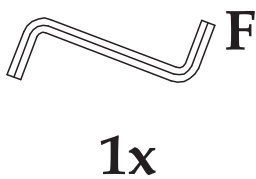
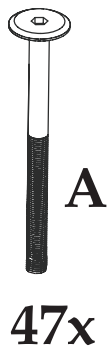
The largest size of the mattress recommended is: 190 X 91 X 22.5 cm.



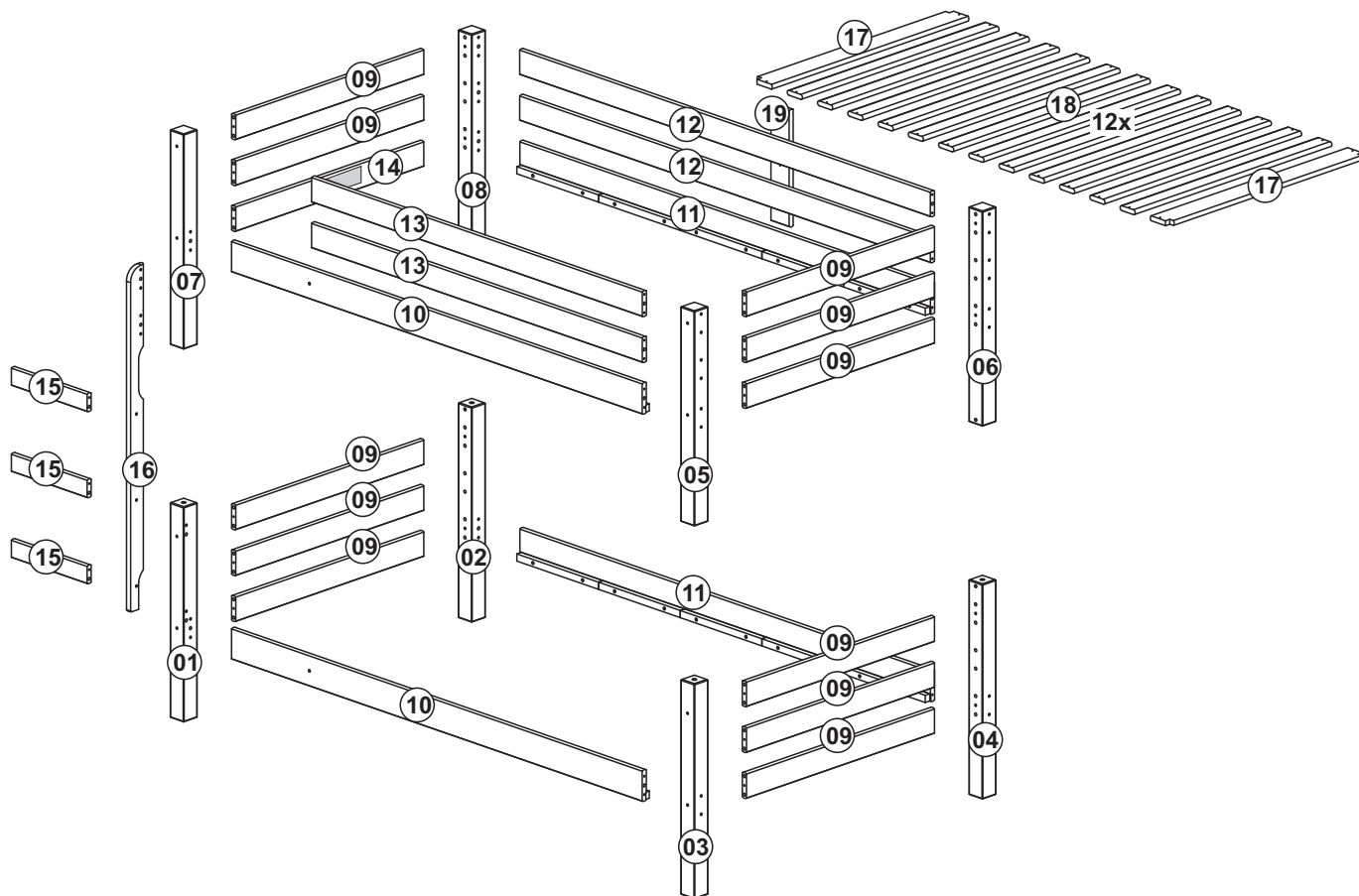
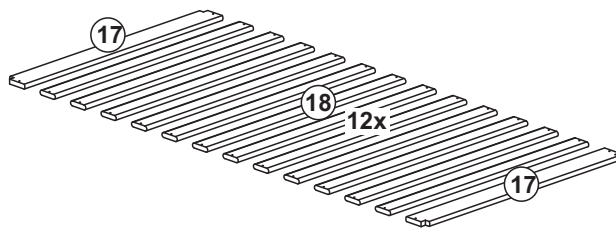


**Julian Bowen Limited**  
**(01623 727374)**

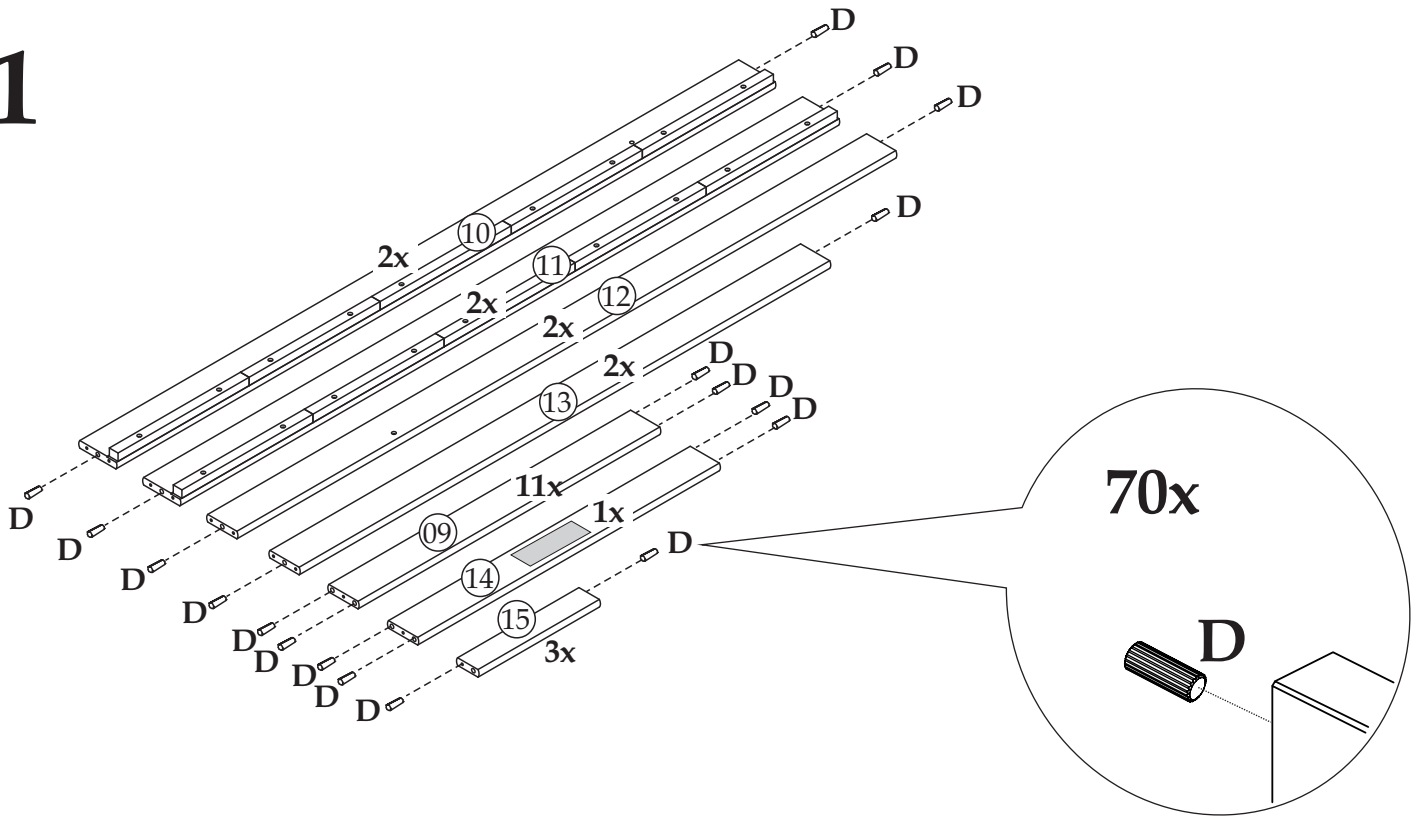
# HARDWARE



# PARTS



# 1



**WYOMING BUNK BED**  
Product Code: WYO001

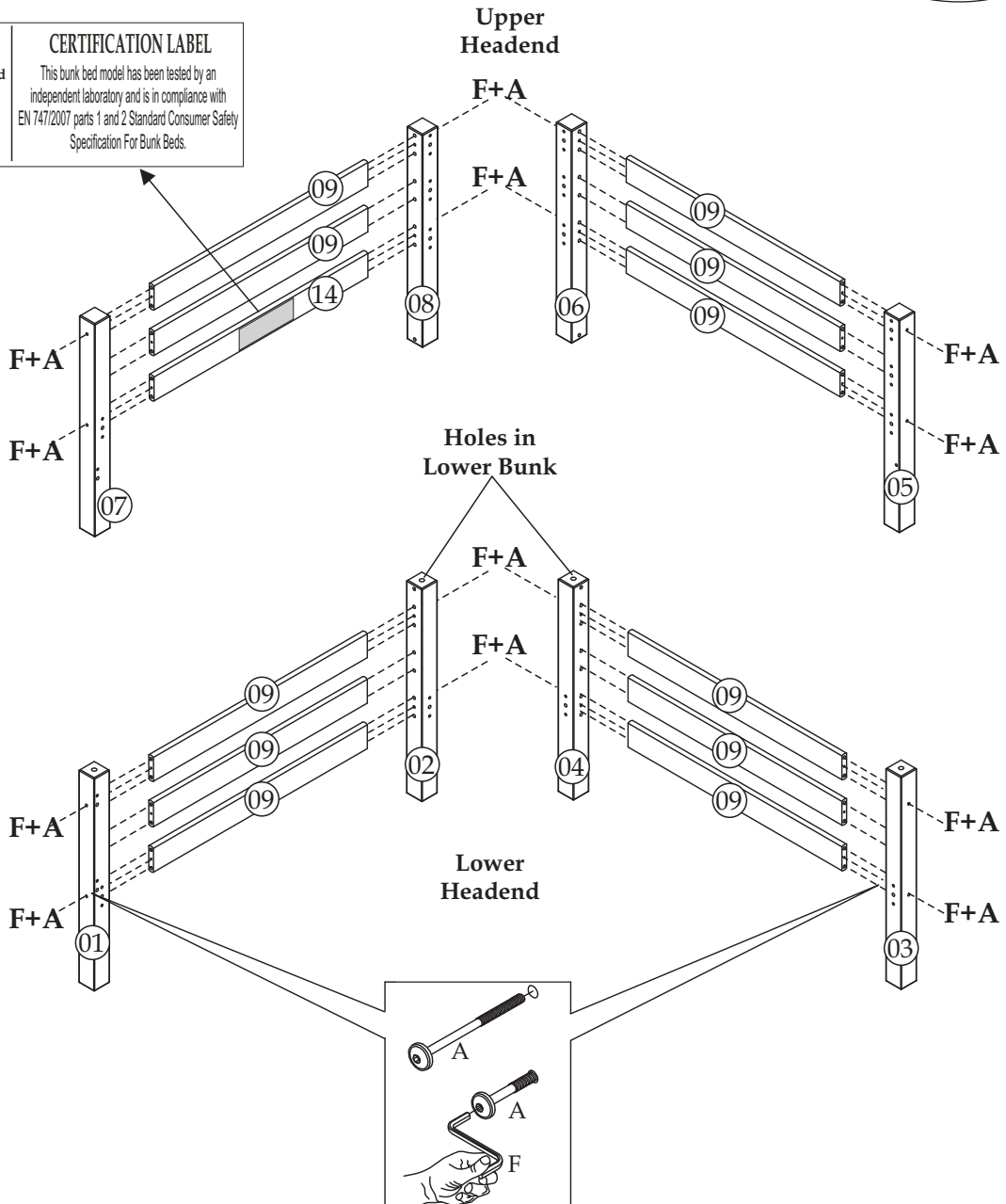
DISTRIBUTED BY: **Julian Bowen Limited**  
Benlinc House, Park Lane Business Park  
Kirkby in Ashfield, Notts NG17 9LE

FACTORY CODE: # MADE IN BRAZIL  
DATE OF MANUFACTURE: xxxxxx/xxxx

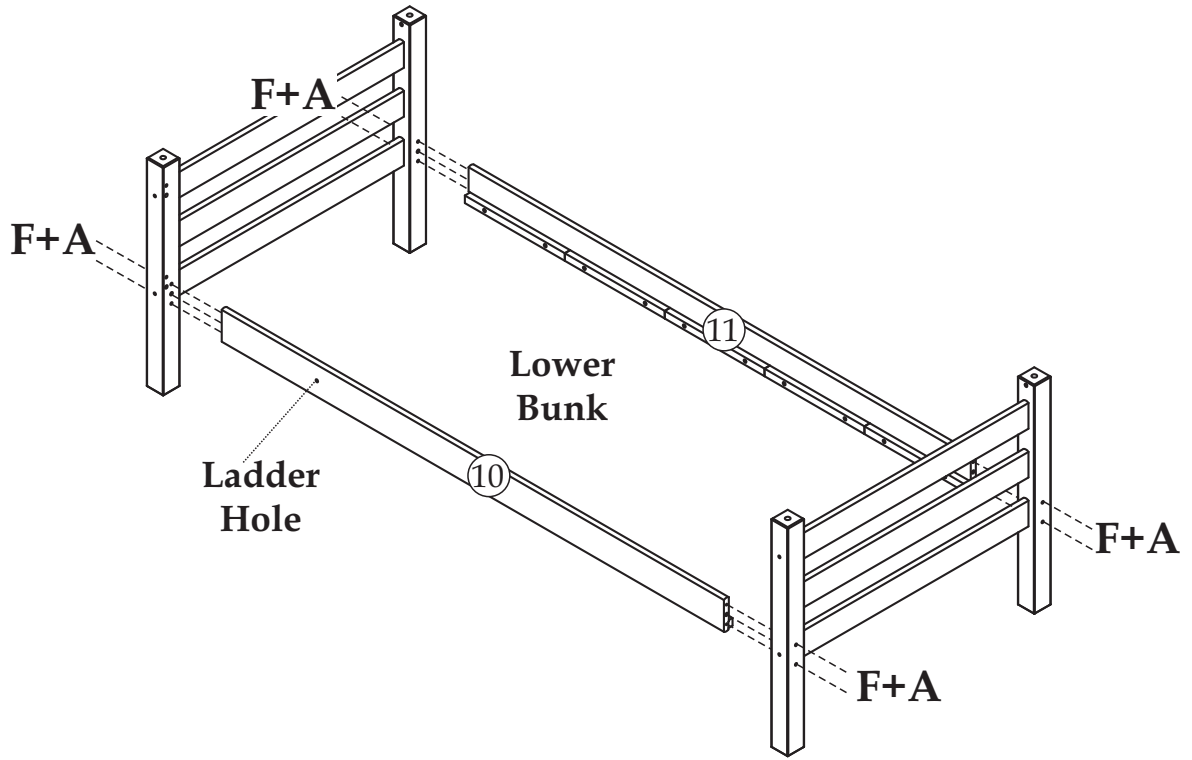
**CERTIFICATION LABEL**

This bunk bed model has been tested by an independent laboratory and is in compliance with EN 747/2007 parts 1 and 2 Standard Consumer Safety Specification For Bunk Beds.

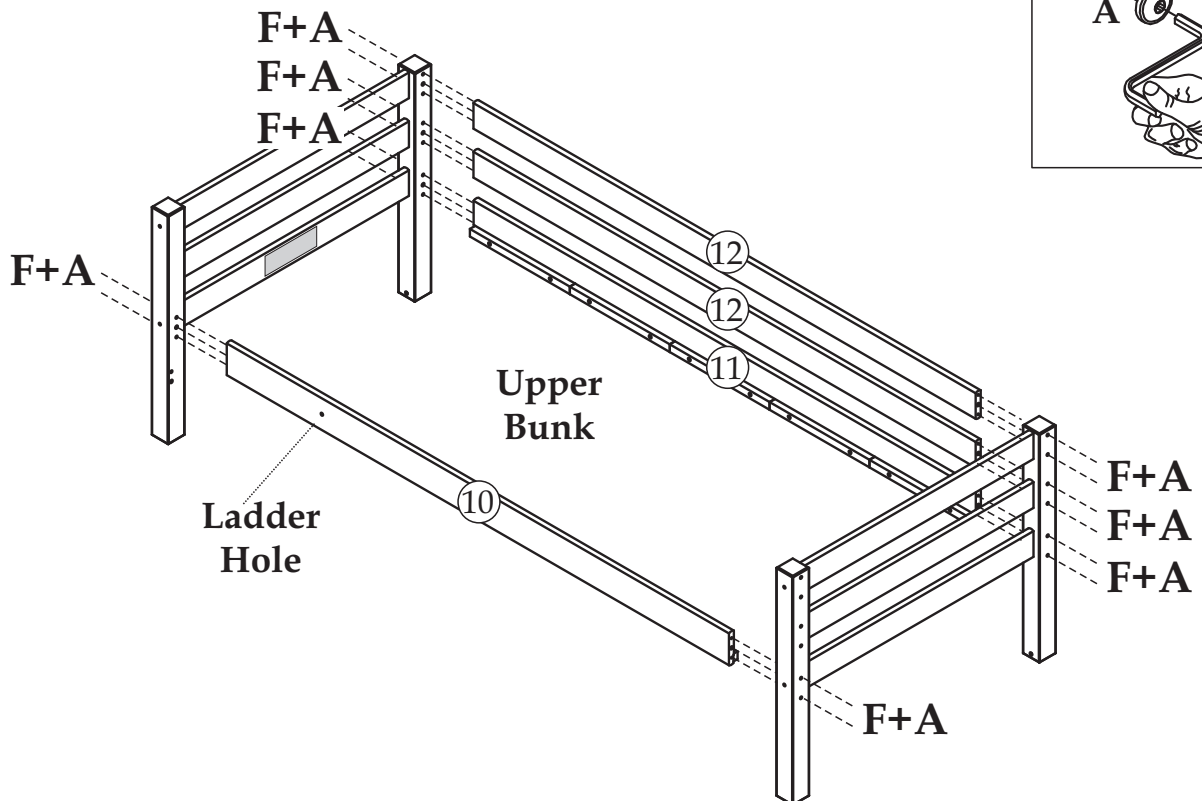
# 2



3

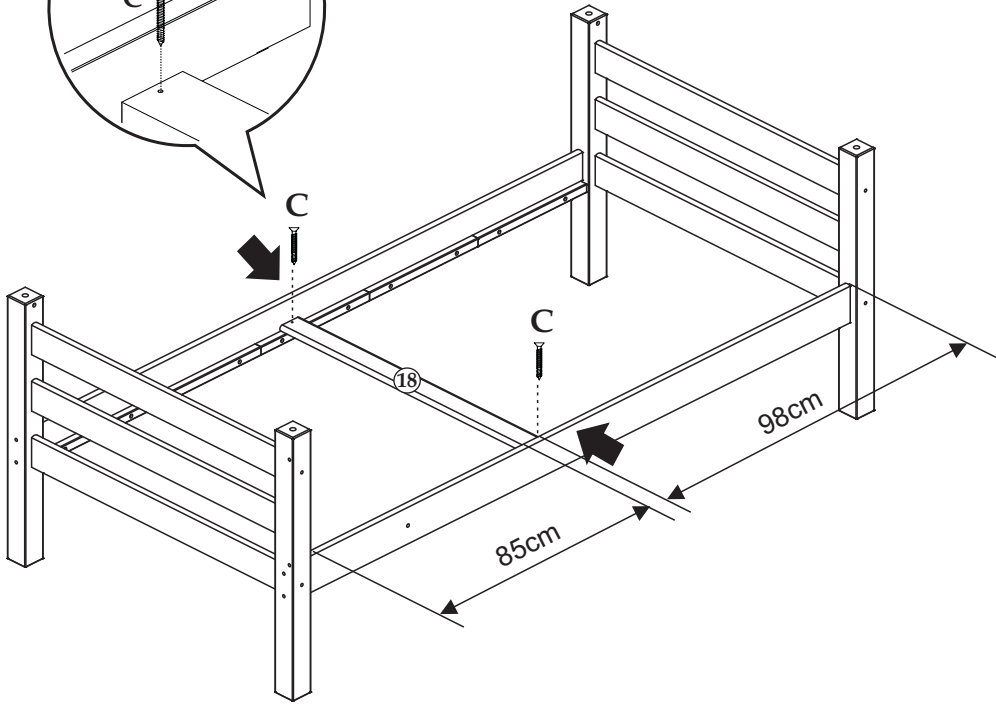
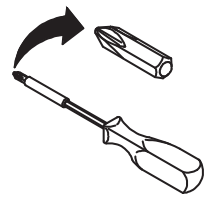
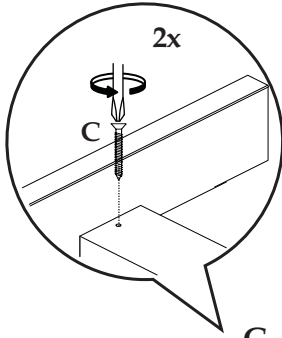


4

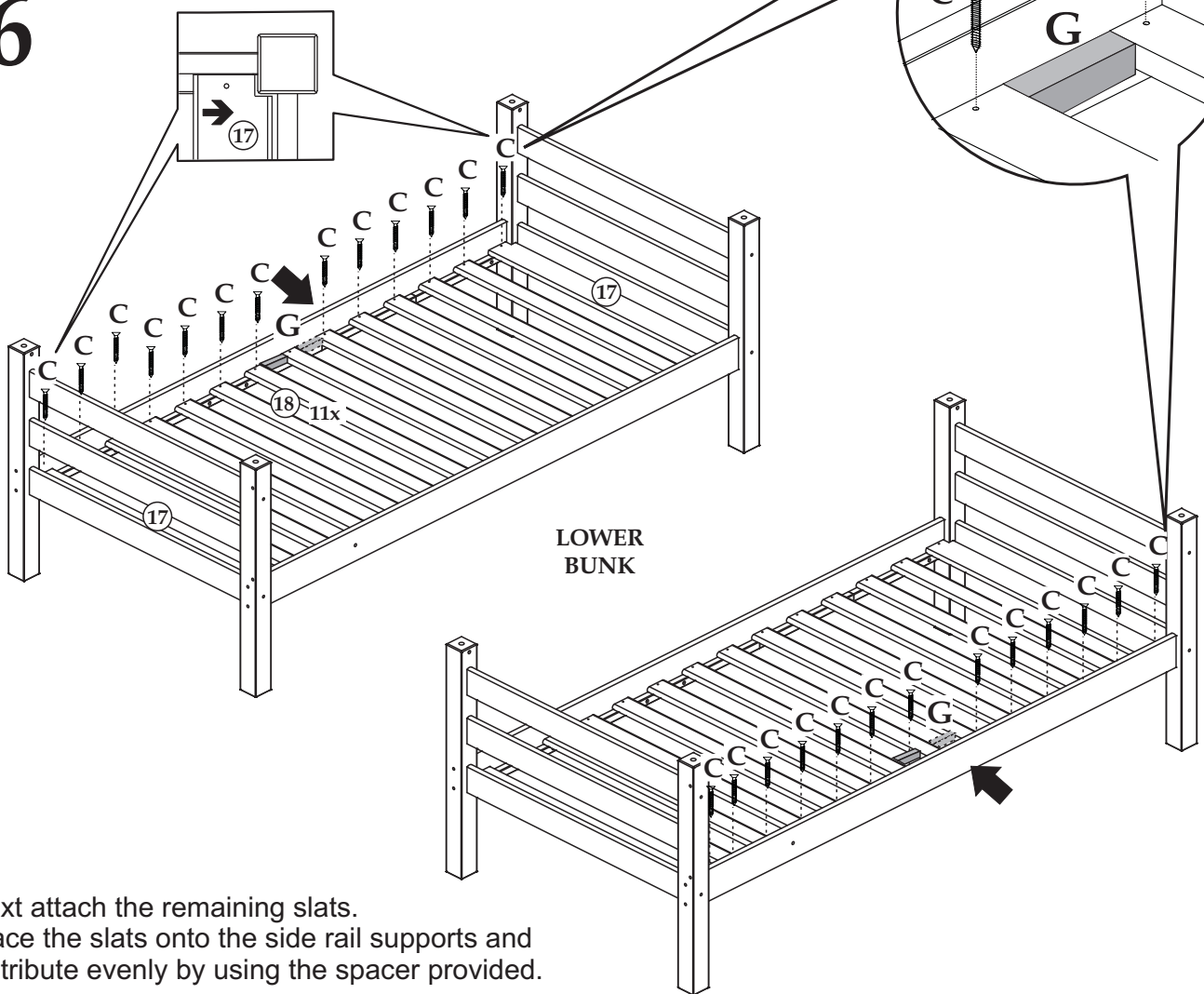
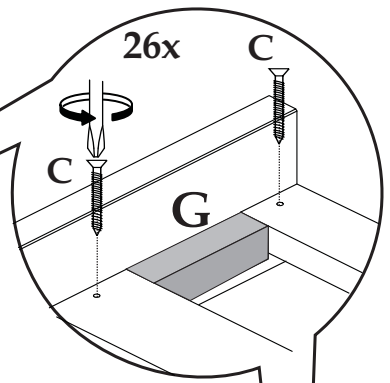


5

Attach the centre slat first by pushing the side rails together so that the slat is flush against the side rail, before inserting the screws.

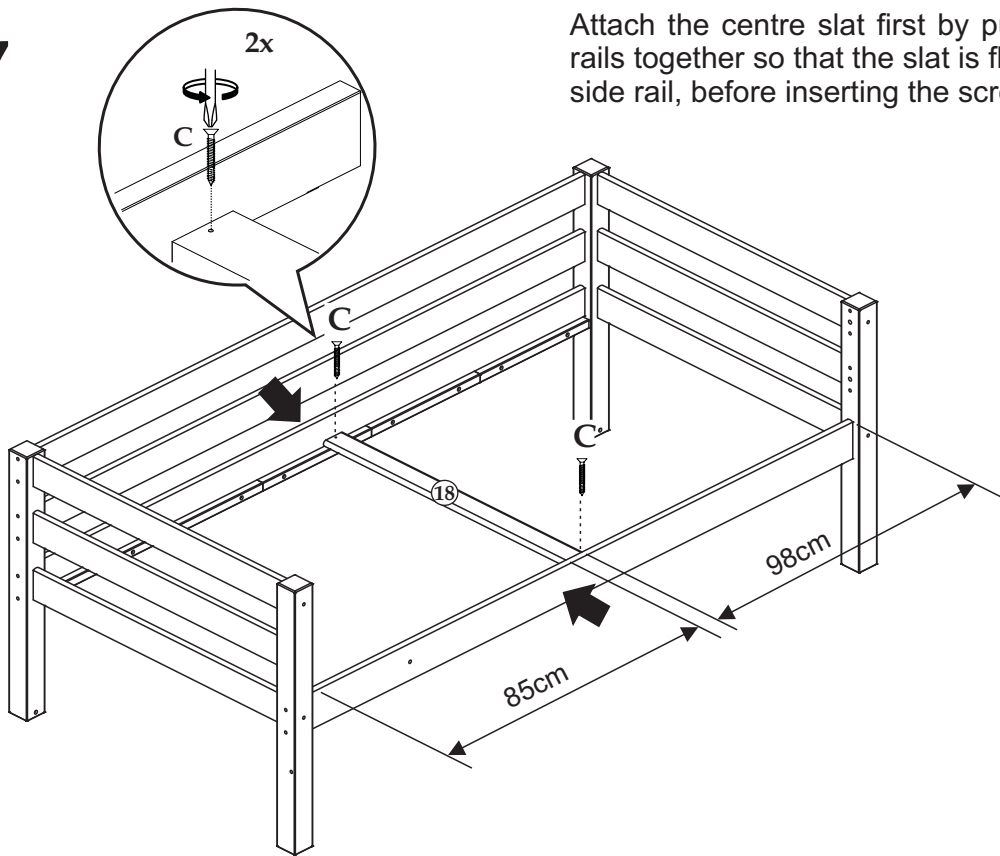


6



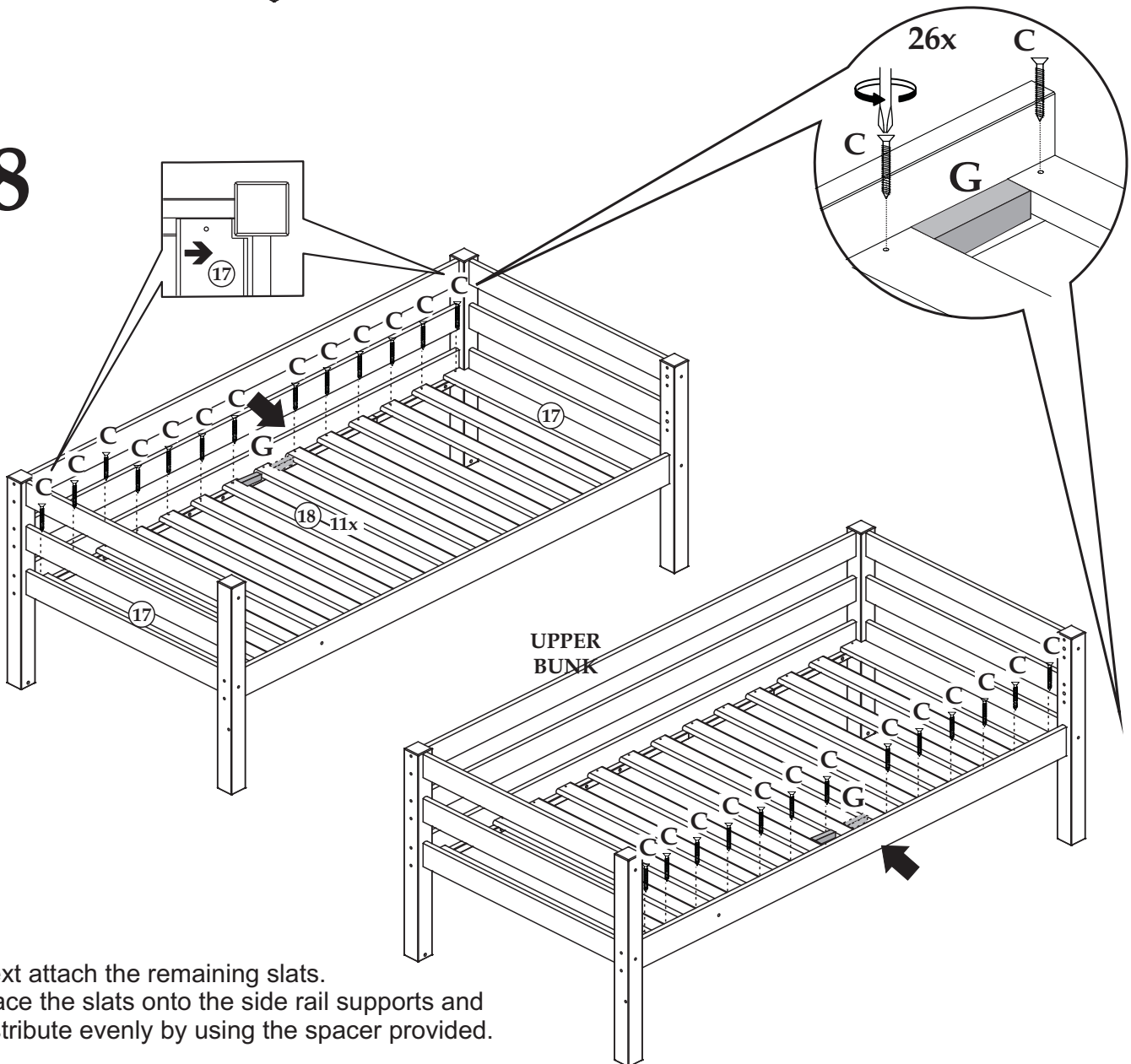
Next attach the remaining slats.  
Place the slats onto the side rail supports and  
distribute evenly by using the spacer provided.

# 7



Attach the centre slat first by pushing the side rails together so that the slat is flush against the side rail, before inserting the screws.

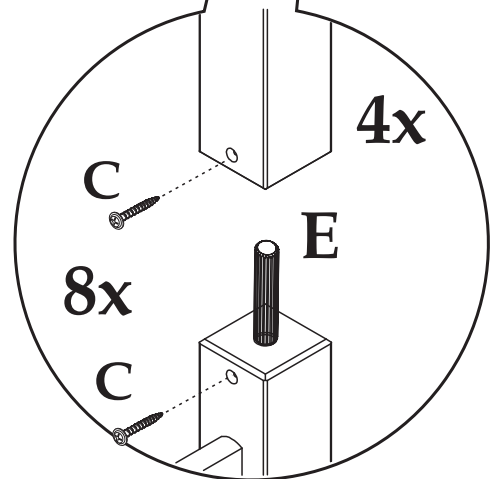
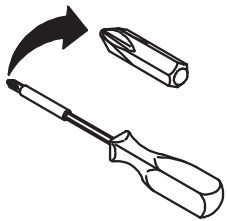
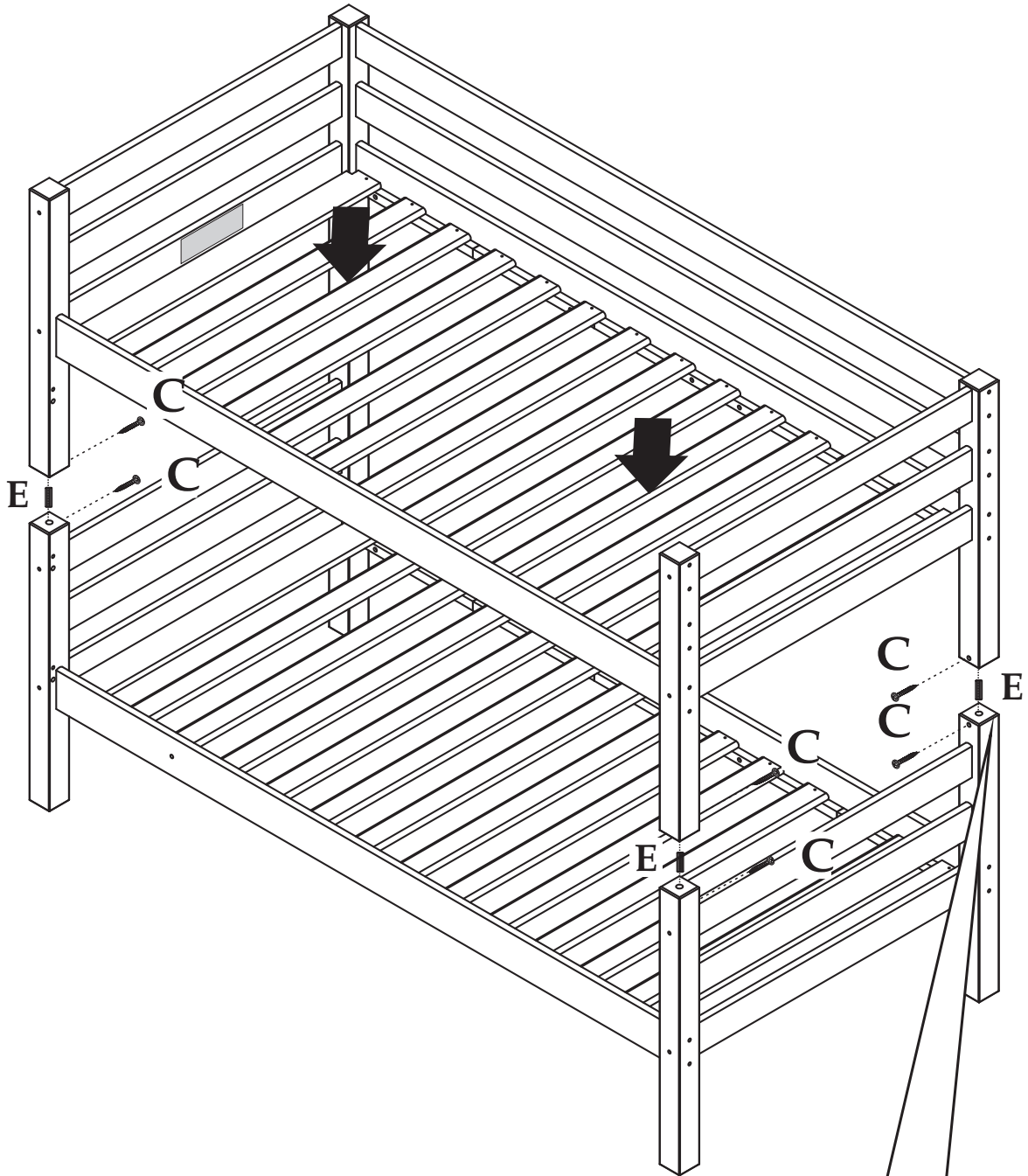
# 8



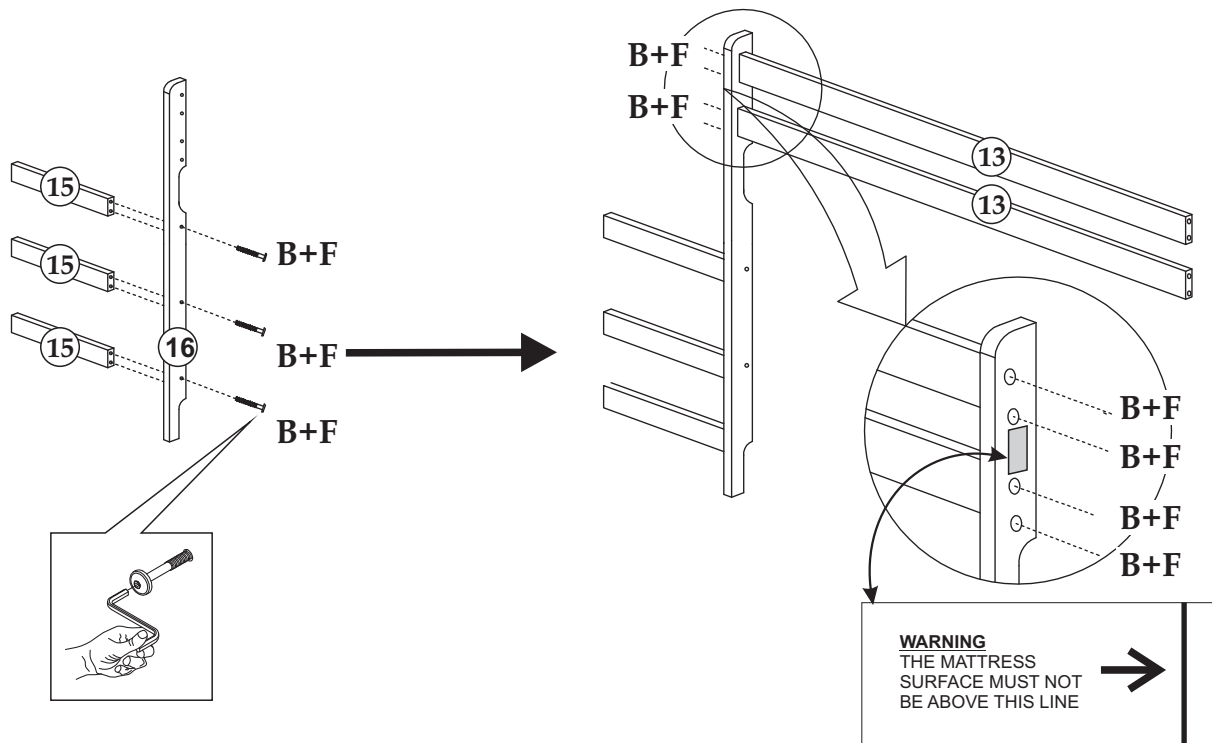
Next attach the remaining slats. Place the slats onto the side rail supports and distribute evenly by using the spacer provided.



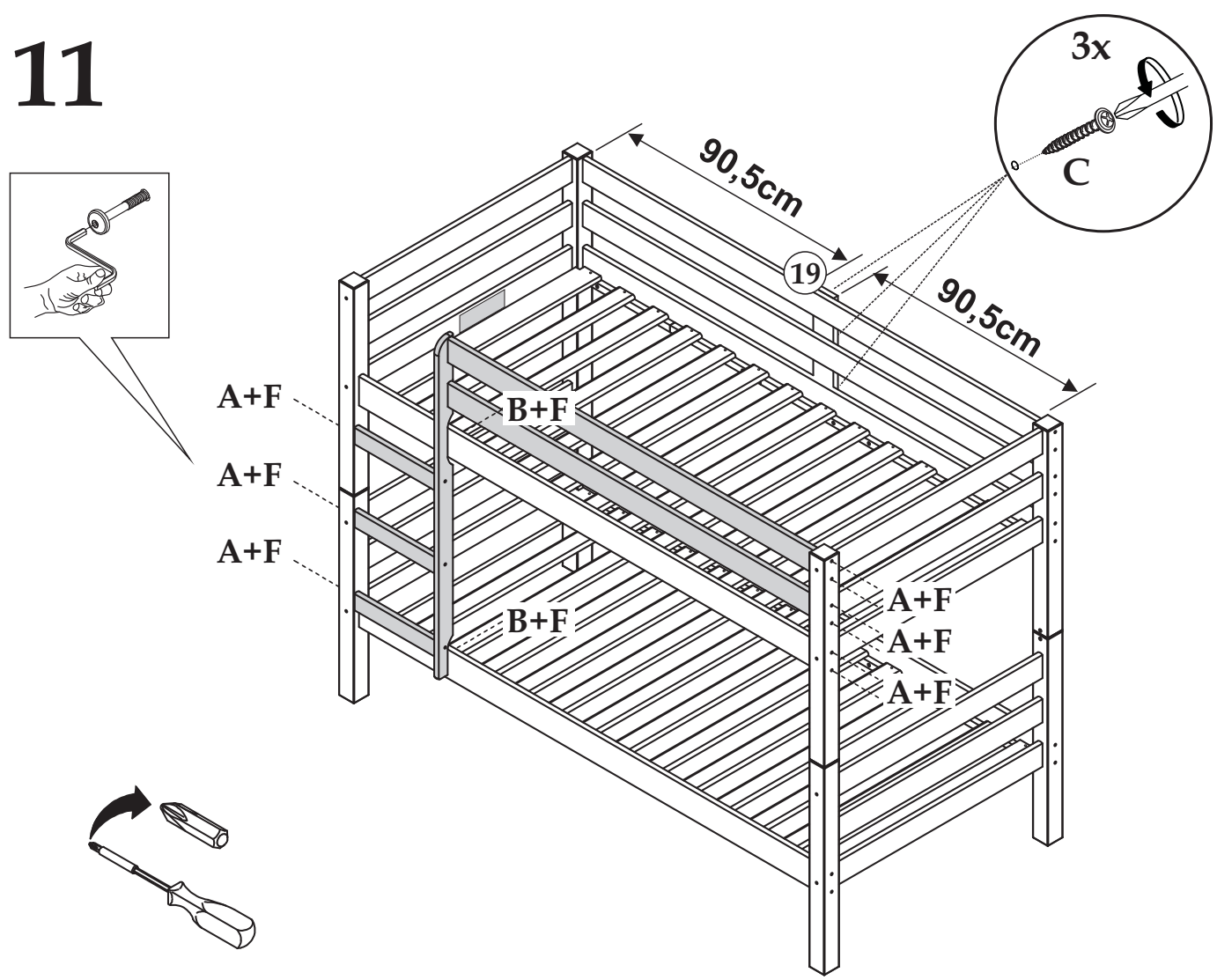
9



# 10



# 11



## **General Care**

Wipe clean with a slightly damp soft cloth. Avoid the use of all household cleaners and abrasives. When moving your furniture, carefully lift into place. Never drag or push the pieces across the floor as this will cause damage to the joints and could result in failure to the product that will invalidate the warranty.

## **Recommendations**

Periodical re-tightening of fixings.

## **Warning**

This unit is heavy. Please use an assistant when lifting.

## **Notes**

We've tried to make this piece of furniture as easy to assemble as possible.

In the unlikely event that you have problems putting it together or have damaged or missing pieces, please contact our customer services on 01623 727374.

## **Julian Bowen Limited**

Bentinck House, Park Lane Business Park, Kirkby-in-Ashfield,  
Notts, NG17 9LE - [www.julian-bowen.co.uk](http://www.julian-bowen.co.uk)