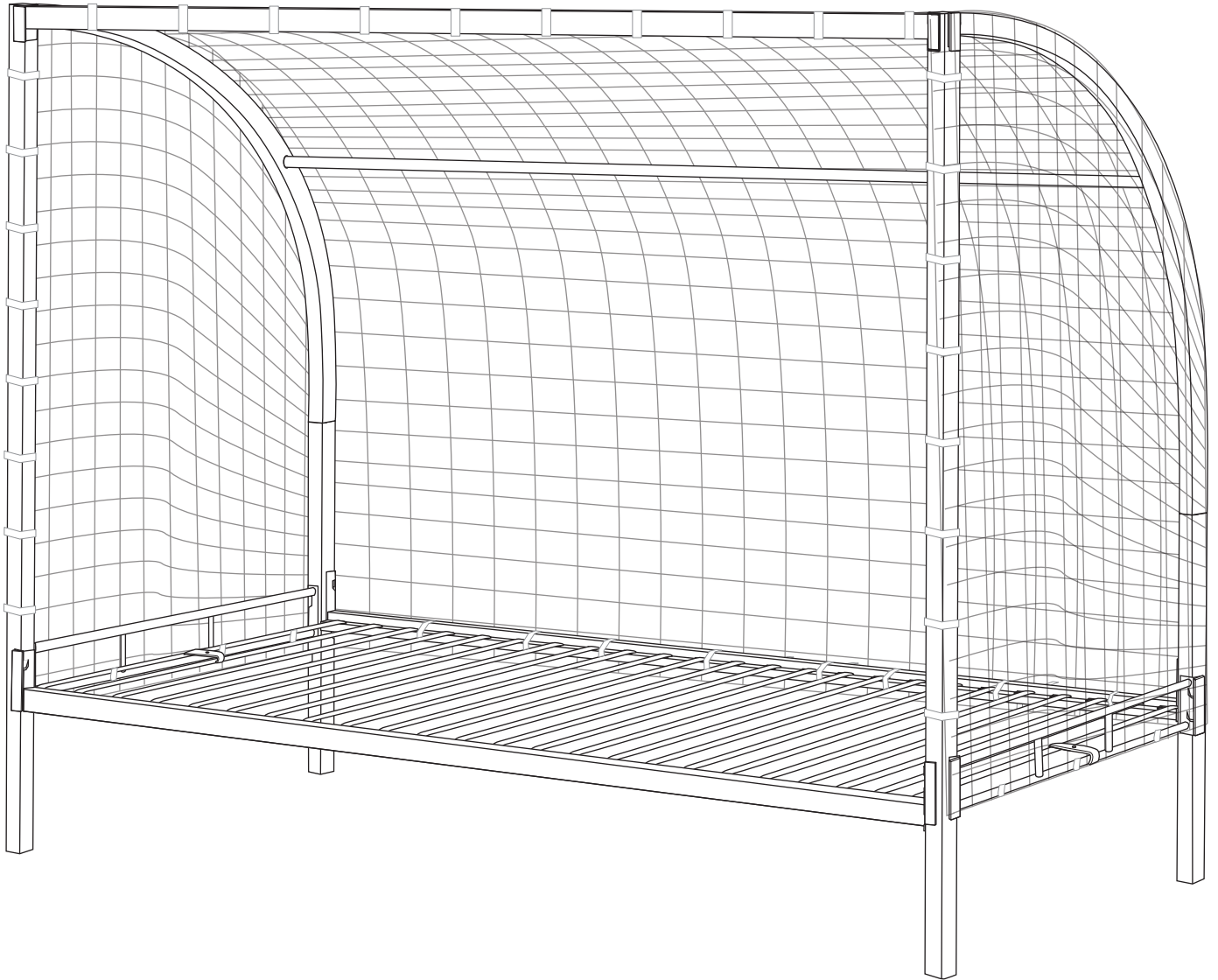


No Bolt Football Bed

Assembly Instructions - Please keep for future reference



Safety and Care Advice

- Important: Please read these instructions fully before starting assembly.
- Do not discard any of the packaging until you have checked that you have all the parts and the pack of fittings.
- Discard all extra fittings and keep fittings out of reach of children.
- Assemble this product on a flat and protected surface.
- At least 2 people are required to assemble this product.
- Assemble this product in the room intended for use.

Warnings:

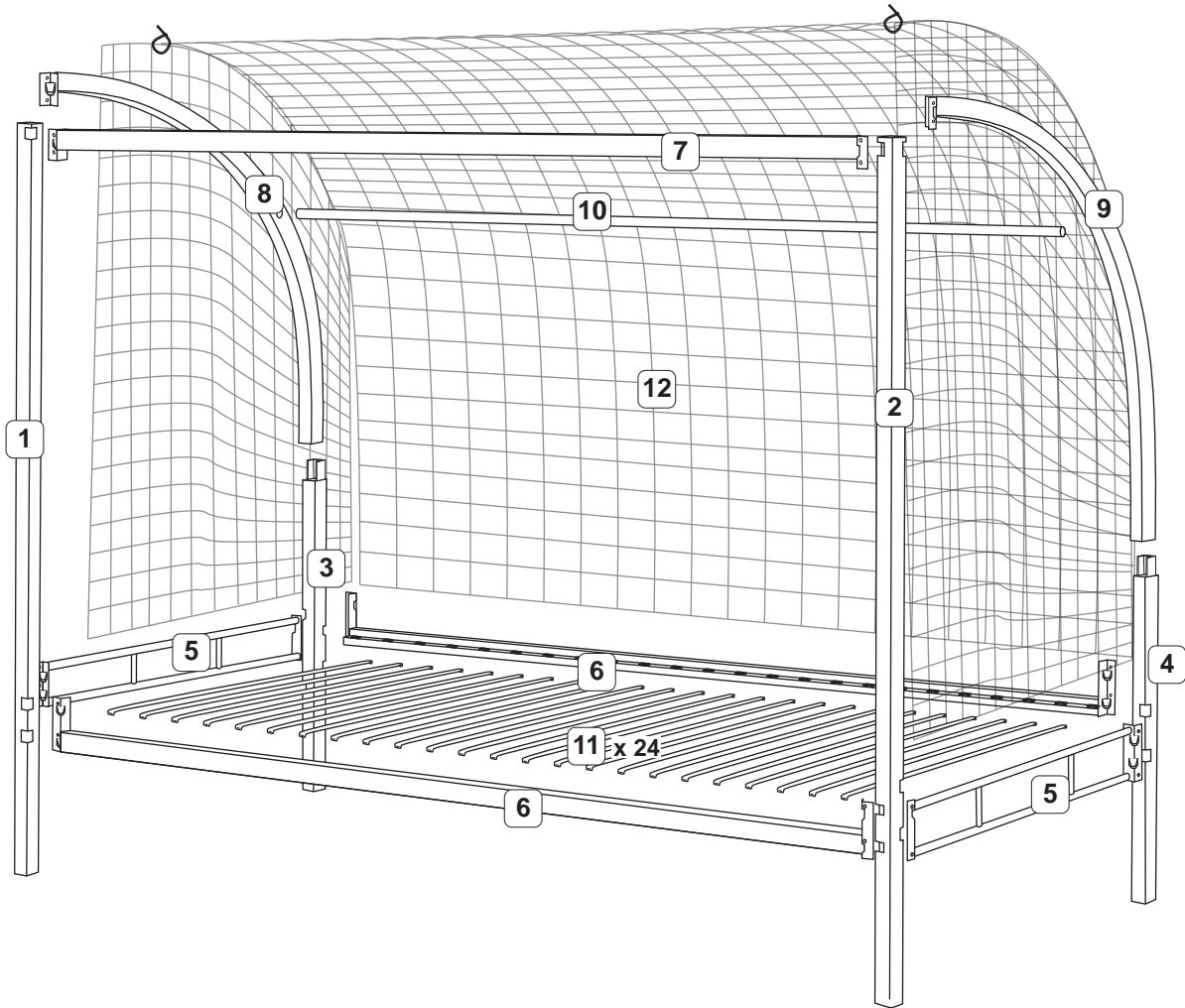
- This product should only be used on firm, level ground.
- Make sure the legs remain in contact with the ground.
- Do not stand on the product.

Care and maintenance:

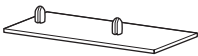
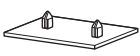



- Please clean the product using either damp (not wet) cloth and a mild domestic soap solution or by using an appropriate polish.
- Do not use abrasive materials when cleaning.
- From time to time, check that there are no loose plastic caps on this unit.

Parts List

- | | |
|---------------------------------------|------------------------------------|
| 1 FRONT-LEFT END POST - 1 pc. | 7 UPPER FRONT RAIL - 1 pc. |
| 2 FRONT-RIGHT END POST - 1 pc. | 8 LEFT CURVED POST - 1 pc. |
| 3 BACK-LEFT END POST - 1 pc. | 9 RIGHT CURVED POST - 1 pc. |
| 4 BACK-RIGHT END POST - 1 pc. | 10 UPPER BACK RAIL - 1 pc. |
| 5 SIDE RAIL - 2 pcs. | 11 SLATS - 24 pcs. |
| 6 LOWER RAIL - 2 pcs. | 12 NET - 1 pc. |



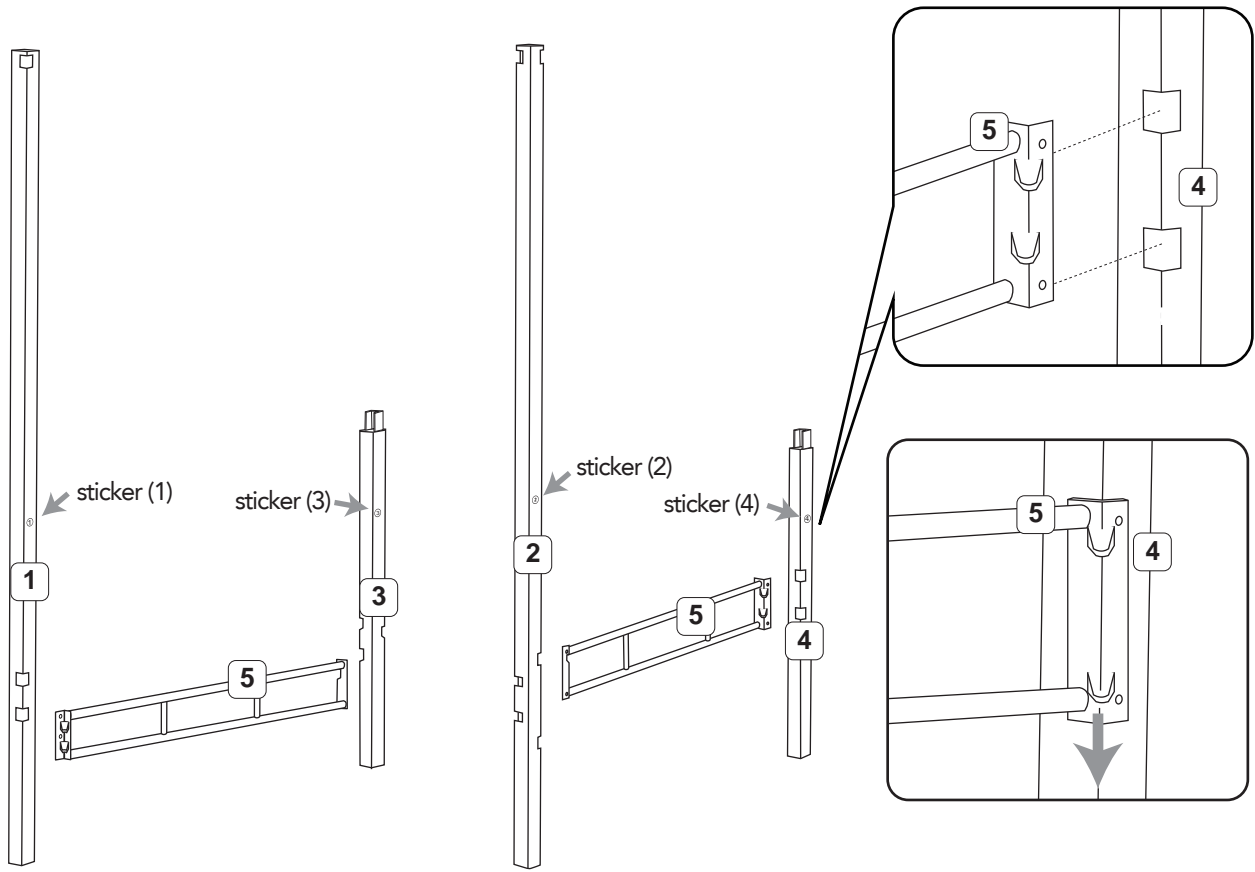
Fittings List

<p>A </p> <p>LONG CAP - 8 pcs.</p>	<p>B </p> <p>SHORT CAP - 6 pcs.</p>	<p>C </p> <p>HOOK & LOOP FASTENER - 40 pcs.</p>
<p>D </p> <p>WALL STRAP - 1 pc.</p>	<p>E </p> <p>BRACKET - 2 pcs.</p>	

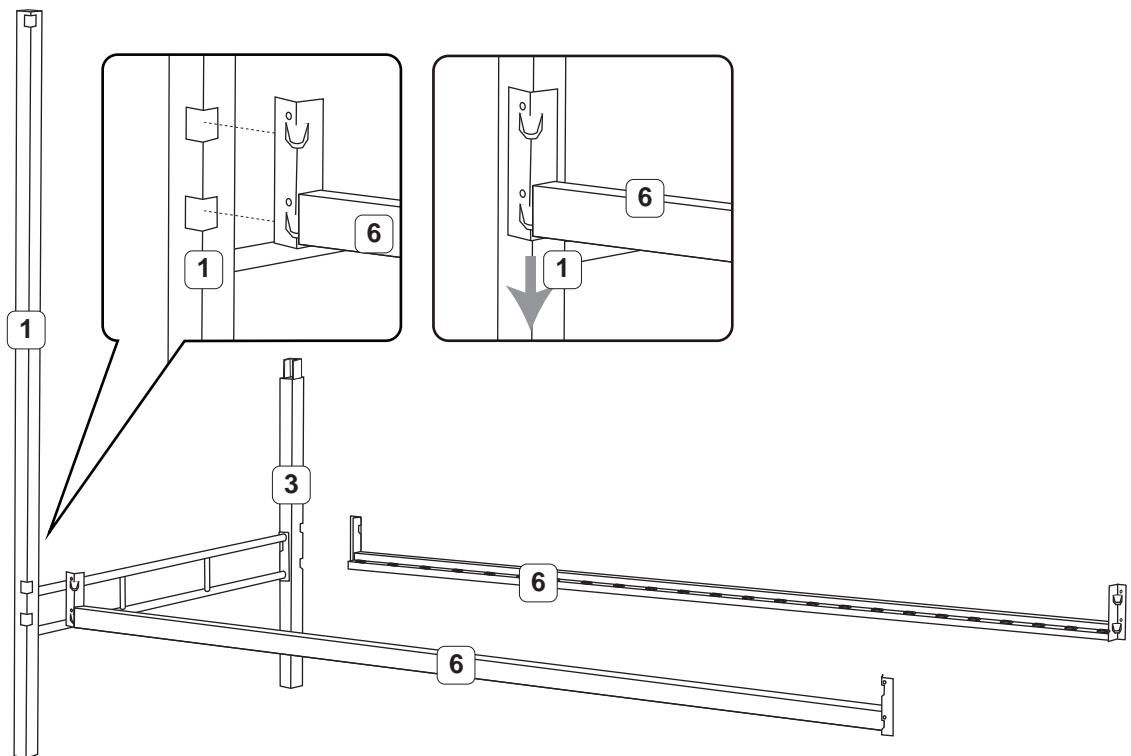
Additional Tools Required



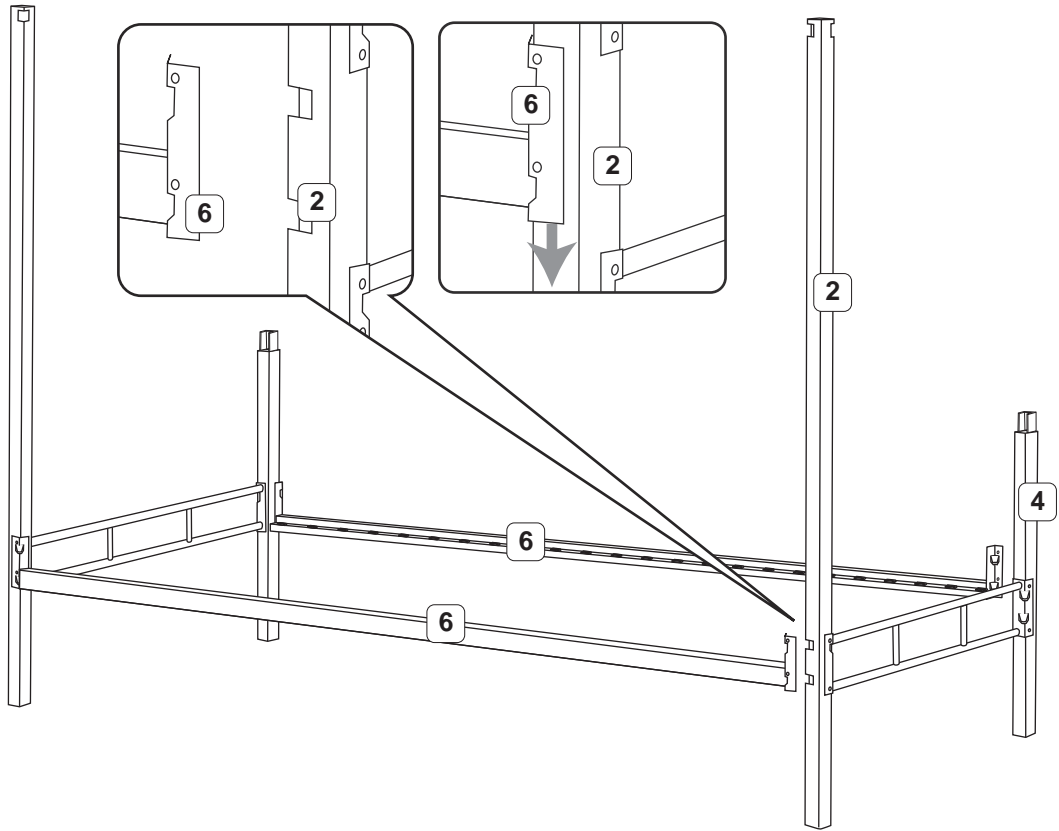
Step 1



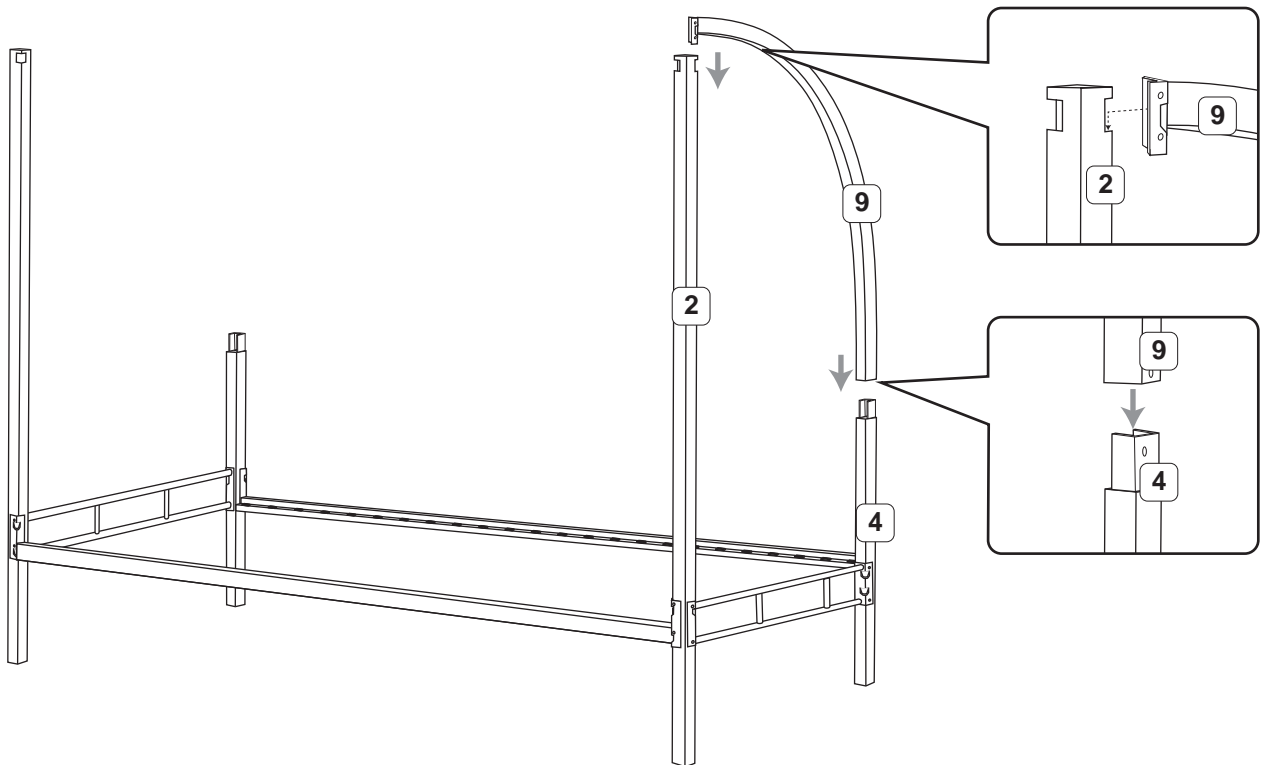
Step 2



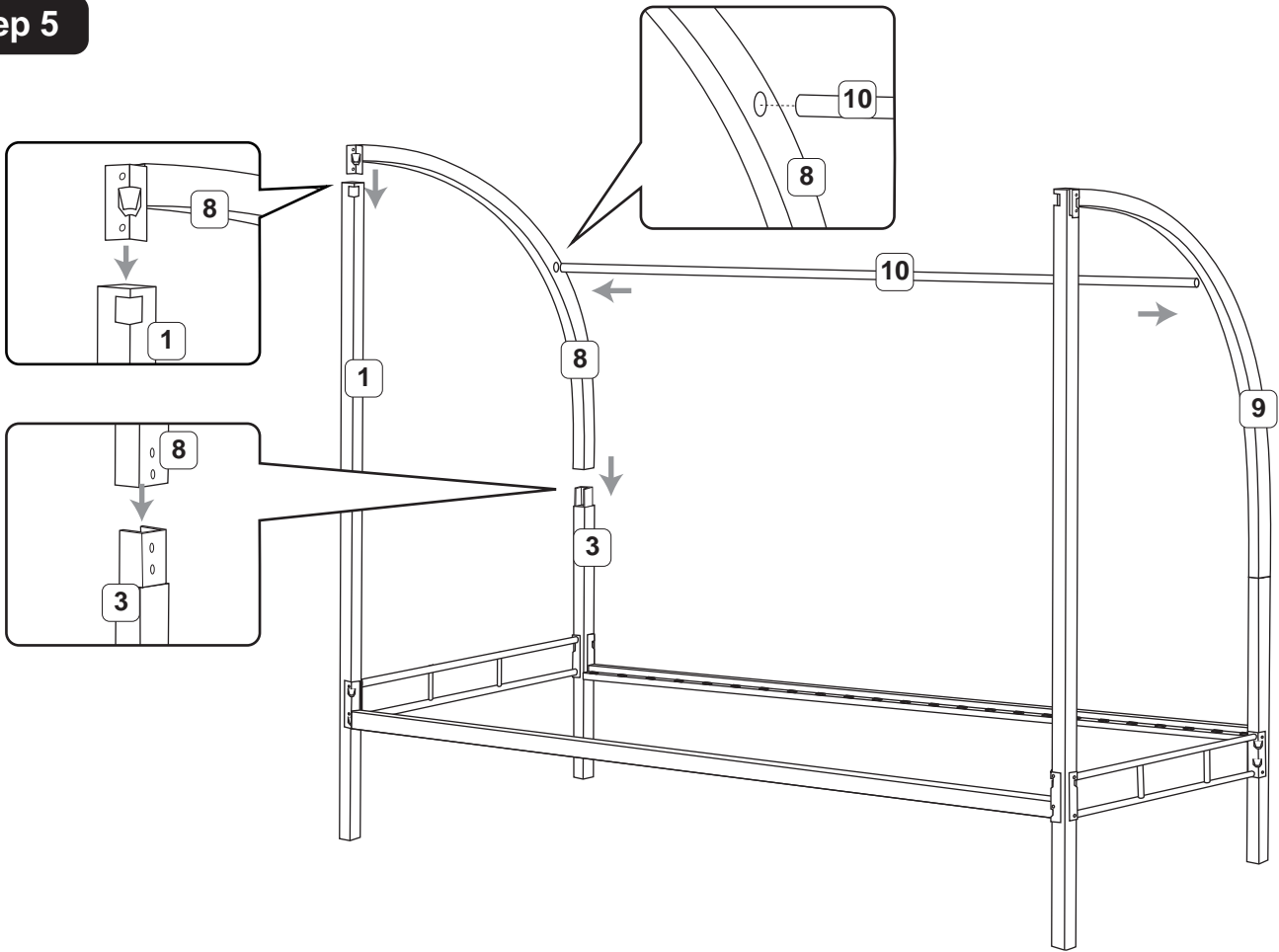
Step 3



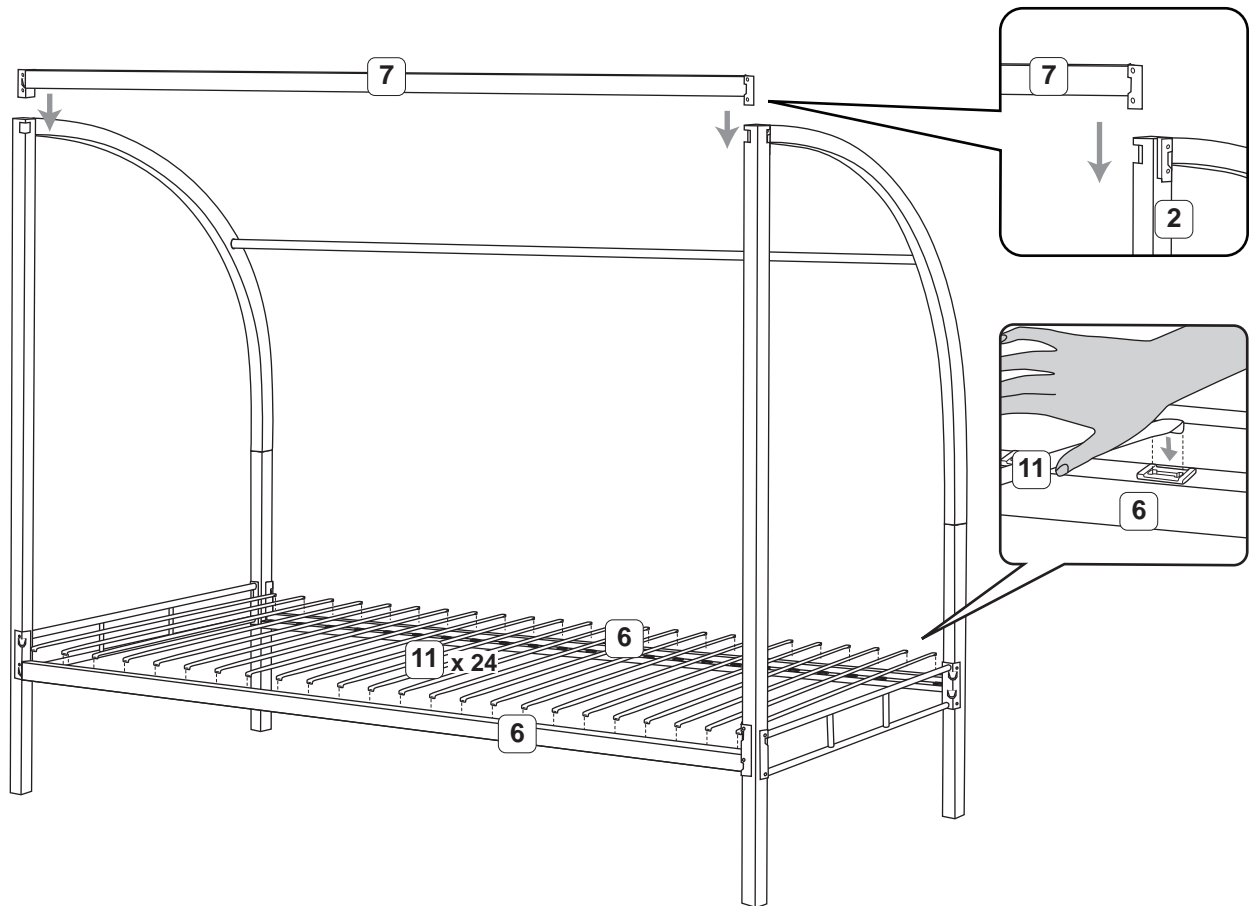
Step 4



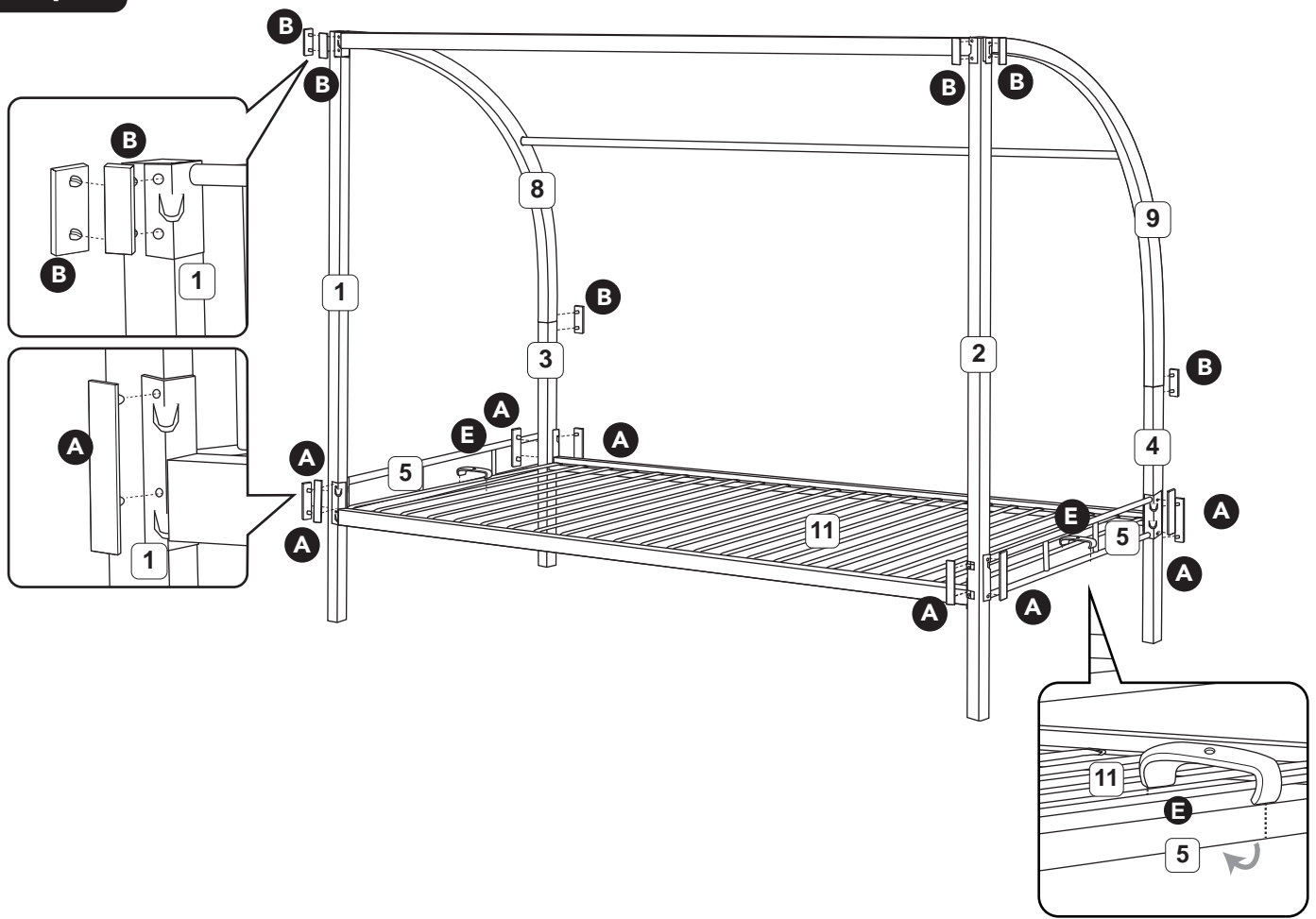
Step 5



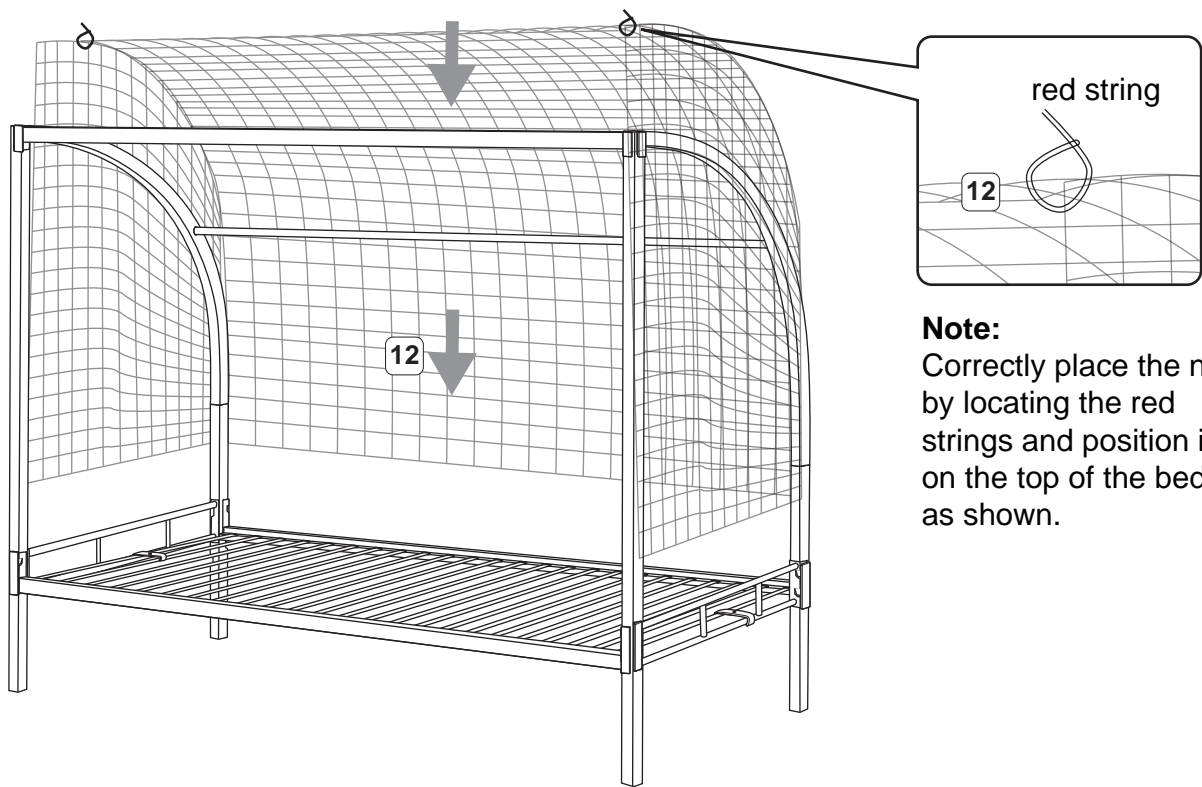
Step 6



Step 7

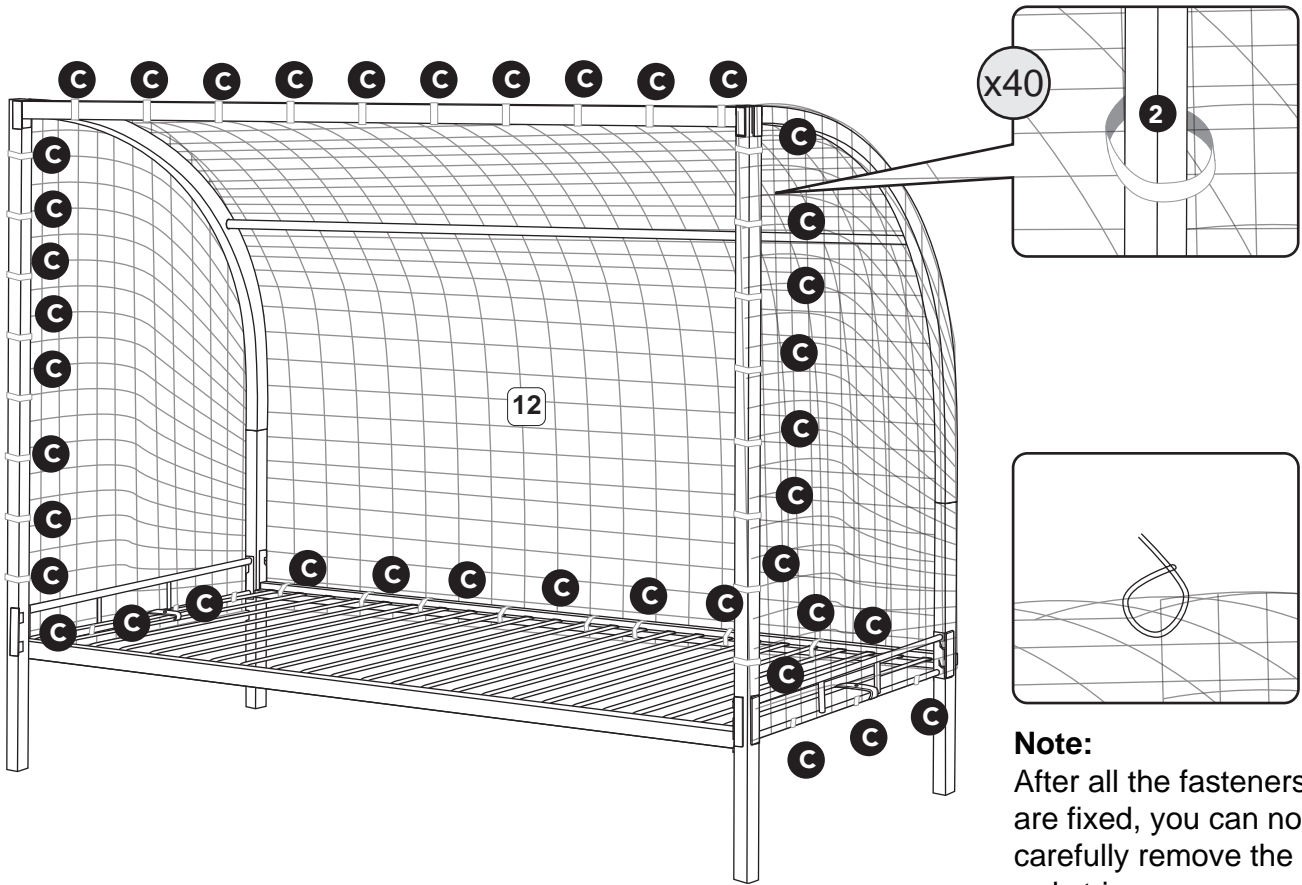


Step 8

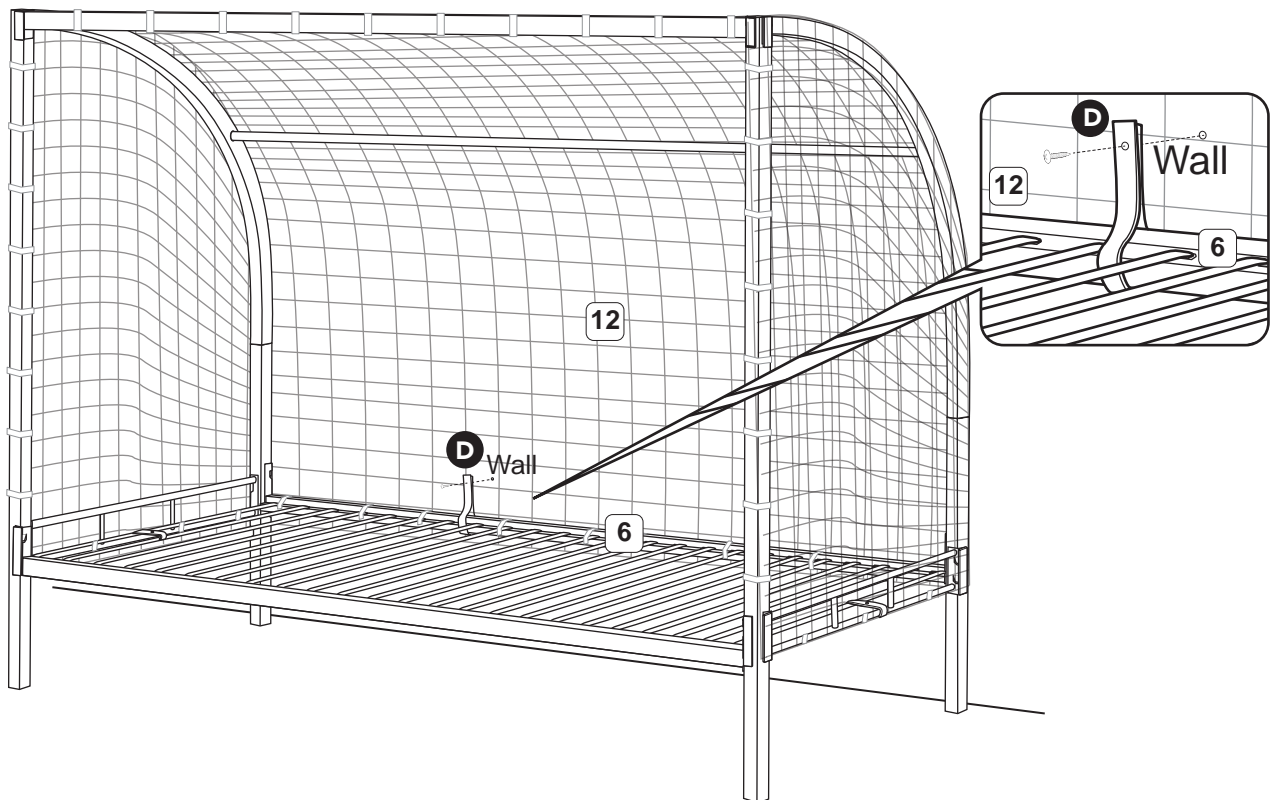


Note:
Correctly place the net by locating the red strings and position it on the top of the bed as shown.

Step 9



Step 10



WARNINGS:

IMPORTANT: READ CAREFULLY

RETAIN FOR FUTURE REFERENCE

- **WARNING:** Beds can present a serious risk of injury from strangulation if not used correctly. Never attach or hang items to any part of the bunk bed that are not designed to be used with the bed, for example, but not limited to ropes, strings, cords, hooks, belts and bags.
- **WARNING:** Do not use the bed if any structural part is broken or missing.
- Always follow the manufacturer's instructions.
- The recommended size of the mattress is L1900 x W900mm.
- Ventilation of the room is necessary in order to keep the humidity low and to prevent mould in and around the bed.
- Assembly instructions including a list of the parts supplied and details of any tools required to assemble the bed are included in the pack.
- The maximum thickness of the mattress is 190mm. Mattress maximum thickness marking on the product are found on the post.
- Check regularly that all assembly fastenings are properly tightened.
- **IMPORTANT WARNING:** If any part of the netting becomes compromised, torn, ripped or damaged in any way this part must be removed or repaired for safety reasons before the bed is re-used.