





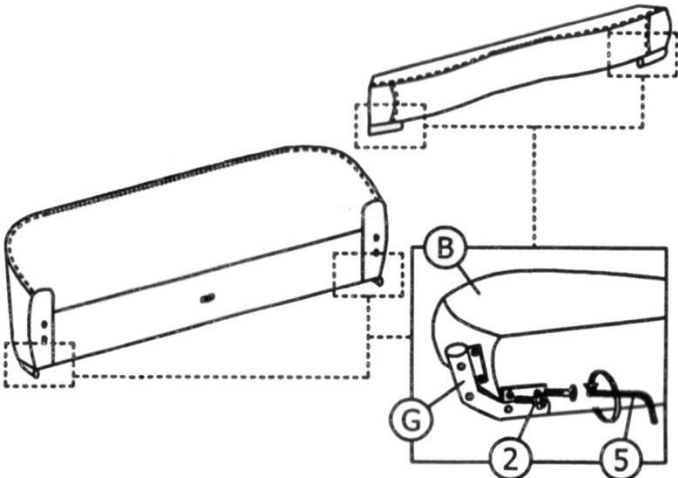


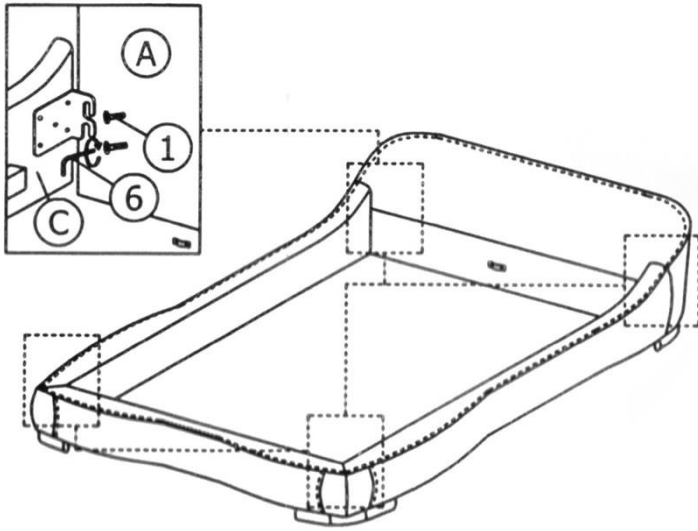


Assembly Instructions

Hardware List	Parts List
1. M8 x 30mm JCBB Screw 8pcs 	A. Headboard 1pc
2. M6 x 20 JCBC Screw 8pcs 	B. Footboard 1pc
3. End slat caps 26pcs 	C. Side rails 2pcs
4. Centre slat caps 13pcs 	D. Centre Rail 1pc
5. M4 Allen Key 1pc 	E. Centre Support legs 2pcs
6. M5 Allen Key 1pc 	F. Slats 26pcs
Note: Please ensure that all hardware is kept out of the reach of children.	Note: Please use the above check list to ensure all hardware is included.

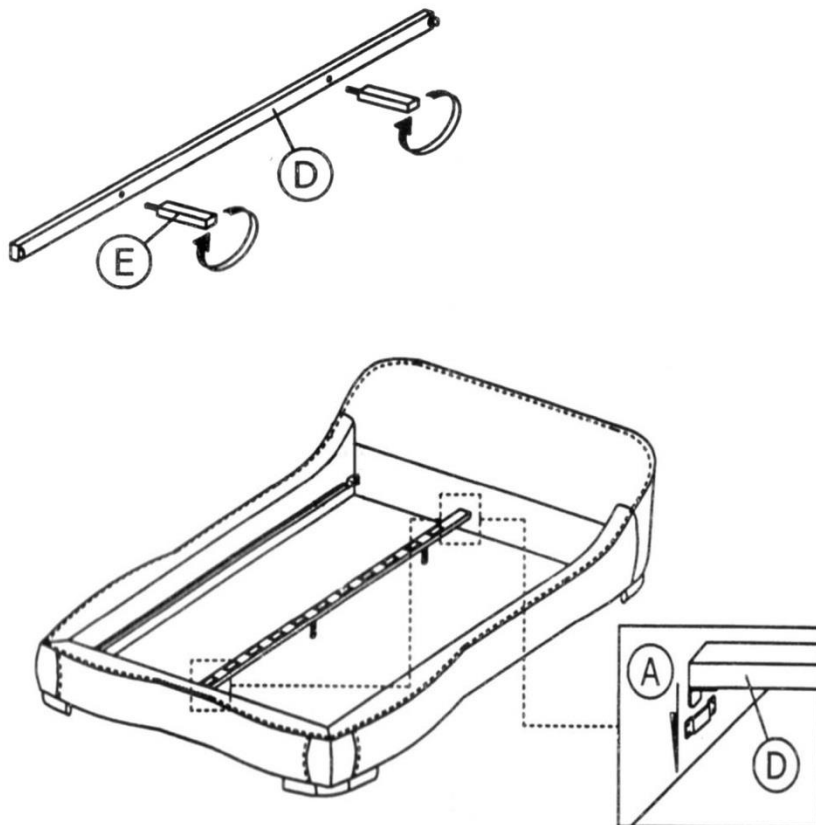
<p data-bbox="92 1406 220 1458">Step 1</p> 	<p data-bbox="831 1417 1513 1637">1.1 Attach the corner feet to the headboard (A) & footboard (B) with the M6 x 20mm screws. Note: There are four holes on each corner foot; however, you will only require two of them. Do not over-tighten the screws as this may cause damage to the thread.</p>
--	--

Step 2



2.1. Attach the side rails (C) to the headboard (A) & footboard (B) with M8 x 30mm screws (1).
Note: Do not fully tighten the screws before assembly is complete. Once completed do not over-tighten the screws as this may cause damage to the thread.

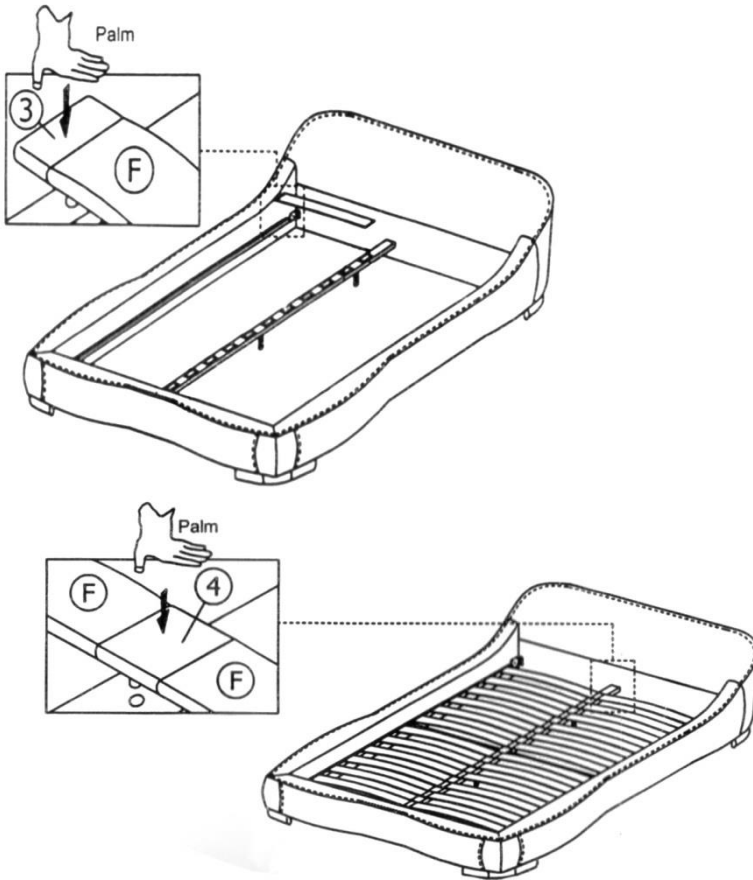
Step 3



3.1 Attach the centre support legs (E) to the centre rail (D) by screwing them into their corresponding holes. **Note: If the bed is dragged or moved the centre support legs may no longer be vertically aligned. You must ensure that in the event of the bed moving the legs are checked to ensure they are aligned. If not this may cause the centre support bar to collapse.**

3.2 Place the centre rail (D) into its corresponding brackets on the headboard (A) and Footboard (B).

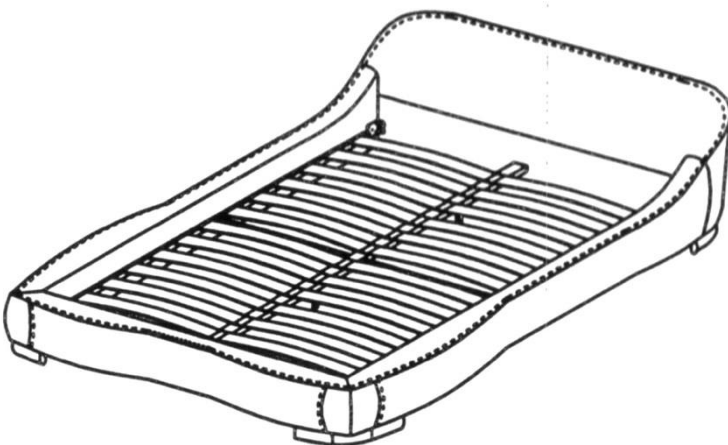
Step 4



4.1 Insert the slats (F) into the end slat cap (3) and fix it to the corresponding holes on the side rail (C).

4.2 Slot the first slat (F) into the centre cap (4) and insert a second slat (F) into the centre cap (4) on the opposite side. Attach an end slat cap (3) to the second slat before pressing the caps into the corresponding holes on the centre rail (D) and side rail (C).

Step 5



5.1. Your new Manhattan bed frame is now complete. Once you have positioned the bed please ensure that the centre support legs are vertically aligned before the mattress is placed on the bed frame.

5.2. To ensure your bed frame remains in optimum condition please periodically check all screws and tighten if necessary.

Any questions? Call our friendly customer service team on (0115) 9702 137
(Open from 9am-5pm Mon-Fri).